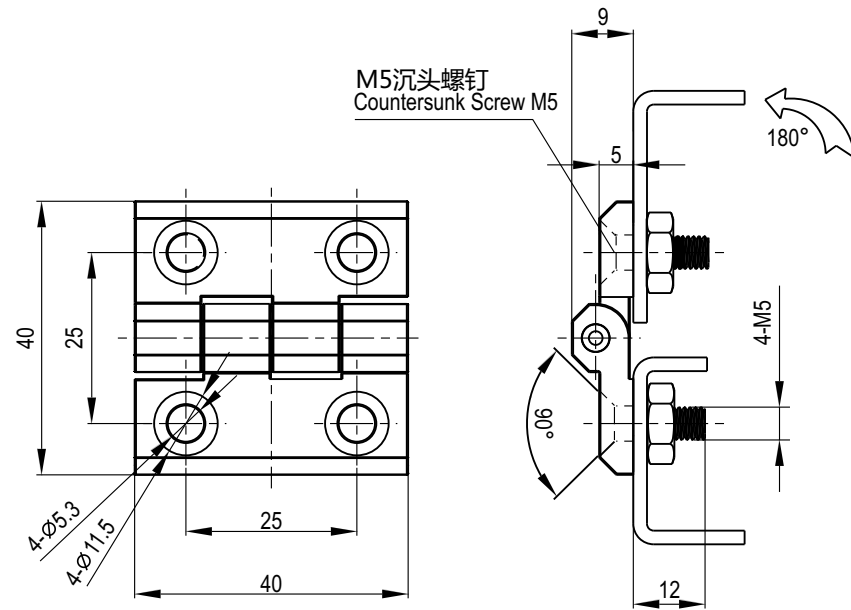
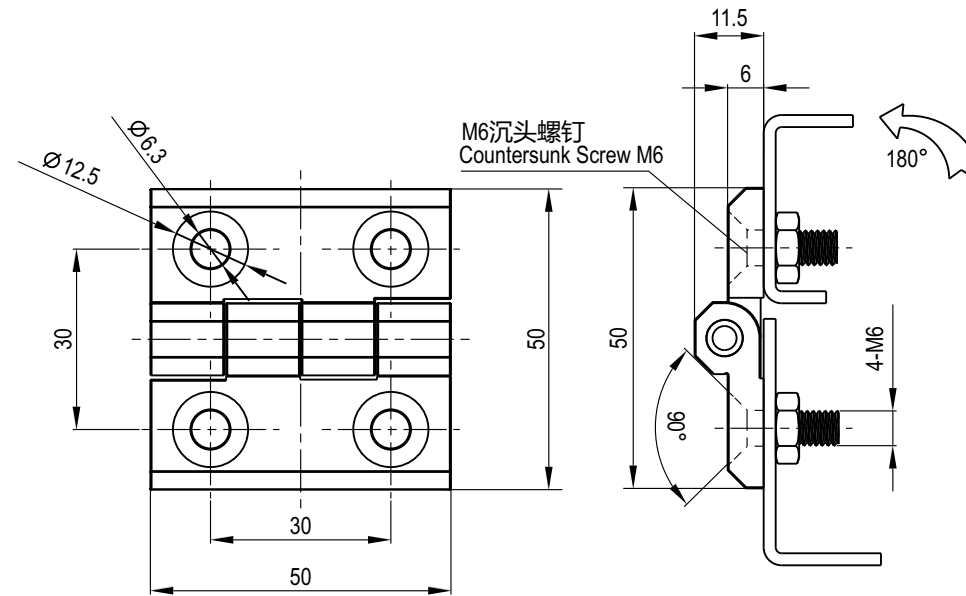


M5 沉头螺钉固定 Countersunk Screw M5

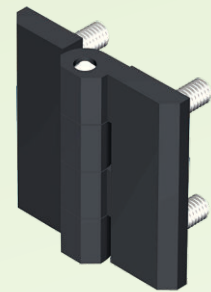
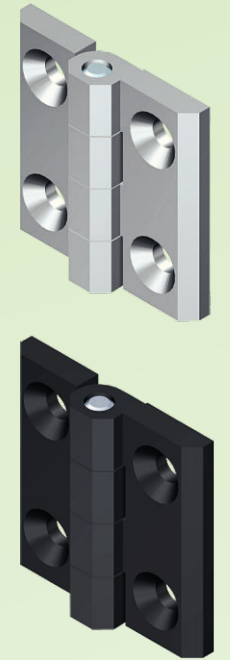


材质可做全不锈钢
SUS material upon request

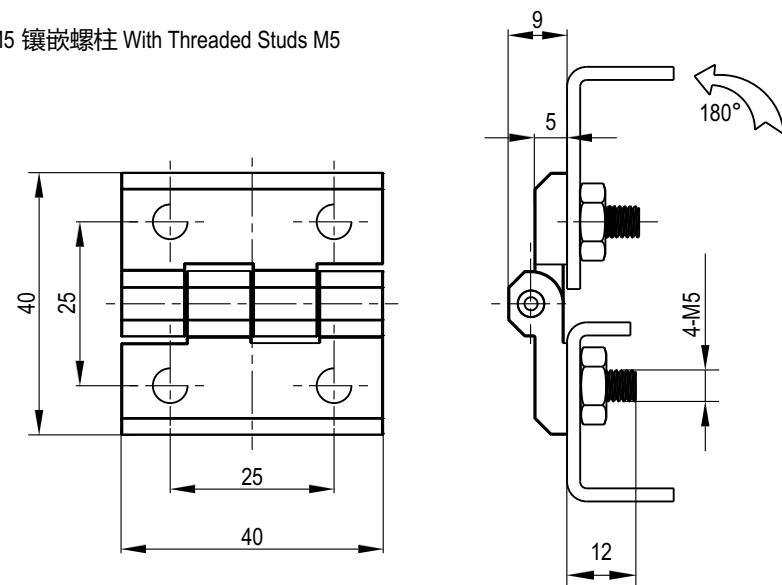
M6 沉头螺钉固定 Countersunk Screw M6



材质可做全不锈钢
SUS material upon request



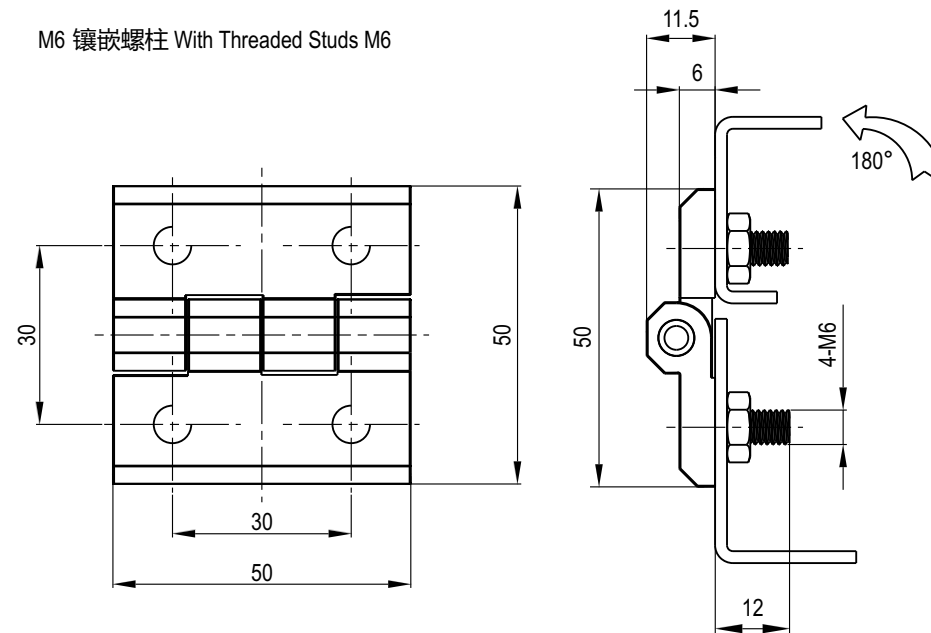
M5 镶嵌螺柱 With Threaded Studs M5



锌合金，镀锌钢或不锈钢销轴和螺柱，表面处理可做喷塑黑和电镀亮铬
Zinc die, m.s. zinc plated or SUS pin and threaded studs, black powder coated or bright chrome

螺钉固定铰链 Screw-on Hinge 40X40		
表面处理 Finish	M5 沉头螺钉固定 Countersunk Screw M5	M5 镶嵌螺柱 With Threaded Studs M5
喷塑黑 Black Powder Coated	2101-400-10	2101-401-20
亮铬 Bright Chrome	2101-400-30	
不锈钢 316 SUS 316	2101-400-316	
喷沙镀铬 Textured Chrome Plated		2101-401-79

M6 镶嵌螺柱 With Threaded Studs M6

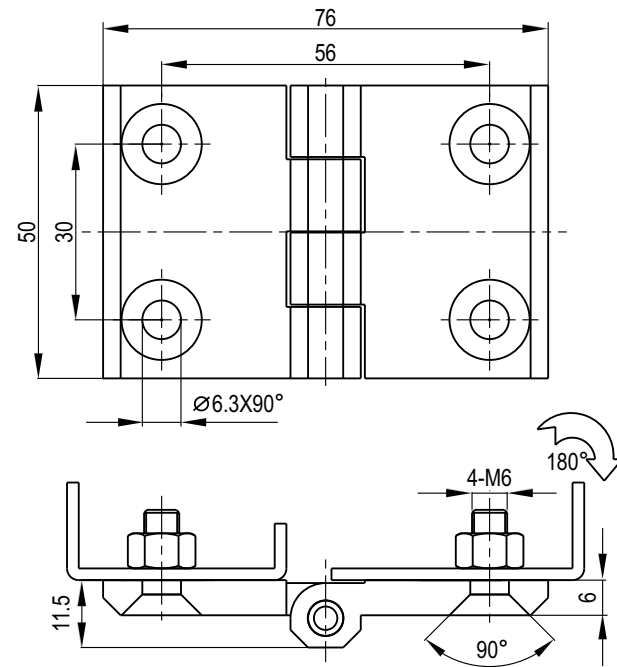


锌合金，镀锌钢或不锈钢销轴和螺柱，表面处理可做喷塑黑和电镀亮铬
Zinc die, m.s. zinc plated or SUS pin and threaded studs, black powder coated or bright chrome

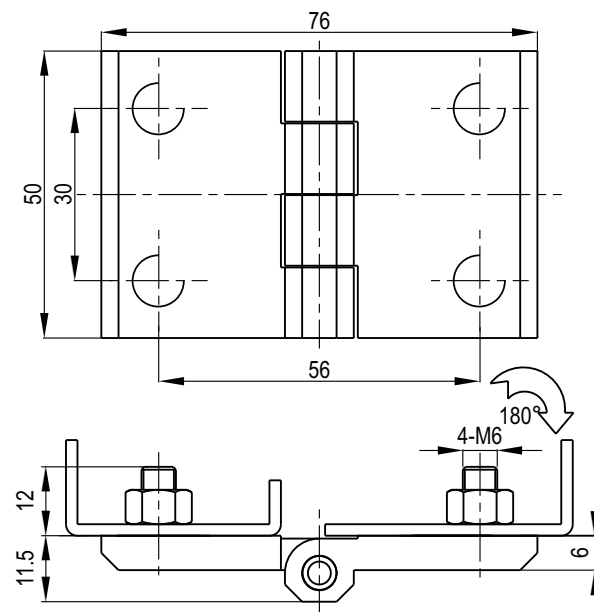
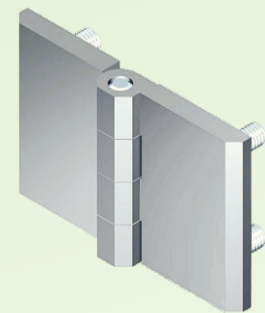
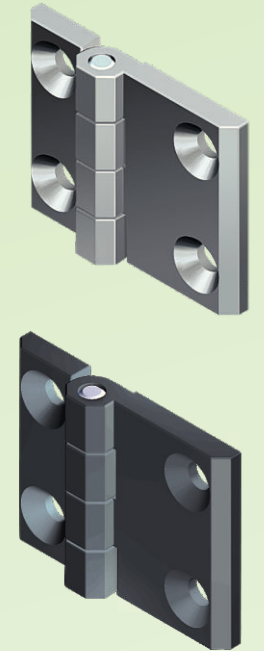
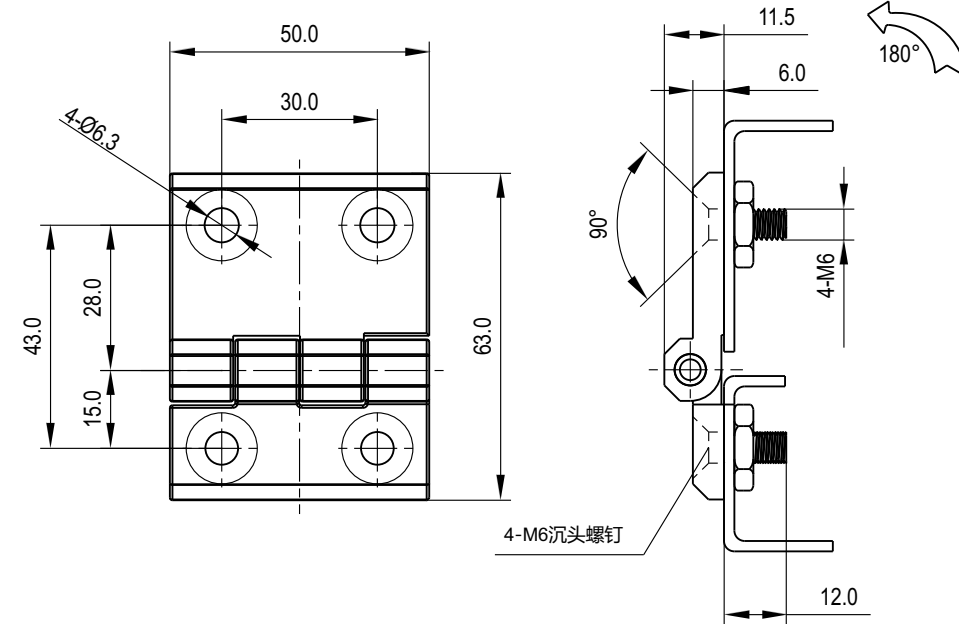
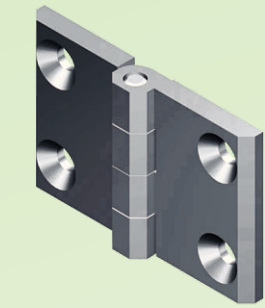
螺钉固定铰链 Screw-on Hinge 50X50		
表面处理 Finish	M6 沉头螺钉固定 Countersunk Screw M6	M6 镶嵌螺柱 With Threaded Studs M6
喷塑黑 Black Powder Coated	2101-500-10	2101-501-20
亮铬 Bright Chrome	2101-500-30	
不锈钢 316 SUS 316	2101-500-316	
喷沙镀铬 Textured Chrome Plated		2101-501-79



M6 沉头螺钉固定 Countersunk Screw M6

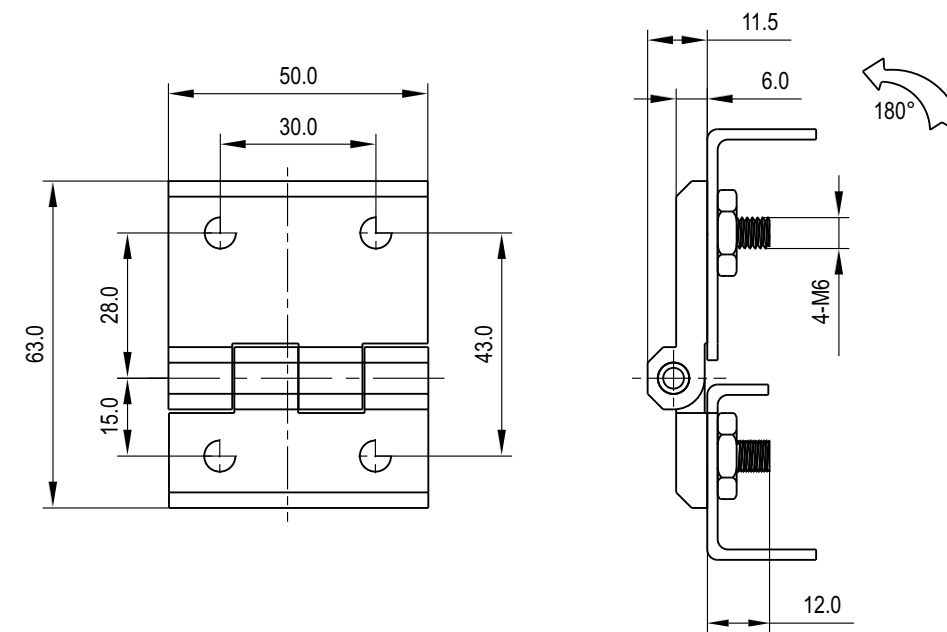


材质可做全不锈钢
SUS material upon request



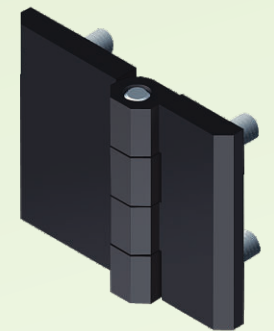
锌合金，镀锌钢或不锈钢销轴和螺柱，表面处理可做喷塑黑和电镀亮铬
Zinc die, m.s. zinc plated or SUS pin and threaded studs, black powder coated or bright chrome.

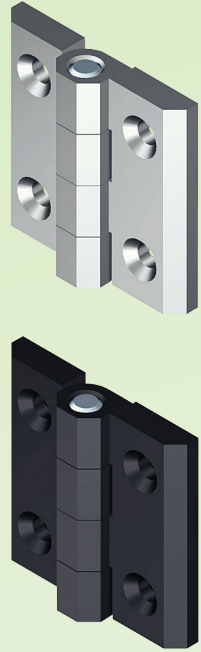
螺钉固定铰链 Screw-on Hinge 50X76		
表面处理 Finish	M6 沉头螺钉固定 Countersunk Screw M6	M6 镶嵌螺柱 With Threaded Studs M6
喷塑黑 Black Powder Coated	2101-576-10	2101-5761-20
亮铬 Bright Chrome	2101-576-30	
不锈钢 316 SUS 316	2101-576-316	
喷沙镀铬 Textured Chrome Plated		2101-5761-79



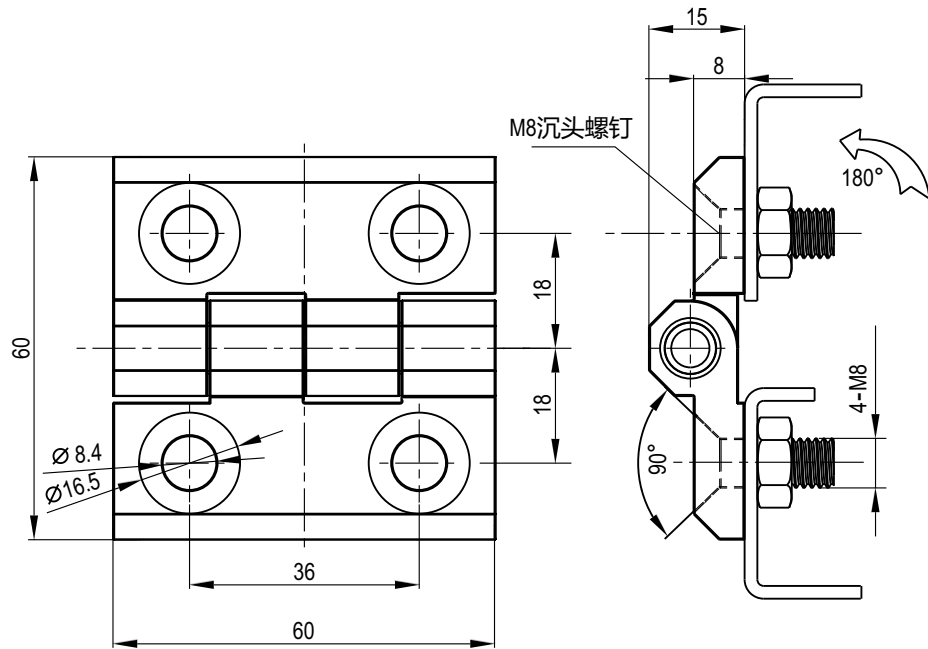
锌合金，镀锌钢或不锈钢销轴和螺柱，表面处理可做喷塑黑和电镀亮铬
Zinc die, m.s. zinc plated or SUS pin and threaded studs, black powder coated or bright chrome.

螺钉固定铰链 Screw-on Hinge		
表面处理 Finish	M6 沉头螺钉固定 Countersunk Screw M6	M6 镶嵌螺柱 With Threaded Studs M6
喷塑黑 Black Powder Coated	2101-563-10	2101-5631-20
亮铬 Bright Chrome	2101-563-30	
不锈钢 316 SUS 316	2101-563-316	
喷沙镀铬 Textured Chrome Plated		2101-5631-79



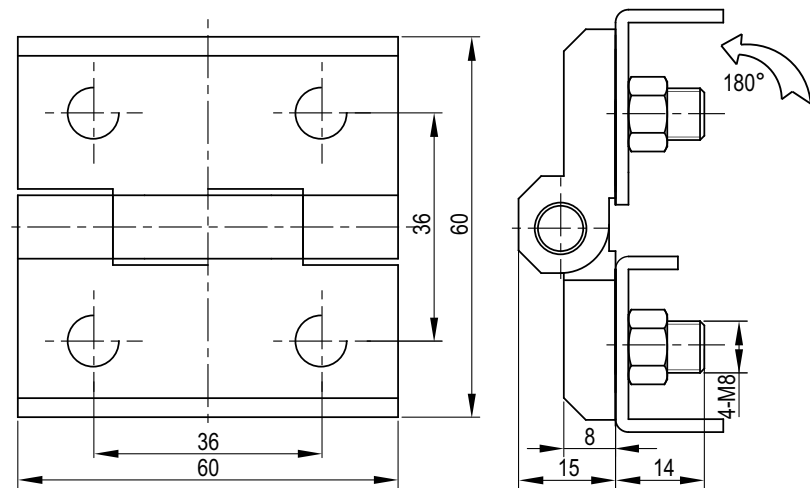


M8 沉头螺钉固定 Countersunk Screw M8



材质可做全不锈钢
SUS material upon request

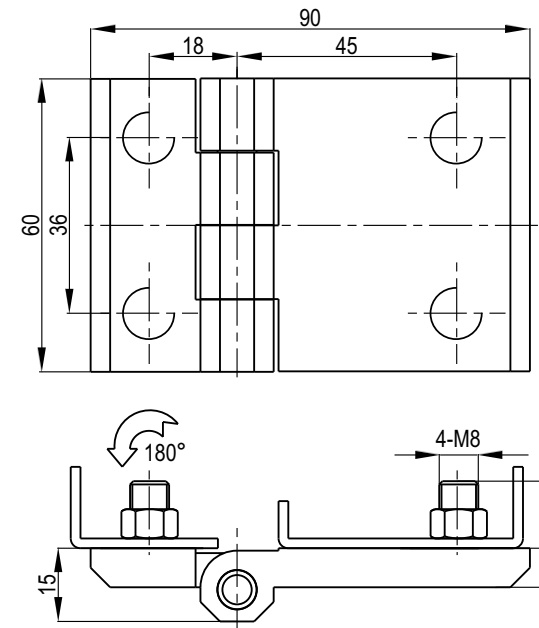
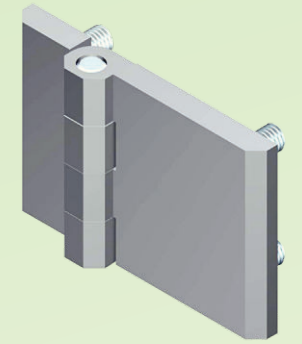
M8 镶嵌螺柱 With Threaded Studs M8



材质可做全不锈钢
SUS material upon request

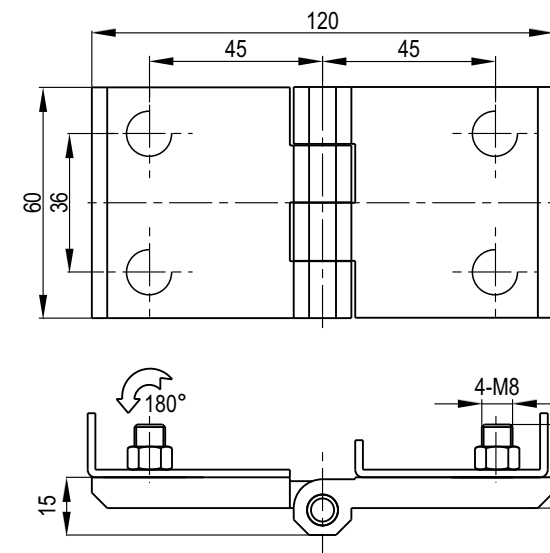
锌合金，镀锌钢或不锈钢销轴和螺柱，表面处理可做喷塑黑和电镀亮铬
Zinc die, m.s. zinc plated or SUS pin and threaded studs, black powder coated or bright chrome

螺钉固定铰链 Screw-on Hinge 60X60		
表面处理 Finish	M8 沉头螺钉固定 Countersunk Screw M8	M8 镶嵌螺柱 With Threaded Studs M8
喷塑黑 Black Powder Coated	2101-600-10	2101-601-20
亮铬 Bright Chrome	2101-600-30	
不锈钢 316 SUS316	2101-600-316	
喷沙镀铬 Textured Chrome Plated		2101-601-79



螺钉固定铰链 Screw-on Hinge 60X90

螺钉固定铰链 Screw-on Hinge 60X90	
表面处理 Surface	M8 镶嵌螺柱 With Threaded Studs M8
麻面黑 Black Textured Powder Coated	2101-691-20
喷沙镀铬 Textured Chrome Plated	2101-691-79

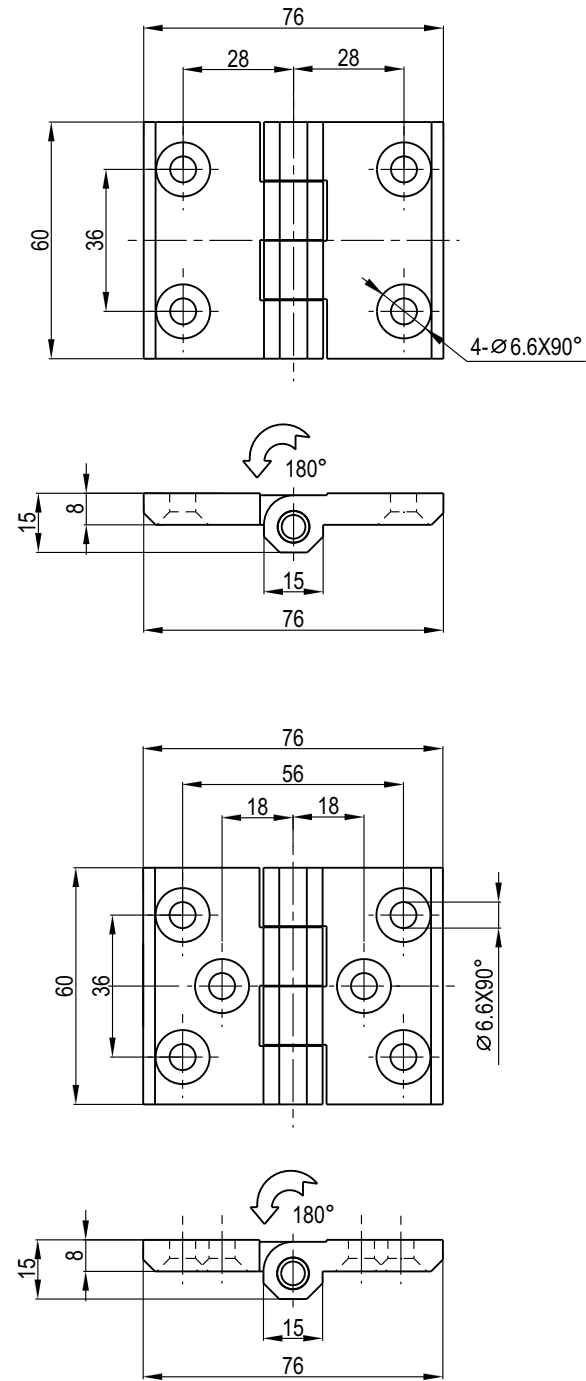


锌合金，镀锌钢或不锈钢销轴和螺柱，表面处理可做喷塑黑和电镀亮铬
Zinc die, m.s. zinc plated or SUS pin and threaded studs, black powder coated or bright chrome

螺钉固定铰链 Screw-on Hinge 60X120	
表面处理 Finish	M8 镶嵌螺柱 With Threaded Studs M8
麻面黑 Black Textured Powder Coated	2101-61201-20
喷沙镀铬 Textured Chrome Plated	2101-61201-79

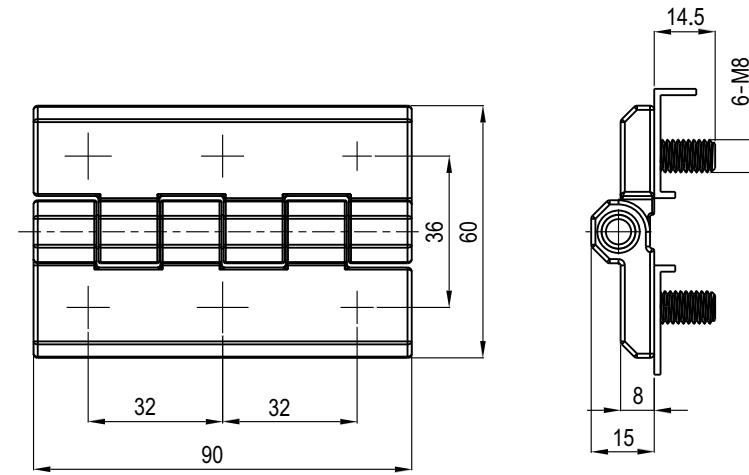
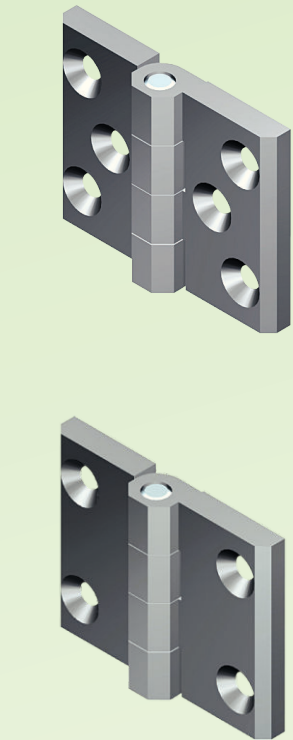


M6 沉头螺钉固定 Countersunk Screw M6



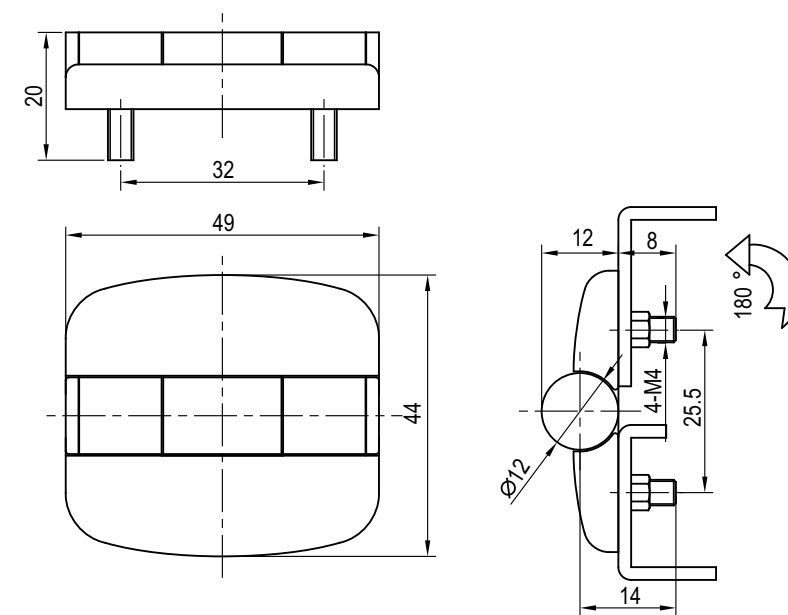
锌合金, 镀锌钢或不锈钢销轴表面处理可做喷塑黑和电镀亮铬, 材质可做全不锈钢
Zinc die, m.s. zinc plated or SUS pin, black powder coated or bright chrome, SUS material upon request

螺钉固定铰链 Screw-on Hinge 60X76		
表面处理 Finish	四个 M6 沉头螺丝孔 4 Countersunk Screw hole M6	六个 M6 沉头螺丝孔 6 Countersunk Screw hole M6
喷塑黑 Black Powder Coated	2101-6764-10	2101-6766-10
亮铬 Bright Chrome	2101-6764-30	2101-6766-30



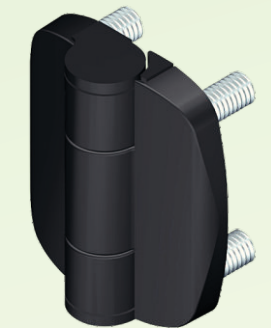
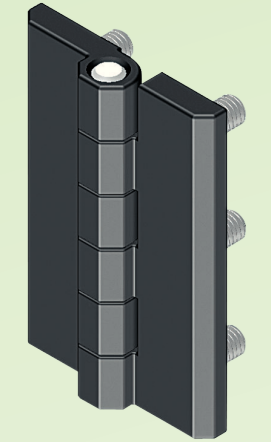
锌合金, 镀锌钢或不锈钢销轴和螺柱, 表面处理可做喷塑黑和喷沙镀铬
Zinc die, m.s. zinc plated or SUS pin and threaded studs, black powder coated or textured chrome plated

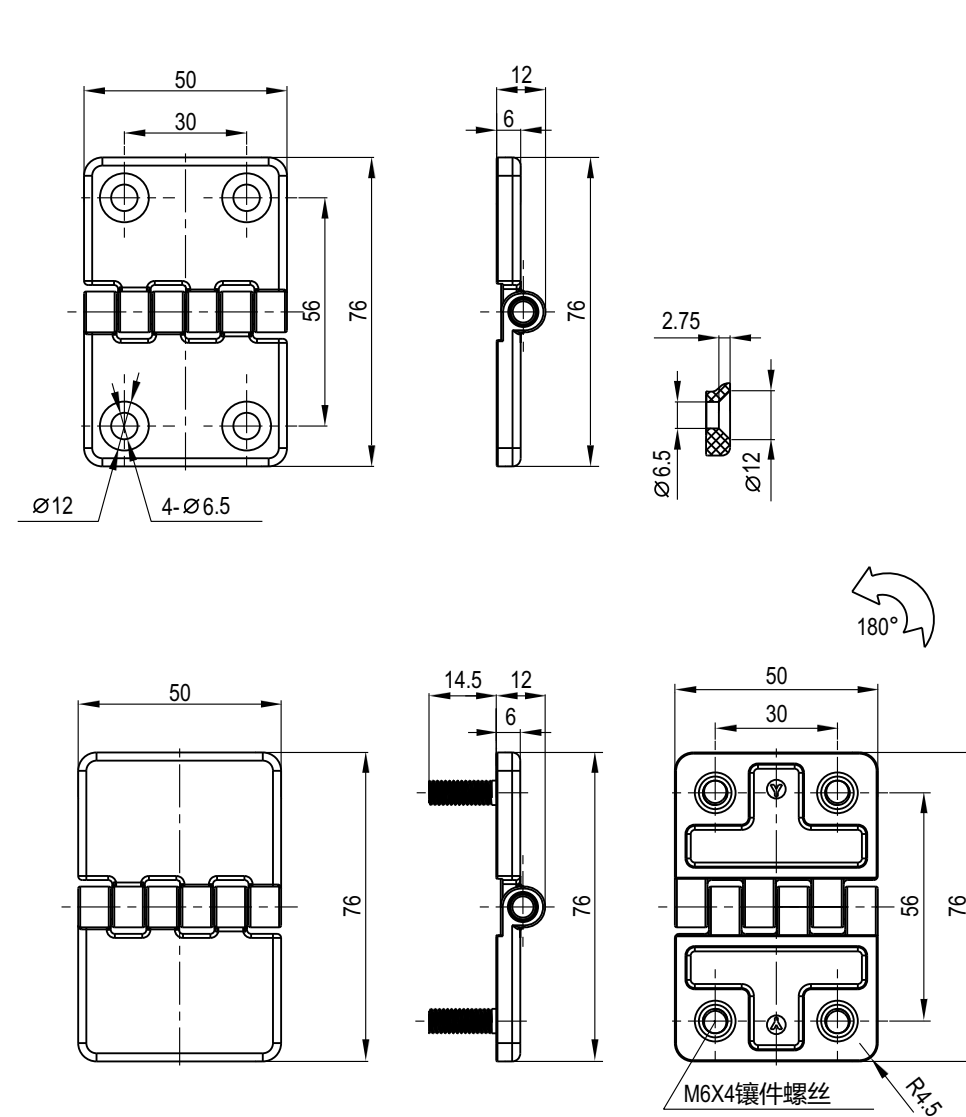
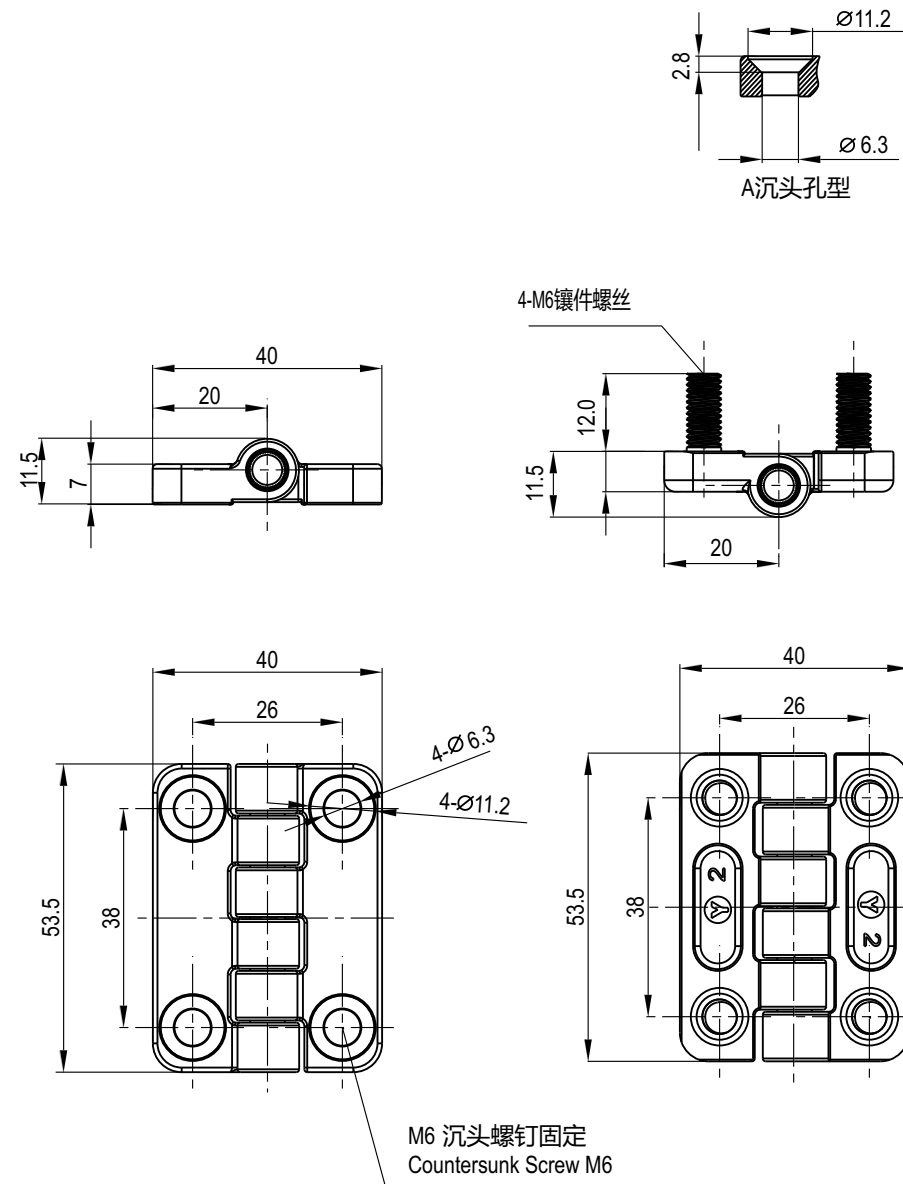
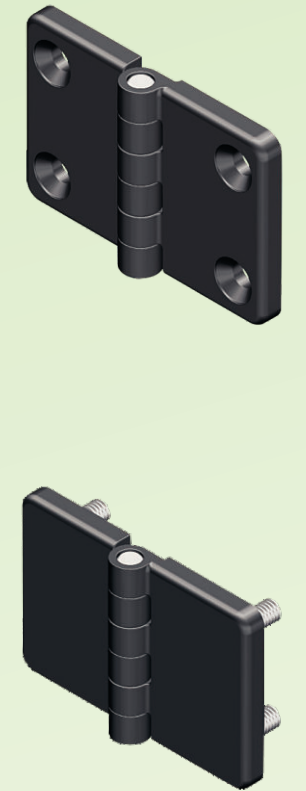
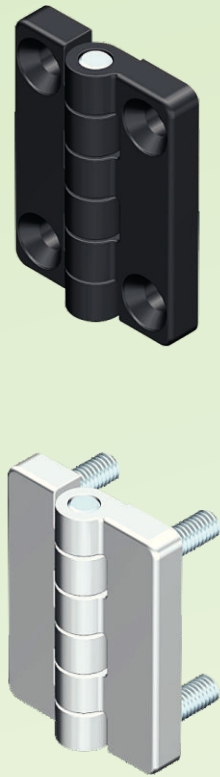
螺钉固定铰链 Screw-on Hinge 90X60		
	M8 镶嵌螺柱 With Threaded Studs M8	
表面处理 Finish	左开 Left	右开 Right
喷塑黑 Black Powder Coated	2101-961-20L	2101-961-20R
喷沙镀铬 Textured chrome plated	2101-961-79L	2101-961-79R



乙缩醛和尼龙黑
Nylon black hinge leaves & covers, acetal black hinge pin and pin insert

自由摆动 Free-Swinging	定位控制120度, 170度 Detented open angle
2104-0-90	2104-5-90



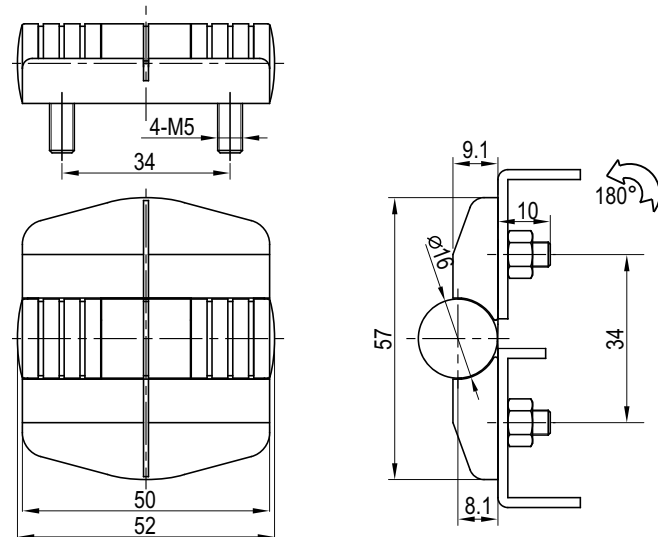
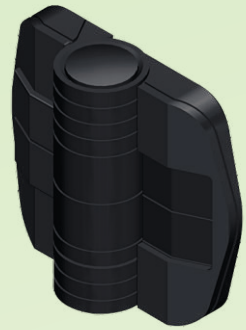


锌合金, 镀锌钢或不锈钢销轴和螺柱, 表面处理可做喷塑黑和电镀亮铬
Zinc die, m.s. zinc plated or SUS pin and threaded studs, black powder coated or bright chrome

锌合金, 镀锌钢或不锈钢销轴和螺柱, 表面处理可做喷塑黑和电镀亮铬
Zinc die, m.s. zinc plated or SUS pin and threaded studs, black powder coated or chrome bright

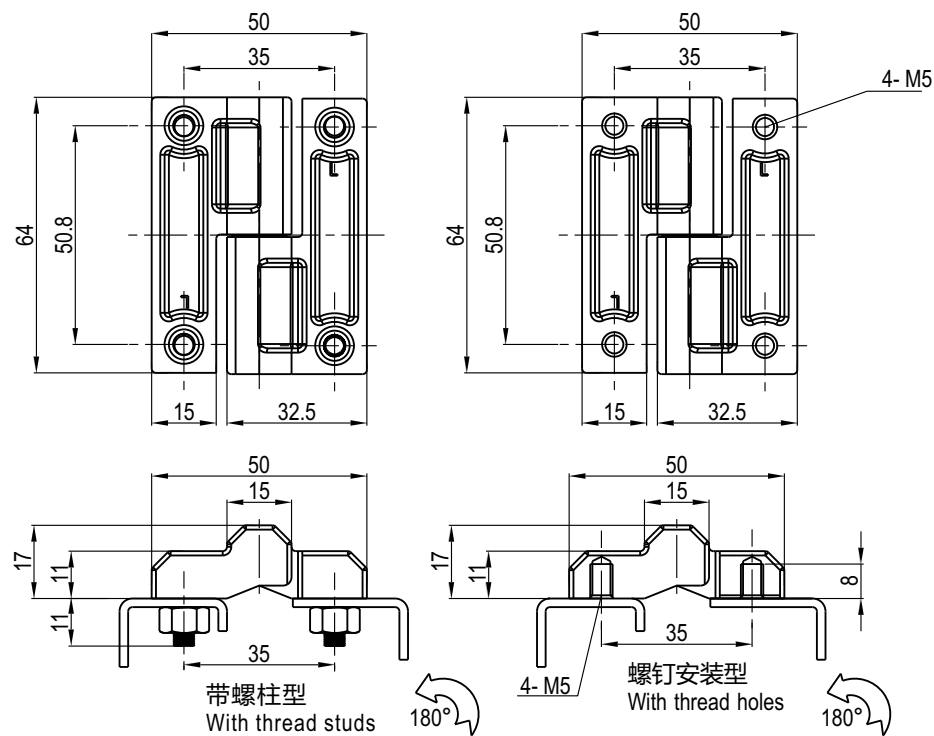
螺钉固定铰链 Screw-on Hinge		
表面处理 Finish	M6 沉头螺钉固定 Countersunk Screw M6	M6 镶嵌螺柱 With Threaded Studs M6
喷塑黑 Black Powder Coated	2102-540-10	2102-541-20
亮铬 Bright Chrome	2102-540-30	
喷沙镀铬 Textured Chrome Plated		2102-541-79

螺钉固定铰链 Screw-on Hinge		
表面处理 Finish	M6 沉头螺钉固定 Countersunk Screw M6	M6 镶嵌螺柱 With Threaded Studs M6
喷塑黑 Black Powder Coated	2102-760-10	2102-761-20
亮铬 Bright Chrome	2102-760-30	
喷沙镀铬 Textured Chrome Plated		2102-761-79



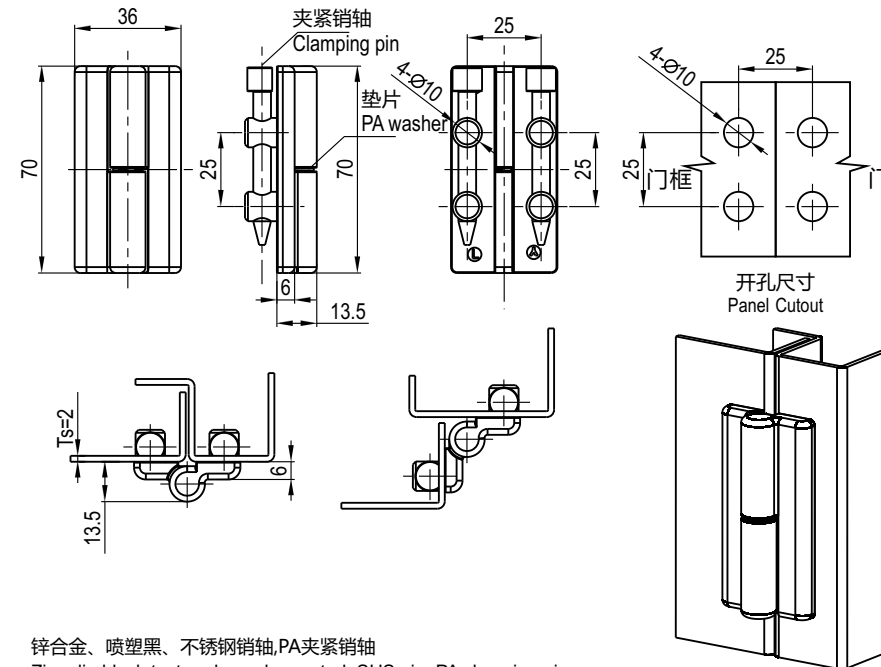
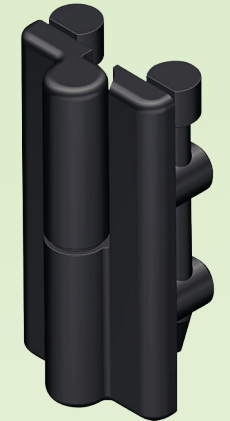
乙缩醛和尼龙黑
Nylon black hinge leaves & covers, acetal black hinge pin and pin insert

自由摆动 Free-Swinging		2105-0-90	
定位扭矩 Positioning Torque N.M	80°定位 Detented open angle: 80°	115°定位 Detented open angle: 115°	150°定位 Detented open angle: 150°
0.7	2105-08007-90	2105-11507-90	2105-1507-90
1.1	2105-08011-90	2105-11511-90	2105-15011-90
1.7	2105-08017-90	2105-11517-90	2105-15017-90



锌合金，镀锌钢或不锈钢销轴和螺柱，表面处理可做喷塑黑和电镀
Zinc die, m.s. zinc plated or SUS pin and threaded studs, black powder coated or bright chrome.

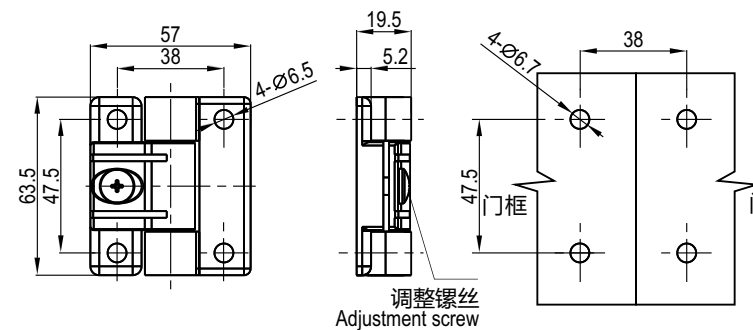
	带螺柱型 With thread studs	带螺孔型 With thread hole
A型 (左装) Version A (left)	2106-501-L20	2106-500-L10
B型 (右装) Version B (Right)	2106-501-R20	2106-500-R10



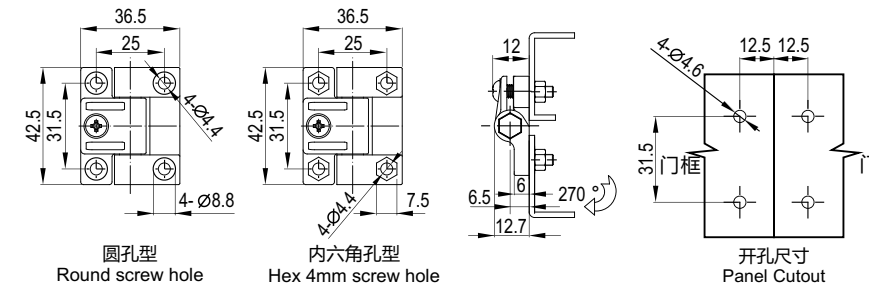
锌合金、喷塑黑、不锈钢销轴, PA夹紧销轴
Zinc die, black textured powder coated, SUS pin, PA clamping pin

左装型 Left side	2107-L
右装型 Right side	2107-R

大型 Large Size

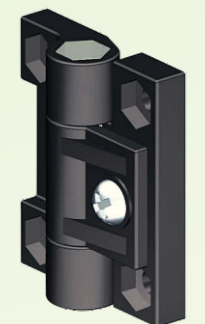


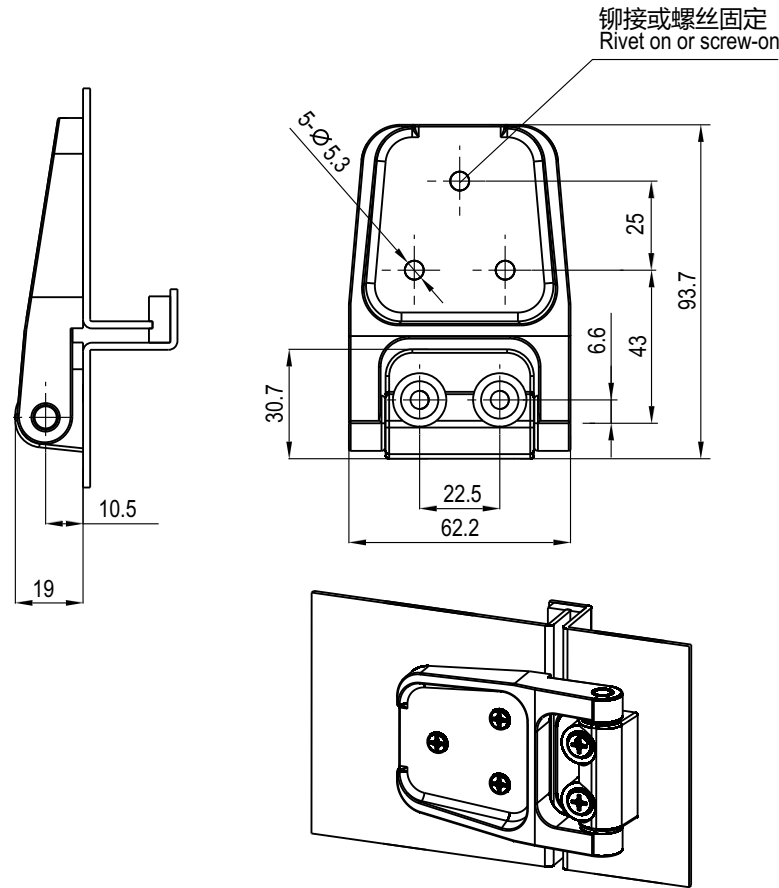
小型 Small Size



铰链叶片：乙缩醛 销轴：聚碳酸酯 调整螺钉和螺母：不锈钢
Hinge Leaves: Acetal Hinge Pin: Polycarbonate Adjustment screw & nut: stainless steel

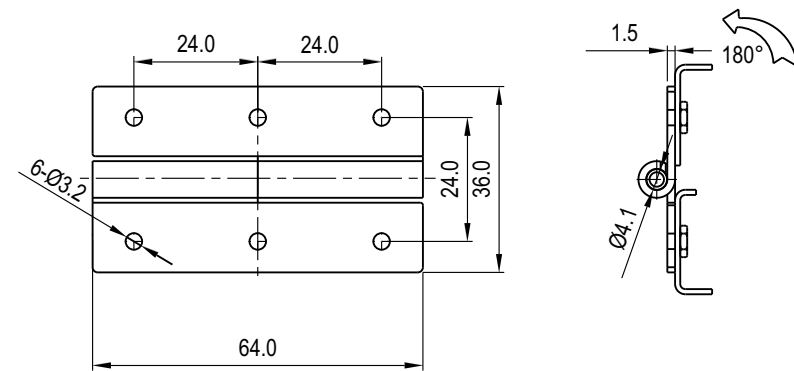
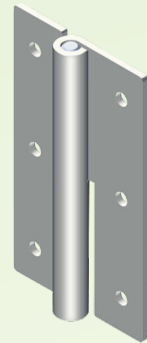
	黑色 Black		乳白色 White	
	圆孔型 Round screw hole	内六角孔型 Hex 4mm screw hole	圆孔型 Round screw hole	内六角孔型 Hex 4mm screw hole
大型 Large Size	2112-01-BR	2112-01-BS	2112-01-WR	2112-01-WS
小型 Small Size	2112-02-BR	2112-02-BS	2112-02-WR	2112-02-WS





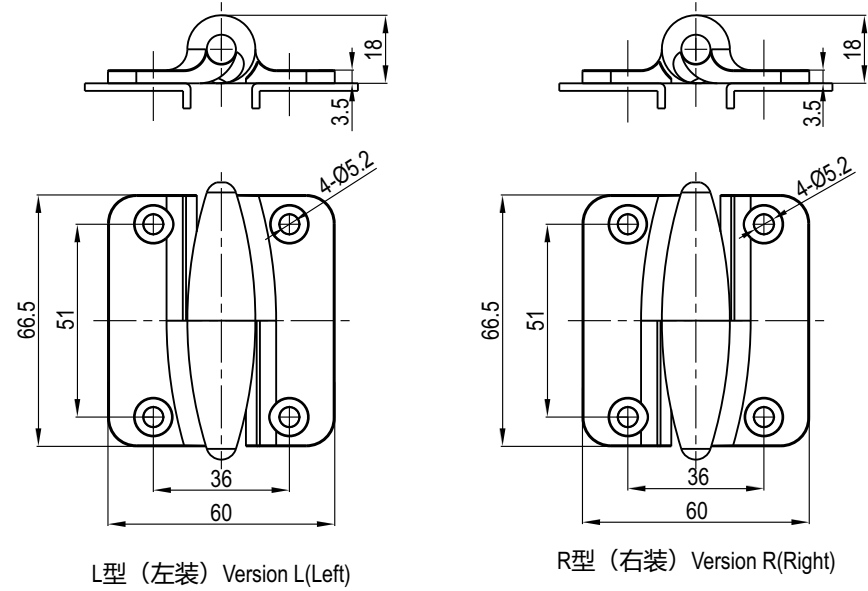
黑色PA+GF 铰链、镀锌钢销轴
Hinge polyamide GF 30% black, m.s. zinc plated pin

2113-01



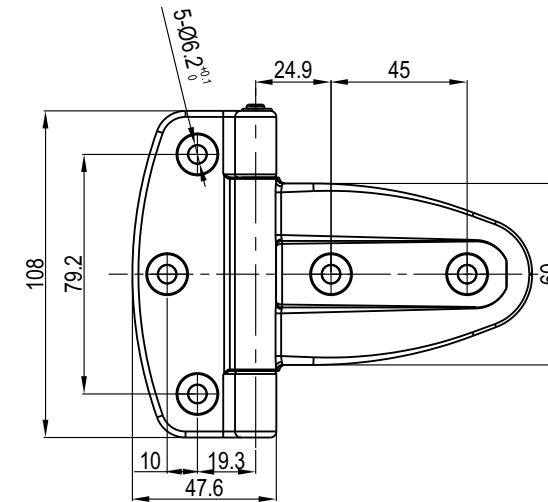
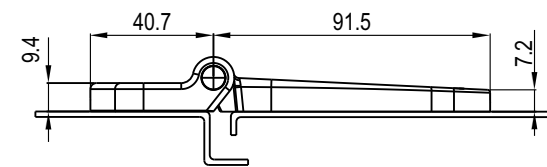
镀锌钢或不锈钢
M.S. zinc plated or stainless steel

螺钉固定铰链 64X32 Screw-on Hinge 64X32		
	左开 Left	右开 Right
不锈钢 304 SUS 304	2114-01-304L	2114-01-304R
铁镀锌 M.S.Zinc Plated	2114-01-01L	2114-01-01R



锌合金, 镀锌钢或不锈钢销轴, 表面可做喷塑黑和电镀
zinc die, m. s. zinc plated or SUS pin, black powder coated or bright chrome

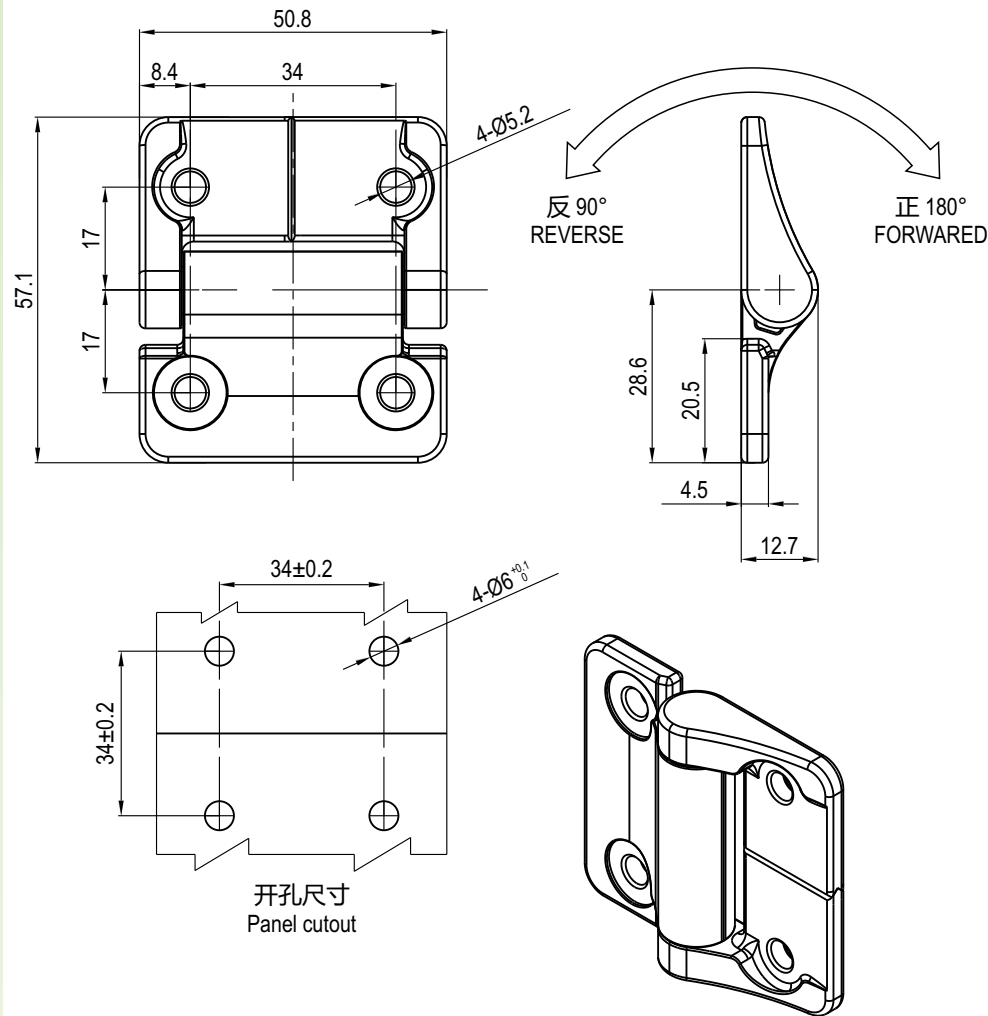
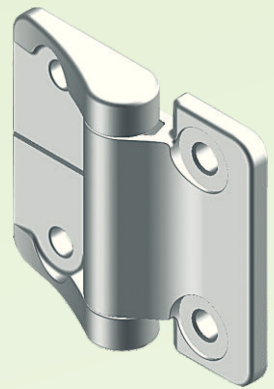
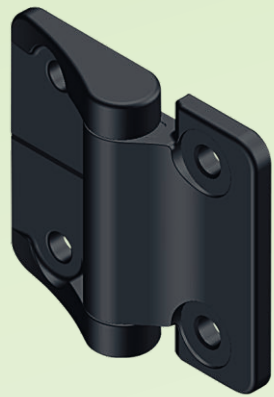
螺钉固定铰链 60X70 Screw-on Hinge 60X70		
表面处理 Finish	左装 Left	右装 Right
喷塑无光黑 Black Smooth Powder Coated	2115-76604-10L	2115-76604-10R
亮铬 Bright Chrome	2115-76604-30L	2115-76604-30R



黑色PA+GF 铰链、不锈钢销轴
Hinge polyamide GF 30% black, stainless steel pin

螺钉固定铰链 Screw-on Hinge	2116-01-90
-----------------------	------------

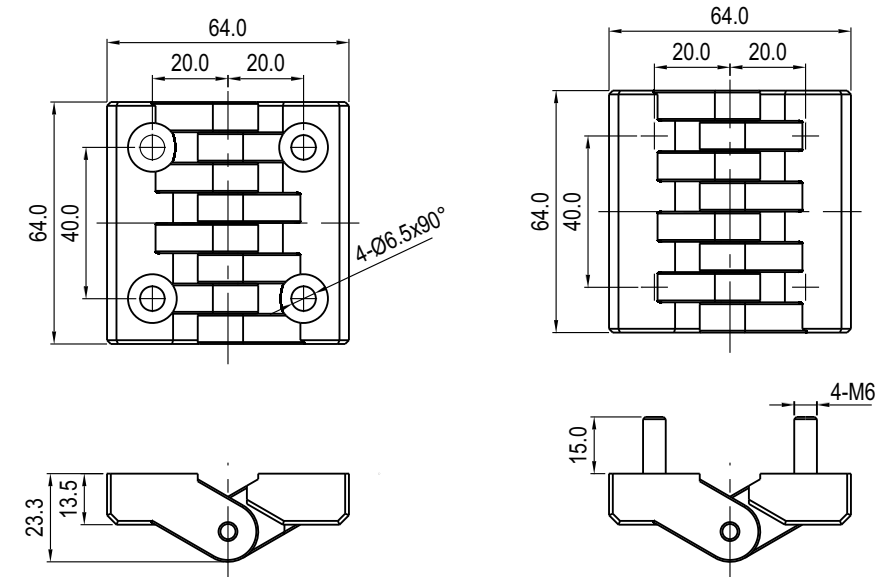




锌合金阻尼铰链，不锈钢销轴
Zinc screw-in torque hinge, SUS pin

对称扭矩 N.m Symmetric N.m			
	麻面黑 Black Textured Powder Coated	本色 Natural	
自由摆动 Free Operating	2118-100-20	2118-100-11	
1.8	2118-118-20	2118-118-11	
2.3	2118-123-20	2118-123-11	
3.4	2118-134-20	2118-134-11	
不对称扭矩 N.m Asymmetric N.m			
向前扭矩 N.m Forward Torque N.m	反向扭矩 N.m Reverse Torque N.m	麻面黑 Black Textured Powder Coated	本色 Natural
2.3	1.4	2118-123F-20	2118-123F-11
3.4	2.0	2118-134F-20	2118-134F-11
4.5	2.7	2118-145F-20	2118-145F-11
1.4	2.3	2118-114R-20	2118-114R-11
2.0	3.4	2118-120R-20	2118-120R-11
2.7	4.5	2118-127R-20	2118-127R-11

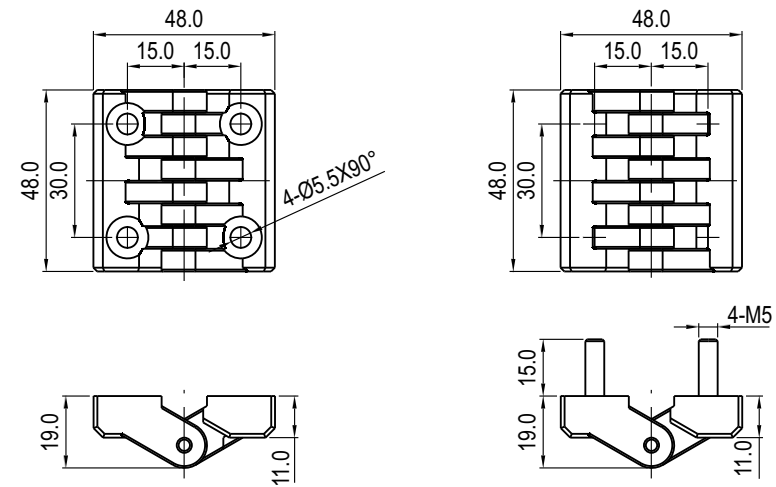
大型
Large size



黑色PA螺钉固定铰链，镀锌钢销轴
Screw-on hinge polyamide GF black, pin m.s. zinc plated

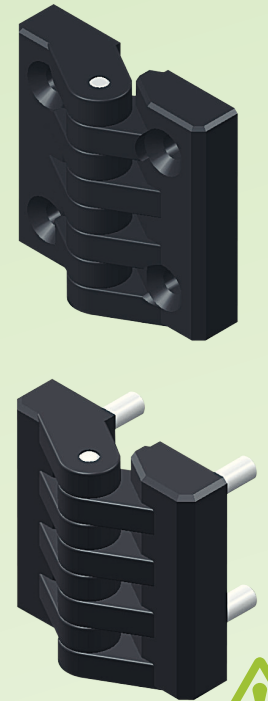
螺钉固定铰链64X64 Screw-on Hinge 64X64	
M6 沉头螺钉固定 Countersunk Screw M6	M6 镶嵌螺柱 With Threaded Studs M6
2120-640-90	2120-641-90

小型
Small size

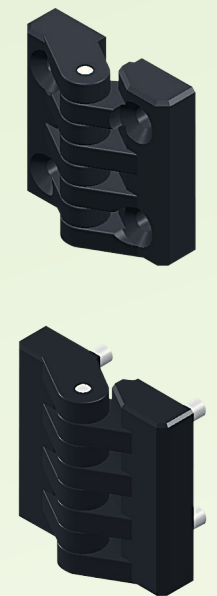


黑色PA螺钉固定铰链，镀锌钢销轴
Screw-on hinge polyamide GF black, pin m.s. zinc plated

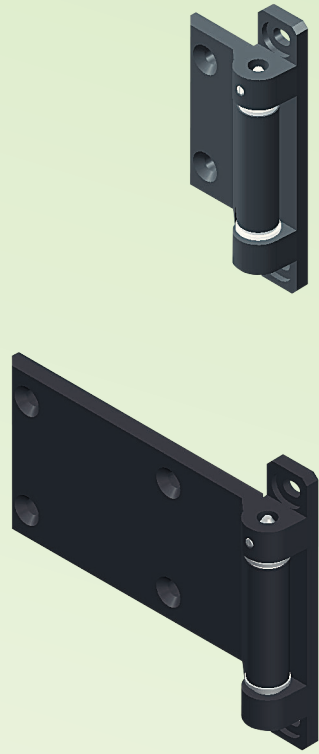
螺钉固定铰链48X48 Screw-on Hinge 48X48	
M5 沉头螺钉固定 Countersunk Screw M5	M5 镶嵌螺柱 With Threaded Studs M5
2120-480-90	2120-481-90



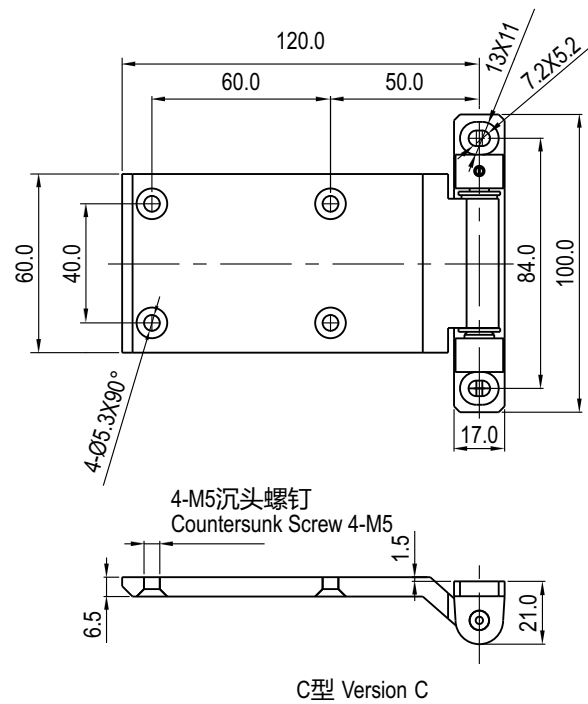
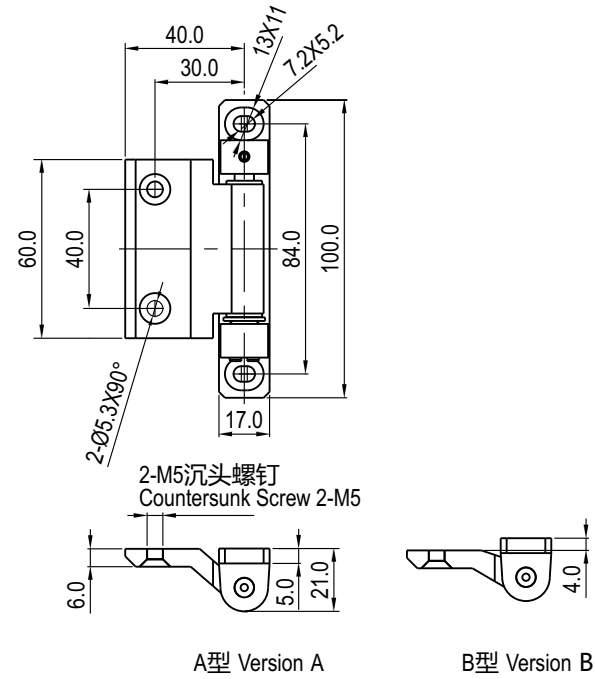
产品正在开发中
18年6月份开始供货
Under development,
shall be available on
June, 2018.



产品正在开发中
18年6月份开始供货
Under development,
shall be available on
June, 2018.

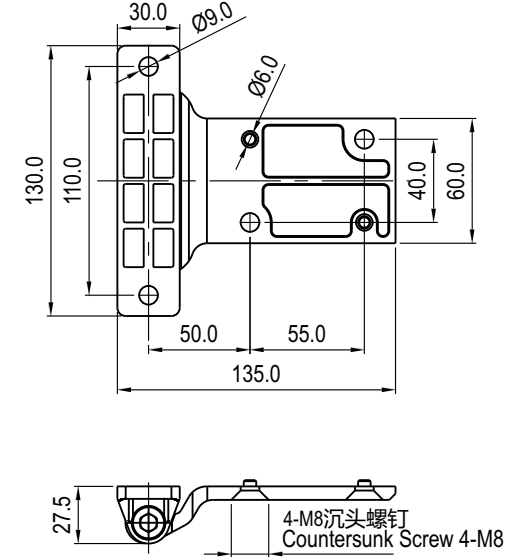
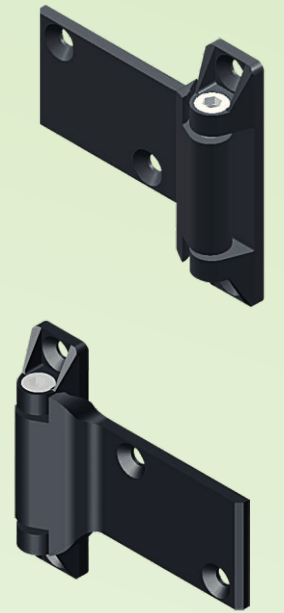


2121-ABC型



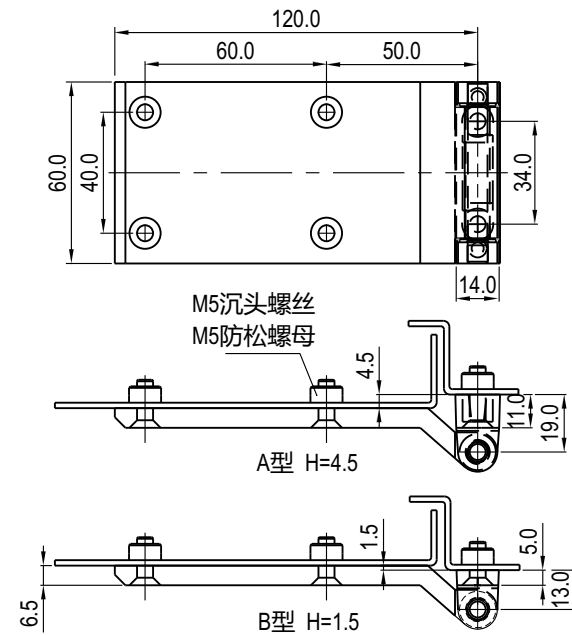
锌合金2D螺钉固定铰链, 镀镍黄铜销轴, 镀锌钢垫圈和PA衬套
2D screw-on hinge zinc die, shaft brass nickel plated; washer m.s. zinc plated and bush polyamide

表面处理 Finish	A型 Version A	B型 Version B	C型 Version C
麻面黑 Black textured Powder Coated	2121-01-20	2121-02-20	2121-03-20



锌合金3D螺钉固定铰链, 不锈钢销轴和螺柱
3D-screw-on hinge zinc die, shaft and grub screw stainless steel

表面处理 Finish	左装 Left	右装 Right
麻面黑 Black textured Powder Coated	2122-01-20L	2122-01-20R

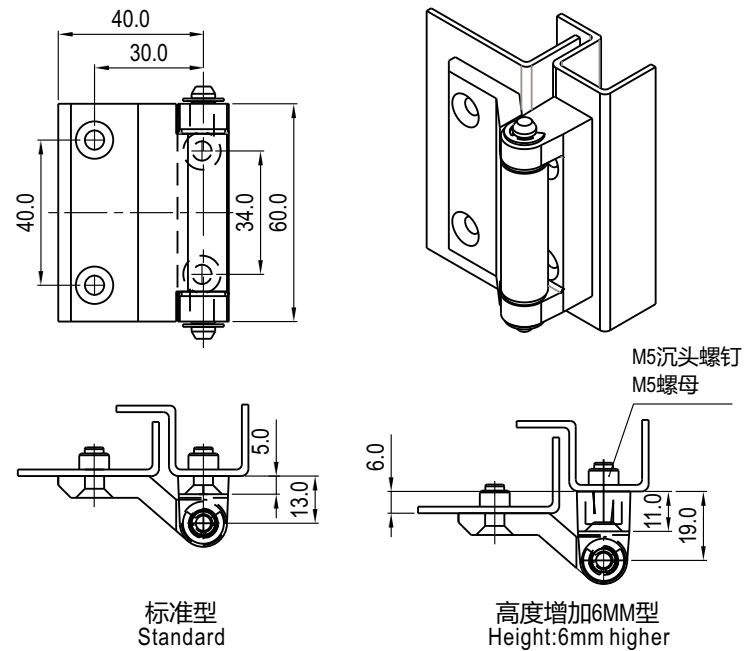
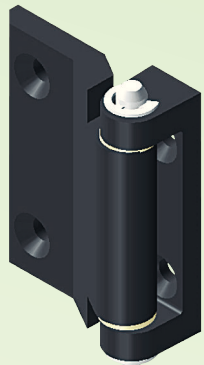
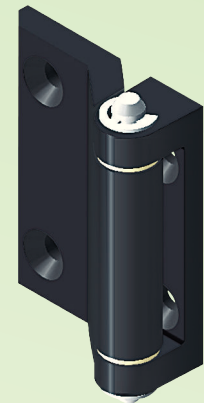


锌合金螺钉固定铰链, 不锈钢销轴, PA衬套
Screw-on hinge zinc die, pin stainless steel and bushes polyamide

表面处理 Finish	A型 Version A	B型 Version B
麻面黑 Black textured Powder Coated	2124-01-20	2124-02-20

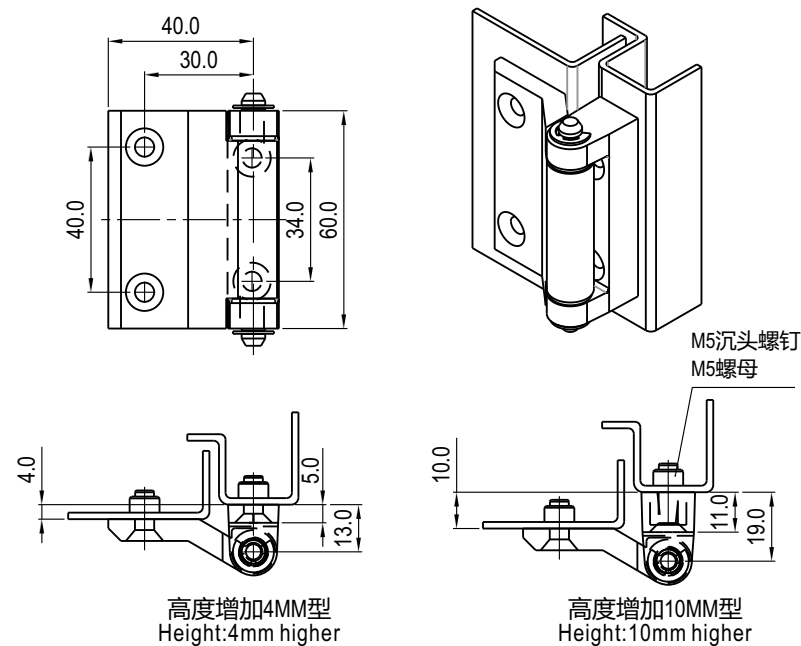


产品正在开发中
18年6月份开始供
Under development,
shall be available on
June, 2018.



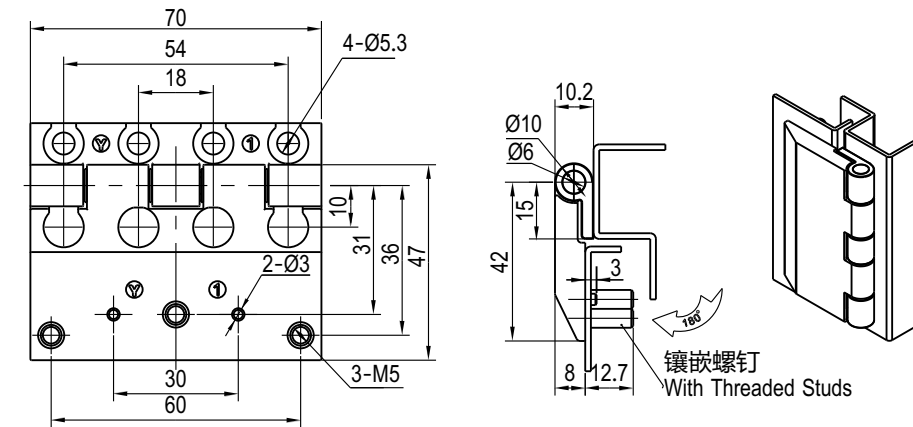
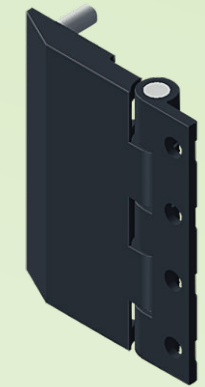
锌合金螺钉固定铰链，不锈钢销轴
Screw-on hinge zinc die, SUS pin

表面处理 Finish	标准型 U4.5 Level	高度增加 6MM 型 U27.28 6mm Higher
麻面黑 Black textured Powder Coated	2123-01-20	2123-02-20
亮铬 Bright Chrome	2123-01-30	2123-02-30
不锈钢 316 SUS 316	2123-01-316	



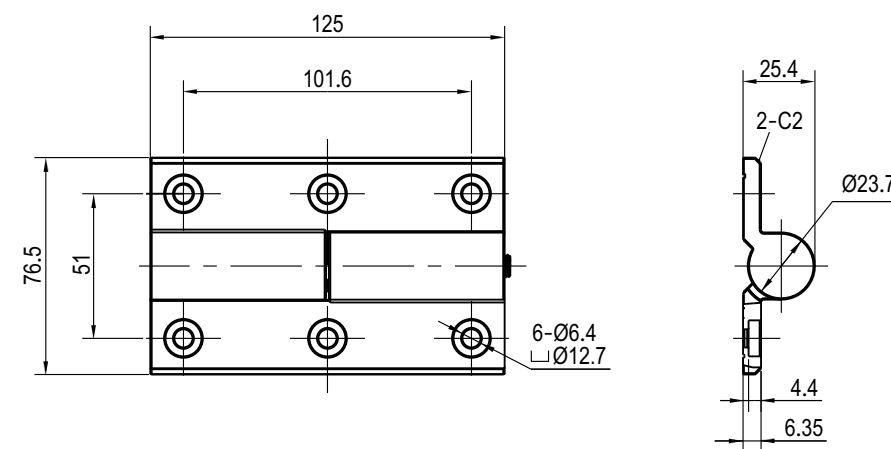
锌合金螺钉固定铰链，不锈钢销轴
Screw-on hinge zinc die, SUS pin

表面处理 Finish	高度增加 4MM 型 U7.10 4mm Higher	高度增加 10MM 型 U19.20 10mm Higher
麻面黑 Black textured Powder Coated	2123-03-20	2123-04-20
亮铬 Bright Chrome	2123-03-30	2123-04-30



锌合金，不锈钢销轴和螺柱，表面处理可做喷塑麻面黑或纳米喷漆（银亚光）
Zinc die, SUS pin and with threaded studs, black textured powder coated or NM spray painting (matte silver)

表面处理 Finish	M5镶嵌螺钉 With Threaded Studs M5
喷塑麻面黑 Black Textured Powder Coated	2125-701-20
纳米喷漆(银亚光) NM spray painting (matte silver)	2125-701-52



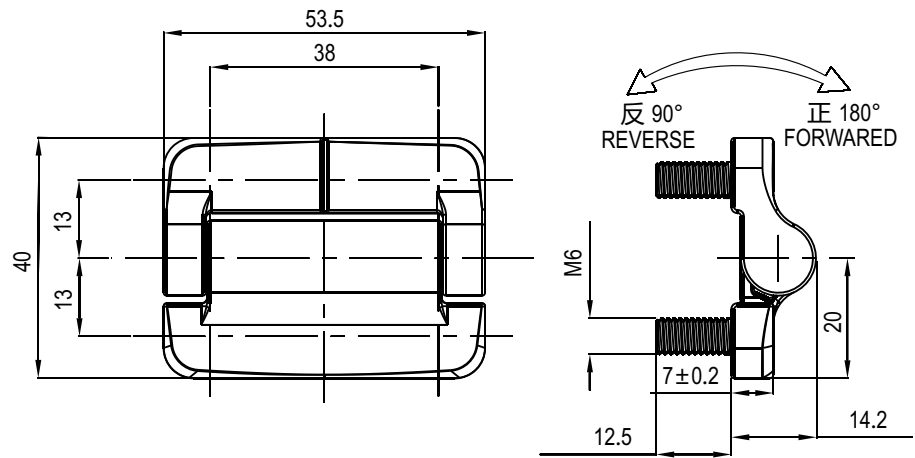
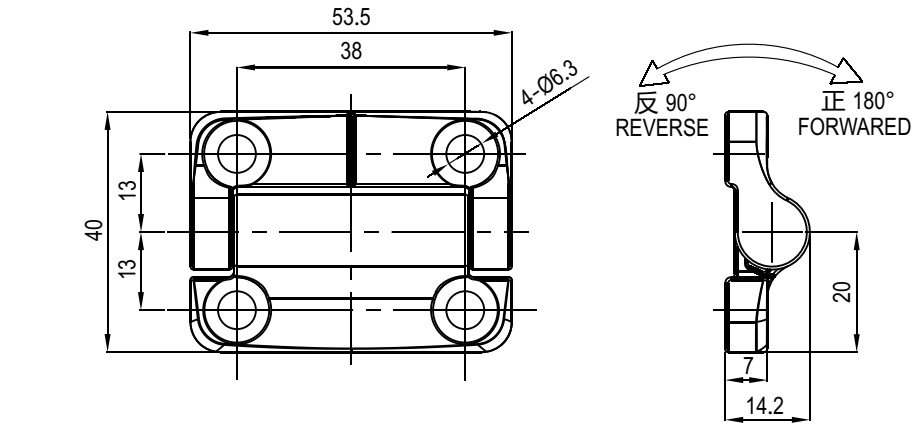
锌合金，不锈钢销轴和螺丝，表面处理可做无光黑或麻面灰RAL7005
Zinc die, SUS pin and screw, black smooth powder coated or grey textured powder coated RAL7005

表面处理 Finish	M6沉头螺钉 Countersunk Screw-on Hinge M6	
	左装 Left Handle	右装 Right Handle
喷塑无光黑 Black Smooth Powder Coated	2126-765-10L	2126-765-10R
麻面灰 RAL7005 Powder Coated RAL7005	2126-765-53L	2126-765-53R



螺钉固定阻尼铰链 Screw-on Torque Hinge

产品系列：2127

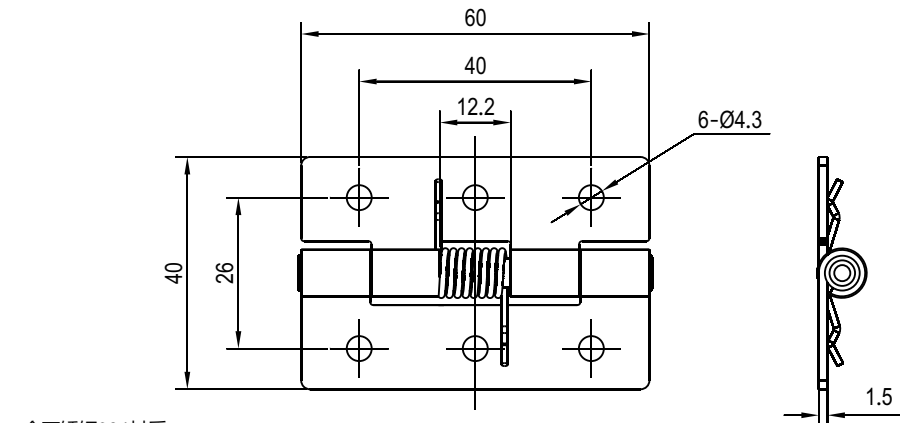


锌合金阻尼铰链，不锈钢销轴
Zinc screw-in torque hinge, SUS pin

对称扭矩	沉孔型 Screw-on Hinge	
	麻面黑 Black Textured Powder Coted	M6镶嵌螺柱型 With Threaded Studs M6
1.8	2127-5180-20	2127-5181-20
2.3	2127-5230-20	2127-5231-20
3.4	2127-5340-20	2127-5341-20

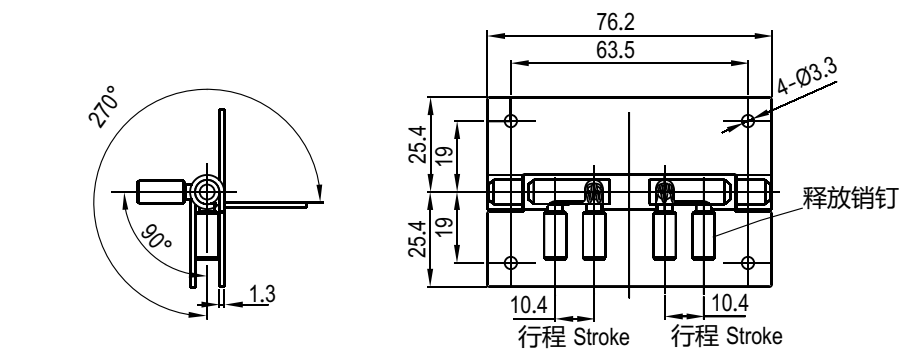
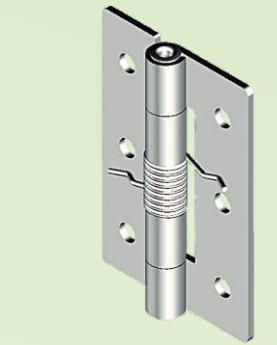
螺钉固定铰链 Screw-on Hinge

产品系列：2128、2129、2132



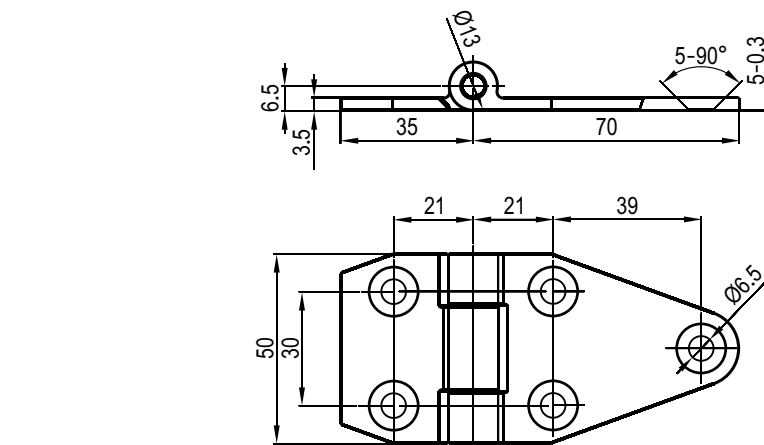
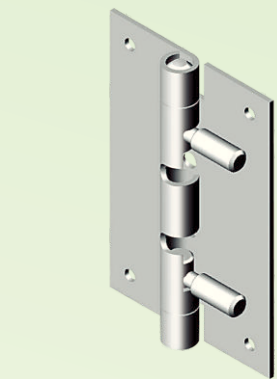
全不锈钢304材质
SUS304 Material

不锈钢304 SUS304	2128-600-304
---------------	--------------



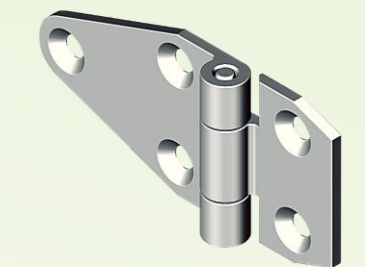
镀锌钢或不锈钢304材质
M.S.Zinc plated or stainless steel

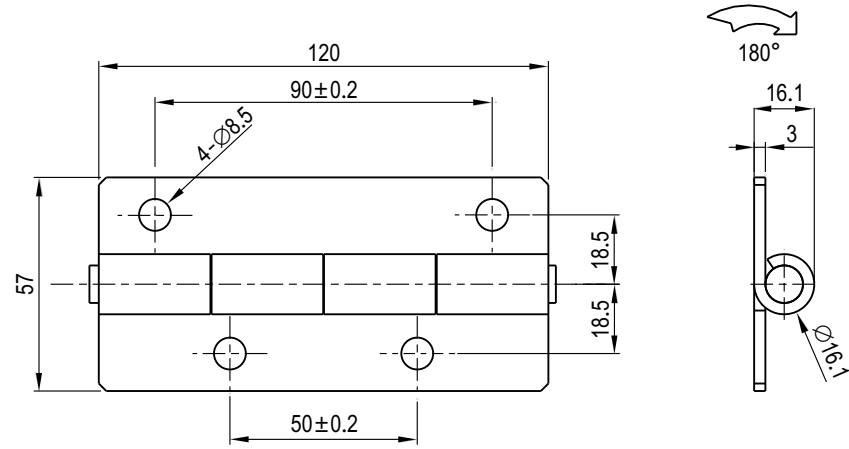
不锈钢304 SUS304	镀锌钢Steel
2129-762-304	2129-762-01



铸钢 Steel casting, zinc plated

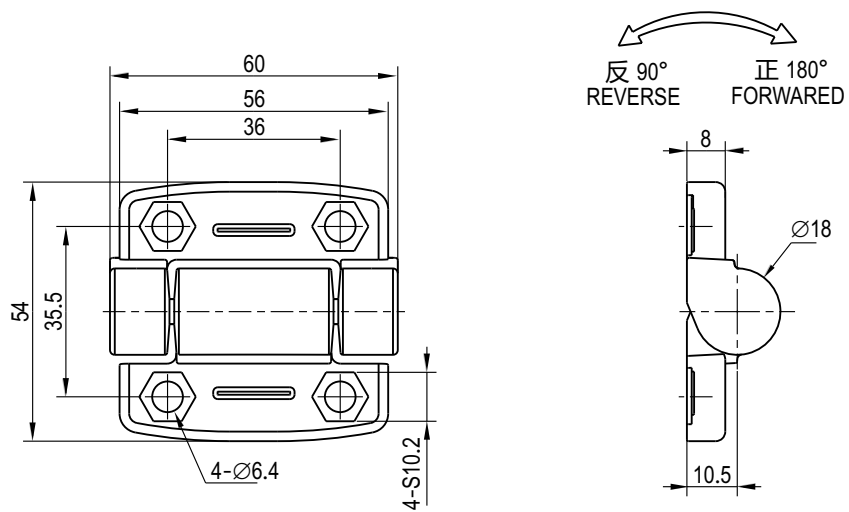
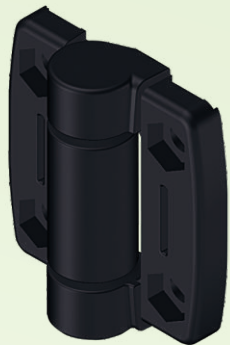
铸钢 Steel casting, zinc plated	2132-500-01
-------------------------------	-------------





全不锈钢304材质
SUS304 Material

不锈钢304 SUS304	2133-120-304
---------------	--------------



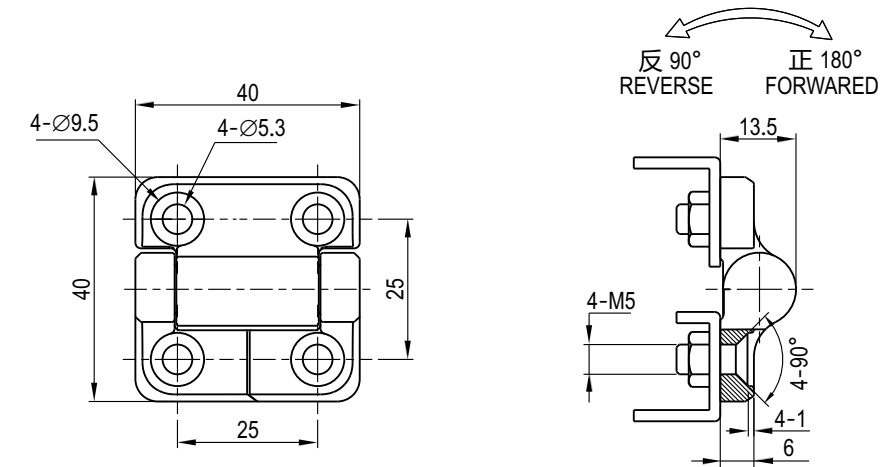
PA6+30%GF,黑色,轴承钢。
PA6+30%GF Black, bearing steel

不对称扭矩 N.m Asymmetric N.m		
正向扭矩 N.m Forward Torque N.m	反向扭矩 N.m Reverse Torque N.m	塑料黑色 PA Black
2.3	0.3	2135-6023F-90
0.3	2.3	2135-6003R-90

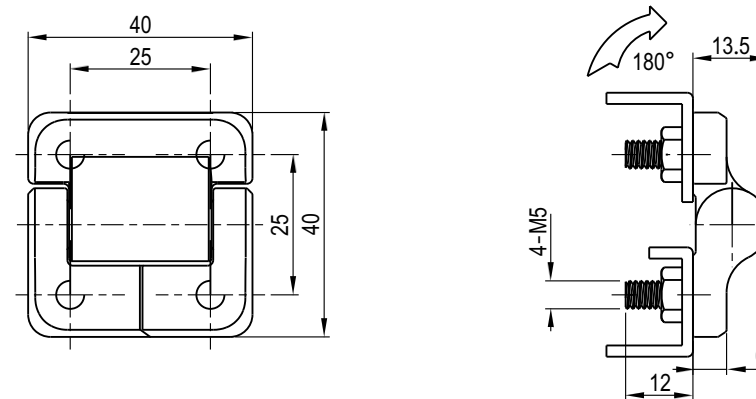
注：
1.动/静铰链相对转动具阻尼力，力值范围允许±20%；
2.寿命试验次数数据：20000次；

Technical requirements:
1.Within 20% of torque specifacaton ;
2.Within 20, 000 cycles static torque stay ;

M5 沉头螺钉固定 Countersunk Screw M5



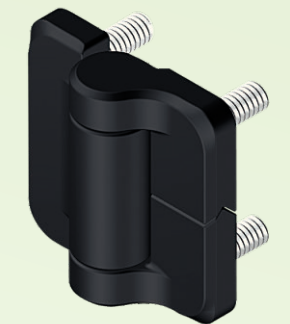
M5 镶嵌螺柱 With Threaded Studs M5



锌合金阻尼铰链，不锈钢销轴
Zinc screw-in torque hinge,SUS pin

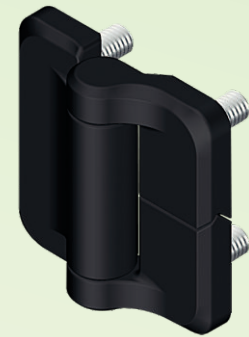
对称扭矩 N.m Symmetric N.m

	麻面黑 Black Textured Powder Coated	
	M5 沉头螺钉固定 Countersunk Screw M5	M5 镶嵌螺柱 With Threaded Studs M5
自由摆动 Free Operating	2136-4000-20	2136-4100-20
0.9	2136-4009-20	2136-4109-20
1.4	2136-4014-20	2136-4114-20
1.8	2136-4018-20	2136-4118-20
2.3	2136-4023-20	2136-4123-20

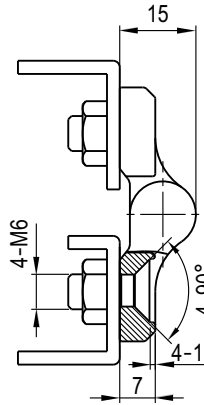
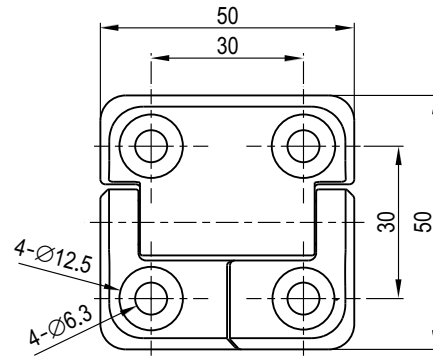


注：
寿命试验次数数据：25000次

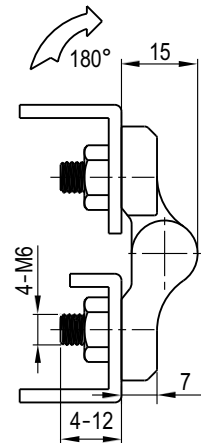
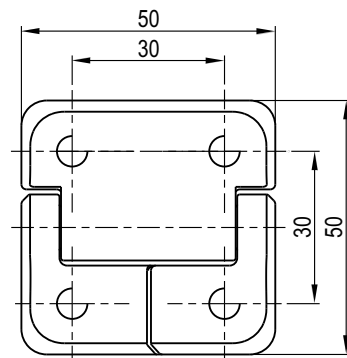
CYCLE LIFE:
Within 25, 000 cycies static torque stay
Within±20% of torque specifacaton.



M6 沉头螺钉固定 Countersunk Screw M6



M6 镶嵌螺柱 With Threaded Studs M6



锌合金阻尼铰链，不锈钢销轴
Zinc screw-in torque hinge, SUS pin

对称扭矩 N.m Symmetric N.m

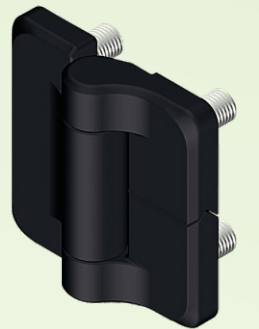
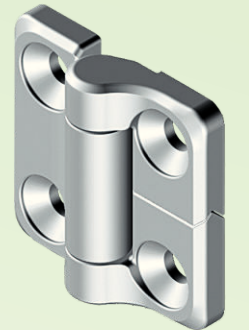
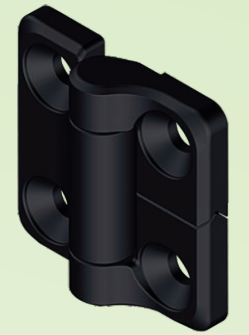
	麻面黑 Black Textured Powder Coated	
	M6 沉头螺钉固定 Countersunk Screw M6	M6 镶嵌螺柱 With Threaded Studs M6
自由摆动 Free Operating	2136-5000-20	2136-5100-20
1.8	2136-5018-20	2136-5118-20
2.3	2136-5023-20	2136-5123-20
3.4	2136-5034-20	2136-5134-20

不对称扭矩 N.m Asymmetric N.m

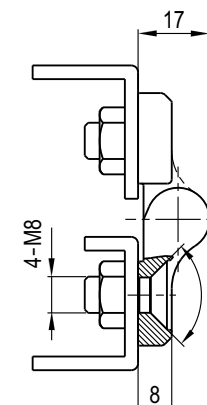
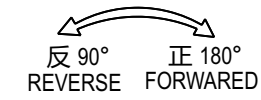
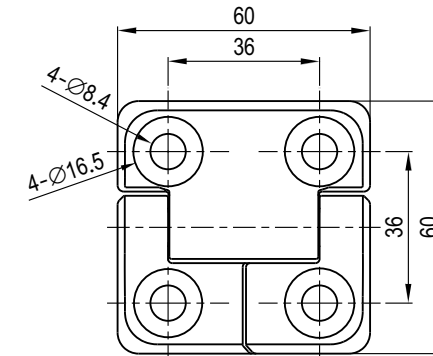
向前扭矩 N.m Forward Torque N.m	反向扭矩 N.m Reverse Torque N.m	麻面黑 Black Textured Powder Coated	
		M6 沉头螺钉固定 Countersunk Screw M6	M6 镶嵌螺柱 With Threaded Studs M6
2.3	1.4	2136-5023F-20	2136-5123F-20
3.4	2.0	2136-5034F-20	2136-5134F-20
4.5	2.7	2136-5045F-20	2136-5145F-20
1.4	2.3	2136-5014R-20	2136-5114R-20
2.0	3.4	2136-5020R-20	2136-5120R-20
2.7	4.5	2136-5027R-20	2136-5127R-20

注：
寿命试验次数数据：25000次

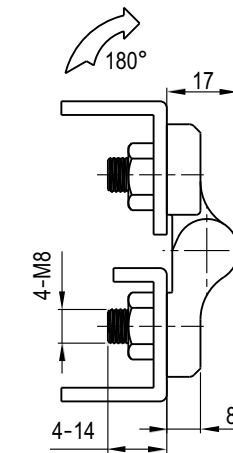
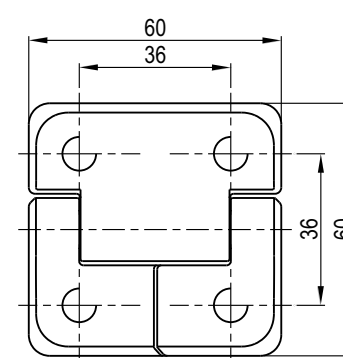
CYCLE LIFE:
Within 25,000 cycles static torque stay
Within ±20% of torque specification.



M8 沉头螺钉固定 Countersunk Screw M8



M8 镶嵌螺柱 With Threaded Studs M8



锌合金阻尼铰链，不锈钢销轴
Zinc screw-in torque hinge, SUS pin

对称扭矩 N.m Symmetric N.m

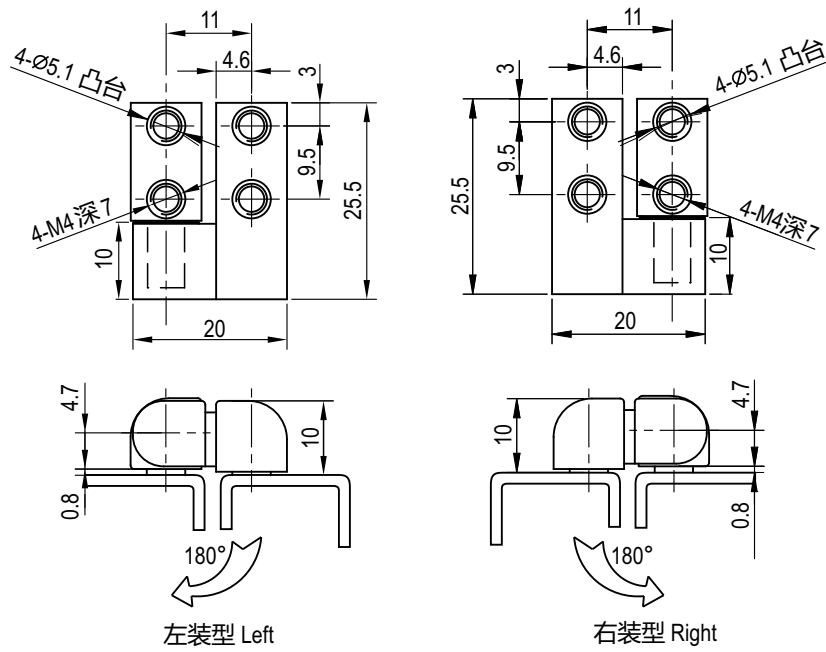
	麻面黑 Black Textured Powder Coated	
	M8 沉头螺钉固定 Countersunk Screw M8	M8 镶嵌螺柱 With Threaded Studs M8
自由摆动 Free Operating	2136-6000-20	2136-6100-20
1.36	2136-6013-20	2136-6113-20
2.26	2136-6022-20	2136-6122-20
3.16	2136-6031-20	2136-6131-20
4.07	2136-6040-20	2136-6140-20

不对称扭矩 N.m Asymmetric N.m

向前扭矩 N.m Forward Torque N.m	反向扭矩 N.m Reverse Torque N.m	麻面黑 Black Textured Powder Coated	
		M8 沉头螺钉固定 Countersunk Screw M8	M8 镶嵌螺柱 With Threaded Studs M8
2.3	1.4	2136-6023F-20	2136-6123F-20
3.2	1.9	2136-6032F-20	2136-6132F-20
4.1	2.4	2136-6041F-20	2136-6141F-20
5	3	2136-6050F-20	2136-6150F-20
1.4	2.3	2136-6014R-20	2136-6114R-20
1.9	3.2	2136-6019R-20	2136-6119R-20
2.4	4.1	2136-6024R-20	2136-6124R-20
3	5	2136-6030R-20	2136-6130R-20

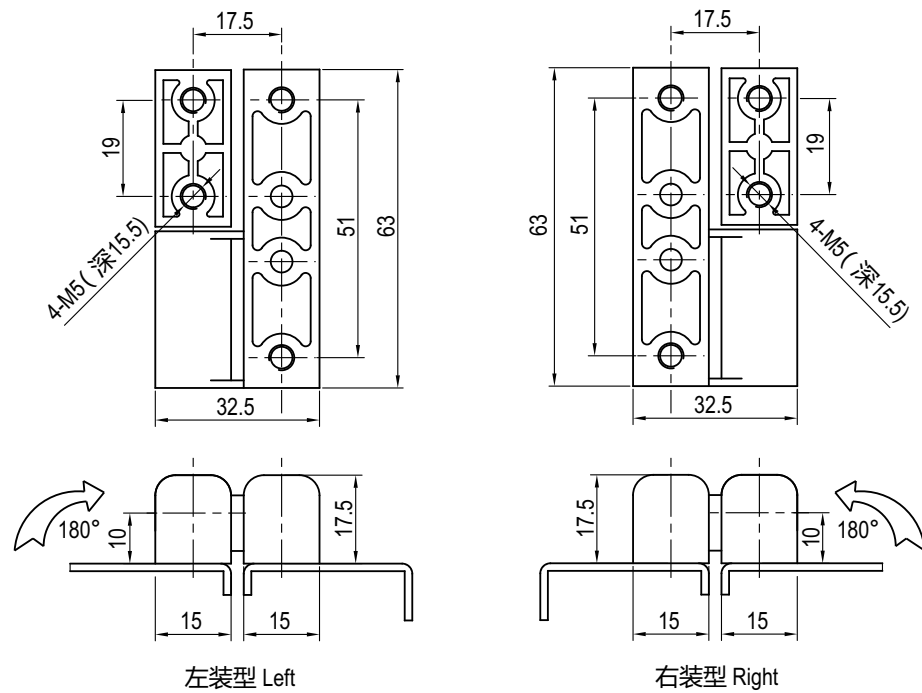
注：
寿命试验次数数据：25000次

CYCLE LIFE:
Within 25,000 cycles static torque stay
Within ±20% of torque specification.



锌合金，表面喷塑
Zinc die, black powder coated

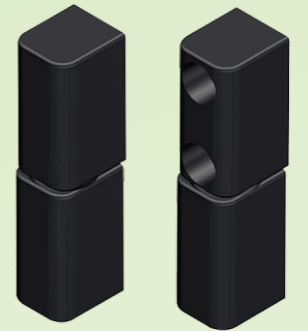
螺丝孔, Screw Hole M4		螺丝孔, Screw Hole 6-32	
A型(左装) Version A(Left)	B型(右装) Version B(Right)	A型(左装) Version A(Left)	B型(右装) Version B(Right)
2201-141	2201-142	2201-111	2201-112



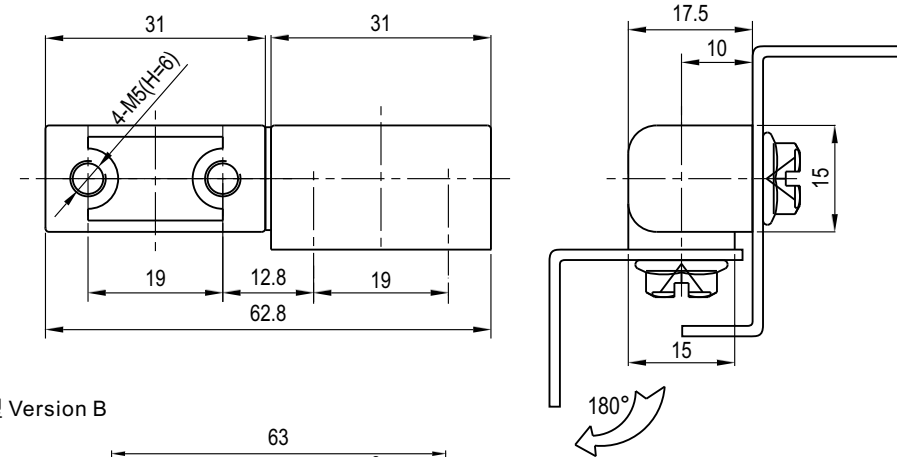
锌合金，表面可做喷塑黑和电镀亮铬
Zinc die, black powder coated or bright chrome

可定制 10-32
10-32 thread is on request

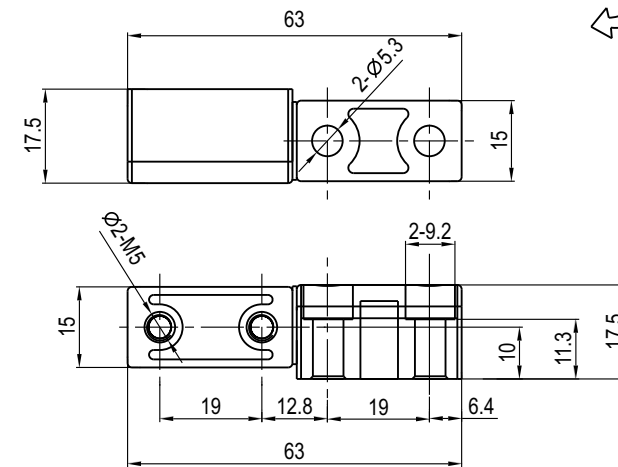
	喷塑黑 Black Powder Coated	亮铬 Bright Chrome
Version A (Left) A型(左装)	2201-510-10	2201-510-30
Version B (Right) B型(右装)	2201-520-10	2201-520-30



A型 Version A

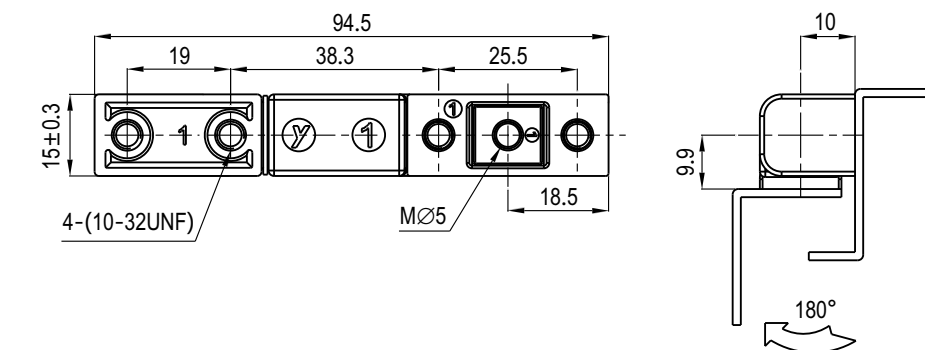


B型 Version B



锌合金，表面可做喷塑黑和电镀亮铬
Zinc die, black powder coated or bright chrome

	喷塑黑 Black Powder Coated	亮铬 Bright Chrome
Version A A型	2201-500-10	2201-500-30
Version B B型	2201-501-10	2201-501-30



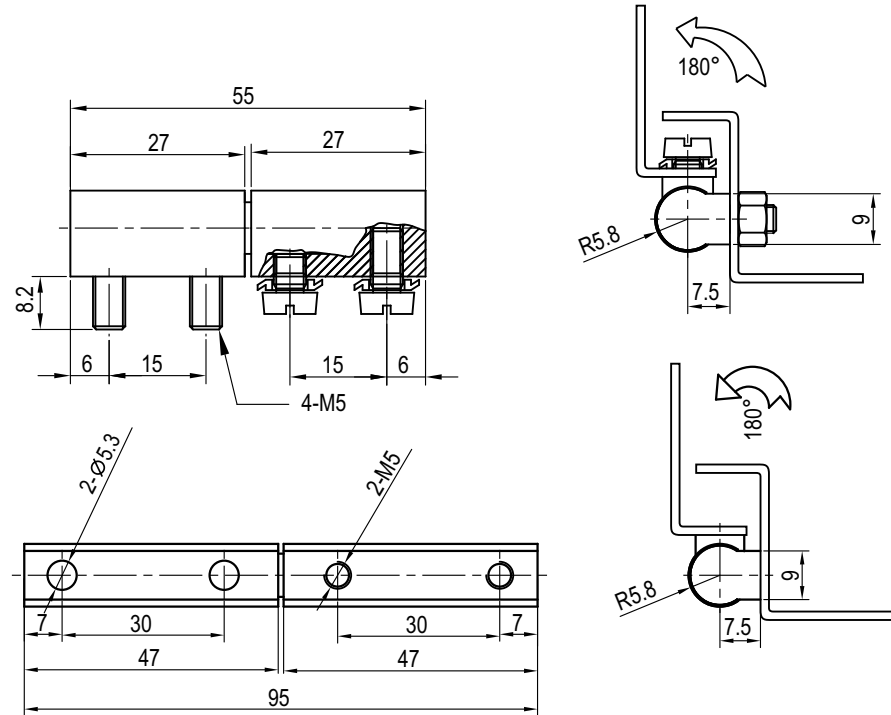
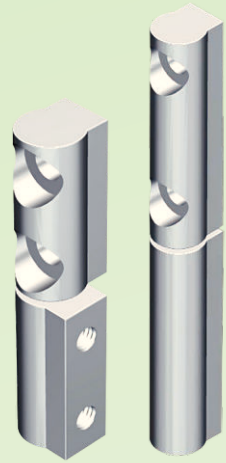
锌合金，表面可做喷塑黑和电镀亮铬
Zinc die, black powder coated or bright chrome.

安装方式 Install Style	安装方式 Install Style	喷塑黑 Black Powder	亮铬 Bright Chrome
正面固定 Front-mount Hinge	螺纹孔 Tapped Hole	2201-572-20	2201-572-30
隐藏式固定 Concealed-mount	通孔 Thru hole	2201-570-220	2201-570-230
	M5X0.8 Hinge 10-32	2201-570-120	2201-570-130



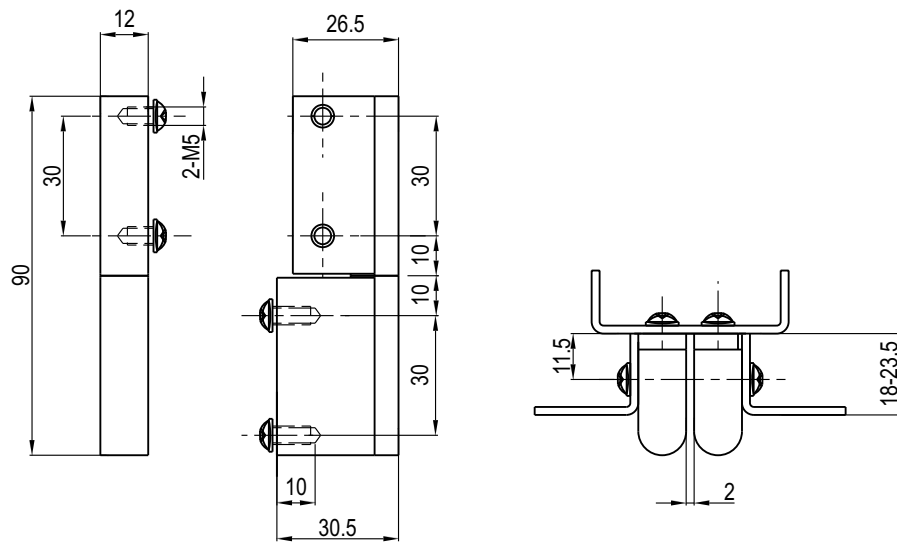
可拆铰链 Lift-off Hinge

产品系列：2204、2206



镀锌钢，不锈钢盖
M.S. zinc plated, SUS cover

长度 Length	
L=55	2204-55
L=95	2204-95



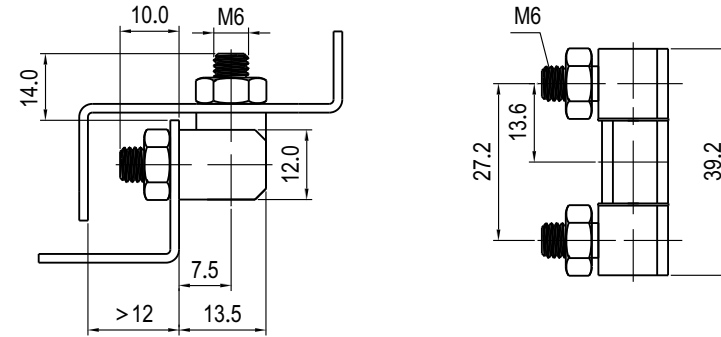
锌合金，镀锌钢或不锈钢销轴，表面可做喷塑黑 和电镀亮铬
Zinc die, black powder coated or bright chrome, m.s. zinc plated or SUS pin.

麻面黑 Black Textured Powder Coated	亮铬 Bright Chrome
2206-20	2206-30

可拆铰链 Lift-off Hinge

产品系列：2207

小型 Small size



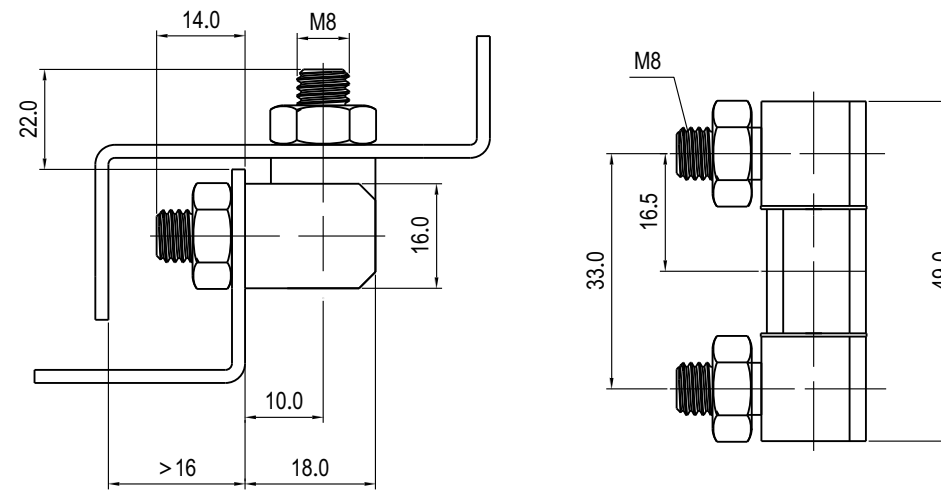
两节
Two Joints

三节
Three Joints

不锈钢或镀锌钢
Stainless steel or m.s. zinc plated

款式 Version	长度 L	不锈钢 Stainless steel	镀锌钢 Steel
两节 Two Joints	L=25.6	2207-256-304	2207-256-01
三节 Three Joints	L=39.2	2207-392-304	2207-392-01

大型 Large size

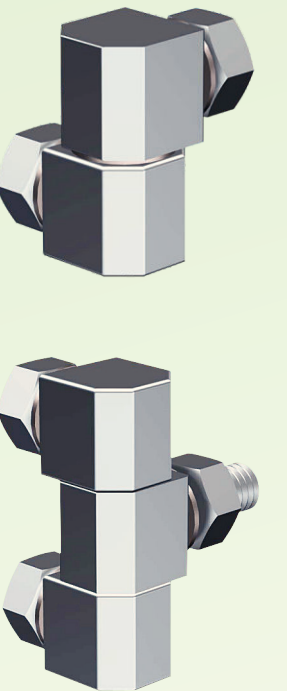
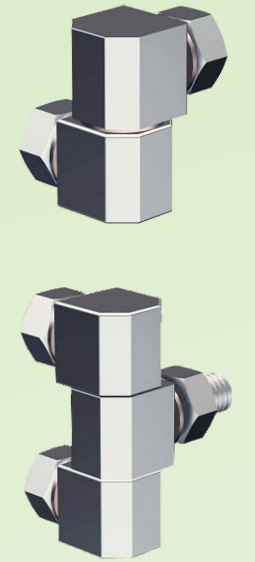


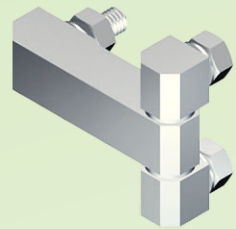
两节
Two Joints

三节
Three Joints

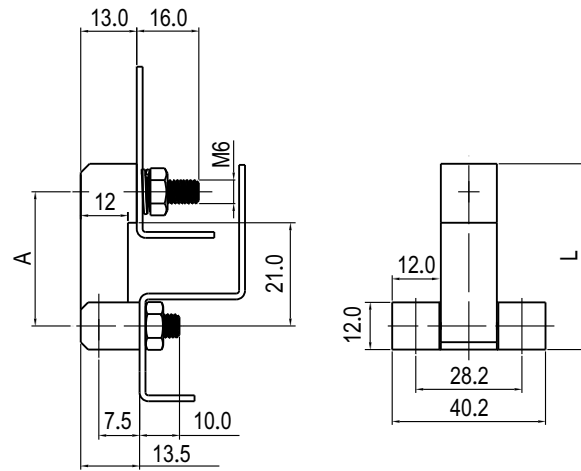
不锈钢或镀锌钢
Stainless steel or m.s. zinc plated

款式 Version	长度 L	不锈钢 Stainless steel	镀锌钢 Steel
两节 Two Joints	L=32.5	2207-325-304	2207-325-01
三节 Three Joints	L=49	2207-490-304	2207-490-01

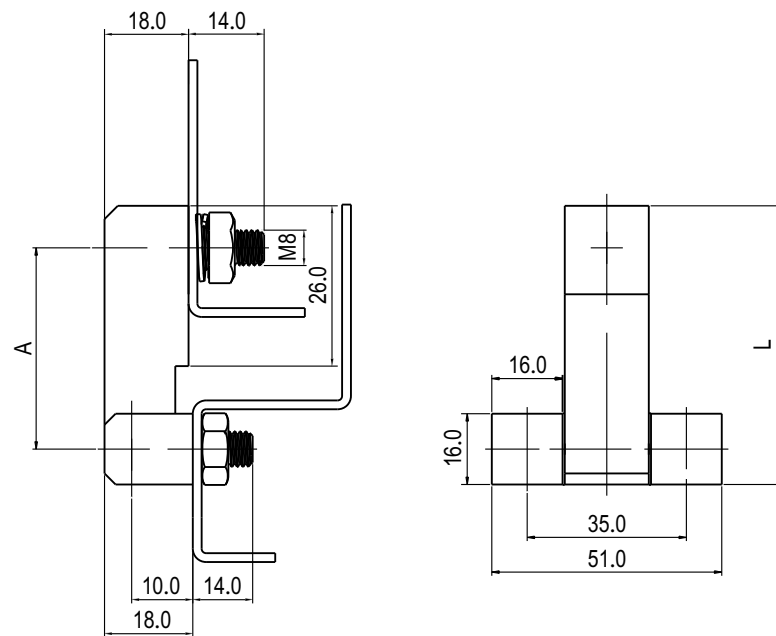




小型 Small size

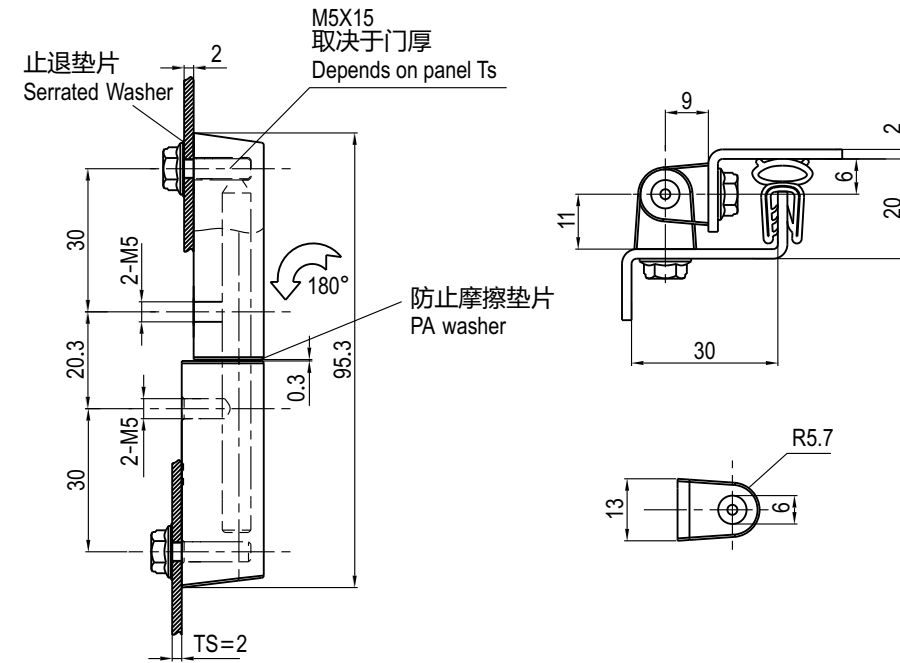
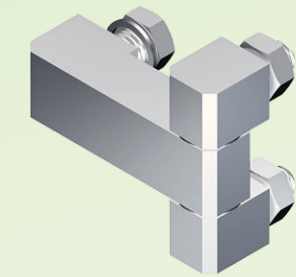


大型 Large size



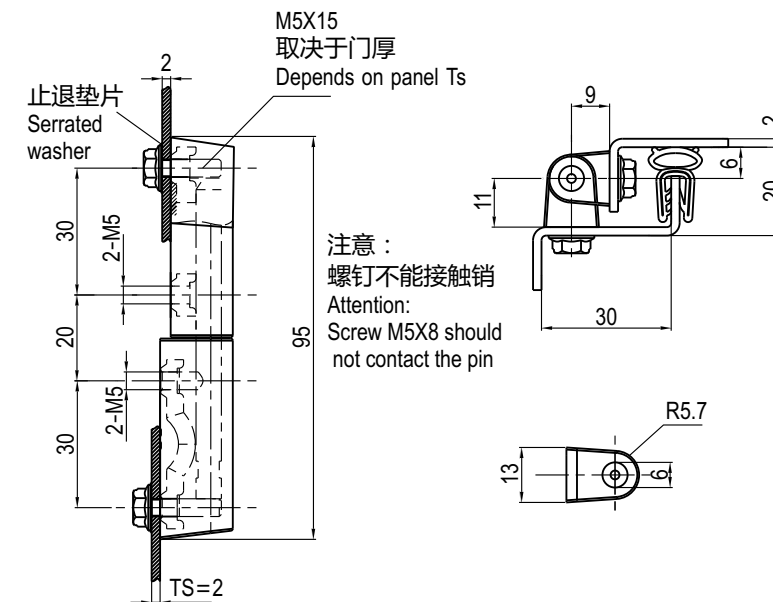
不锈钢或镀锌钢
Stainless steel or m.s. zinc plated

款式 Version	长度 L	A	不锈钢 Stainless steel	镀锌钢 Steel
小型 Small size	三节 Three Joints	L=45	2207-4530-304	2207-4530-01
		L=53	2207-5338-304	2207-5338-01
大型 Large Size	三节 Three Joints	L=50	2207-5029-304	2207-5029-01
		L=61	2207-6140-304	2207-6140-01



锌合金, 镀锌钢或不锈钢销轴, 表面可做喷塑黑 和电镀亮铬
Zinc die, black powder coated or bright chrome, m.s. zinc plated or SUS pin.

麻面黑 Black Textured Powder Coated	亮铬 Bright Chrome
2208-20	2208-30

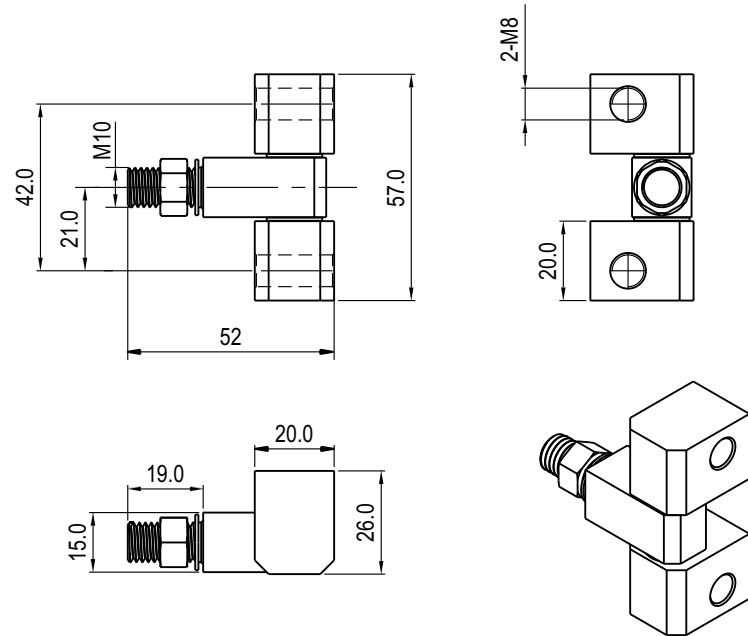
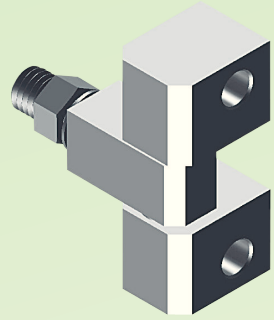


黑色PA GF30%, 未处理钢镶嵌件, 不锈钢销轴
Black PA GF30% body, untreated steel fully molded-in, stainless steel pin

2208-PA

可拆铰链 Lift-off Hinge

产品系列：2210、2211

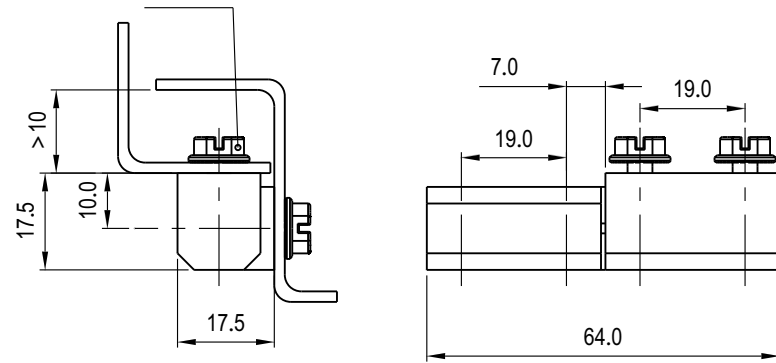


不锈钢或镀锌钢
Stainless steel or m.s. zinc plated

款式 Version	长度 Length	不锈钢 Stainless Steel	镀锌钢 Steel
三节 Three Joints	L=57.0	2210-570-304	2210-570-01



防松螺钉(M5X6)
9601-M506

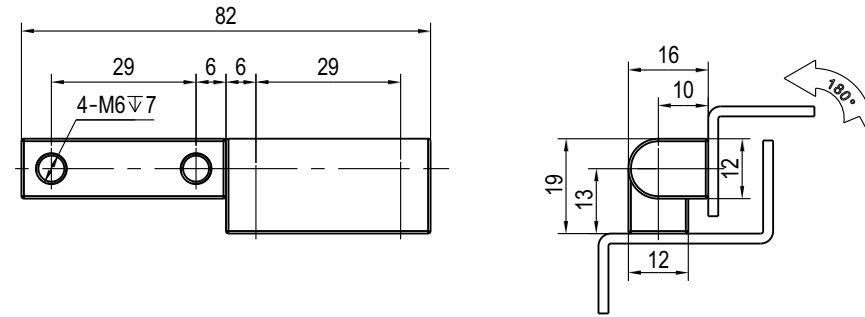


锌合金镀锌钢或不锈钢销轴，表面可做喷塑或电镀亮铬。
zinc die, m.s. zinc plated or sus pin, black powder coated or bright chrome

表面处理 Finish	沉头螺钉 Countersunk Screw
喷塑黑 Black Powder Coated	2211-500-10
亮铬 Bright Chrome	2211-500-30
不锈钢 316 SUS 316	2211-500-316

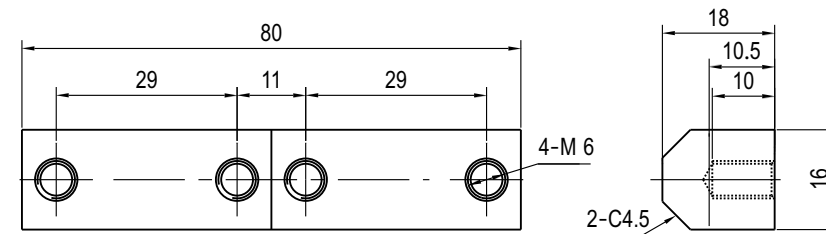
可拆铰链 Lift-off Hinge

产品系列：2213、2214、2215



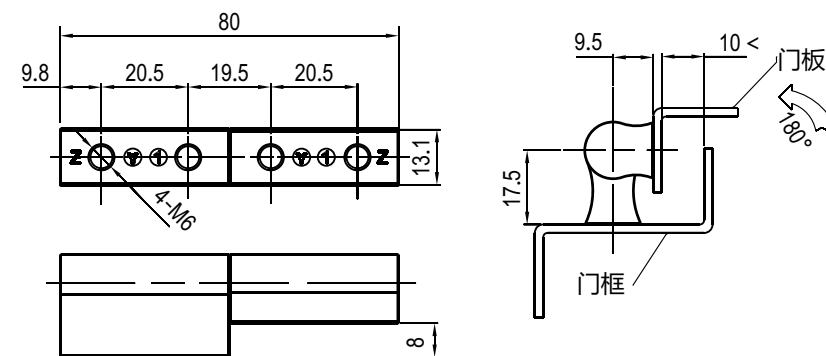
全不锈钢材质
SUS material

中心距 Center Distance	
L=29	2213-29-304



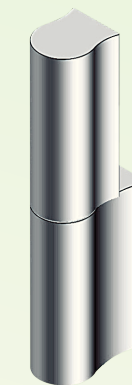
全不锈钢材质
SUS material

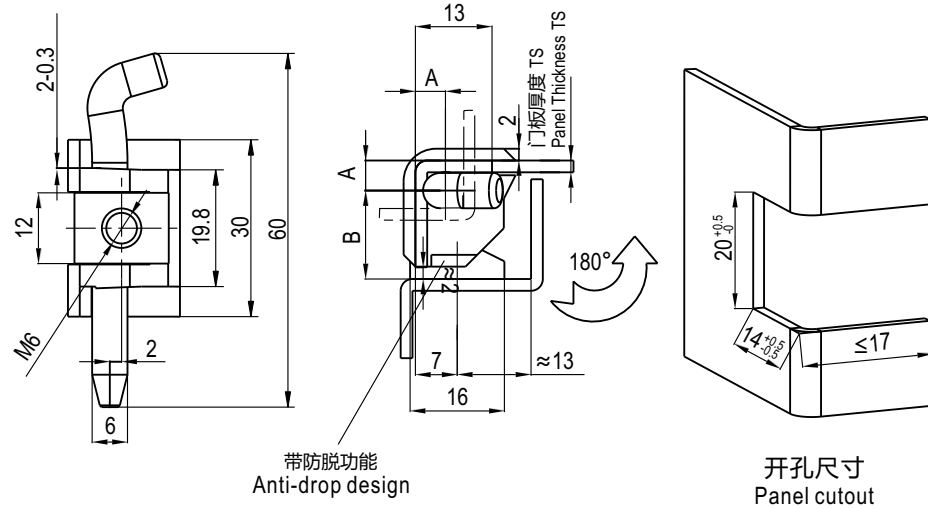
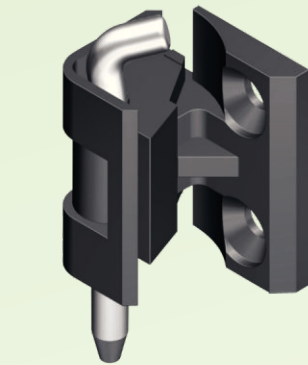
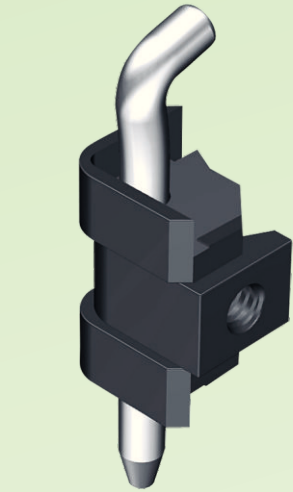
长度 Length	
L=80	2214-800-316



锌合金铰链镀亮铬, 铁销轴镀镍, 可做全不锈钢材质
Zinc die, bright chrome, nickel plated pin, or full stainless steel

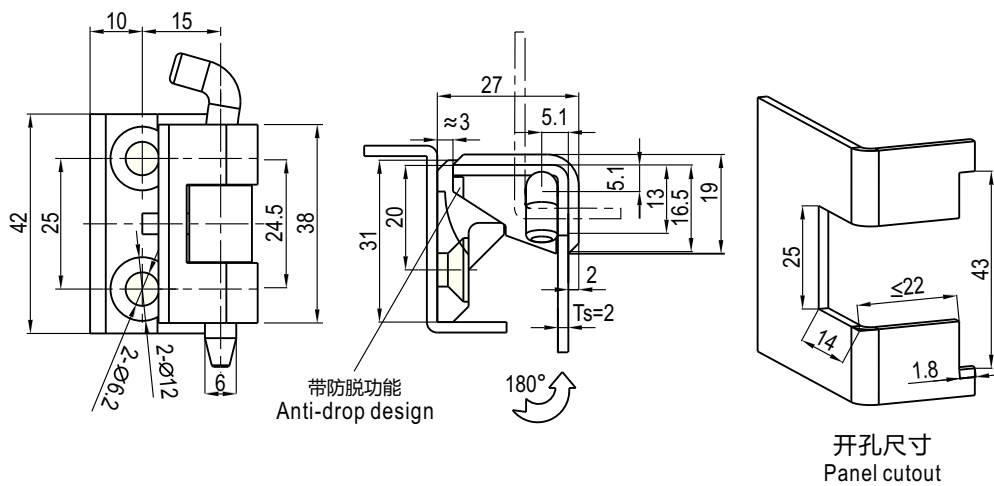
电镀亮铬 Bright Chrome	不锈钢 316 SUS316
2215-800-30	2215-800-316





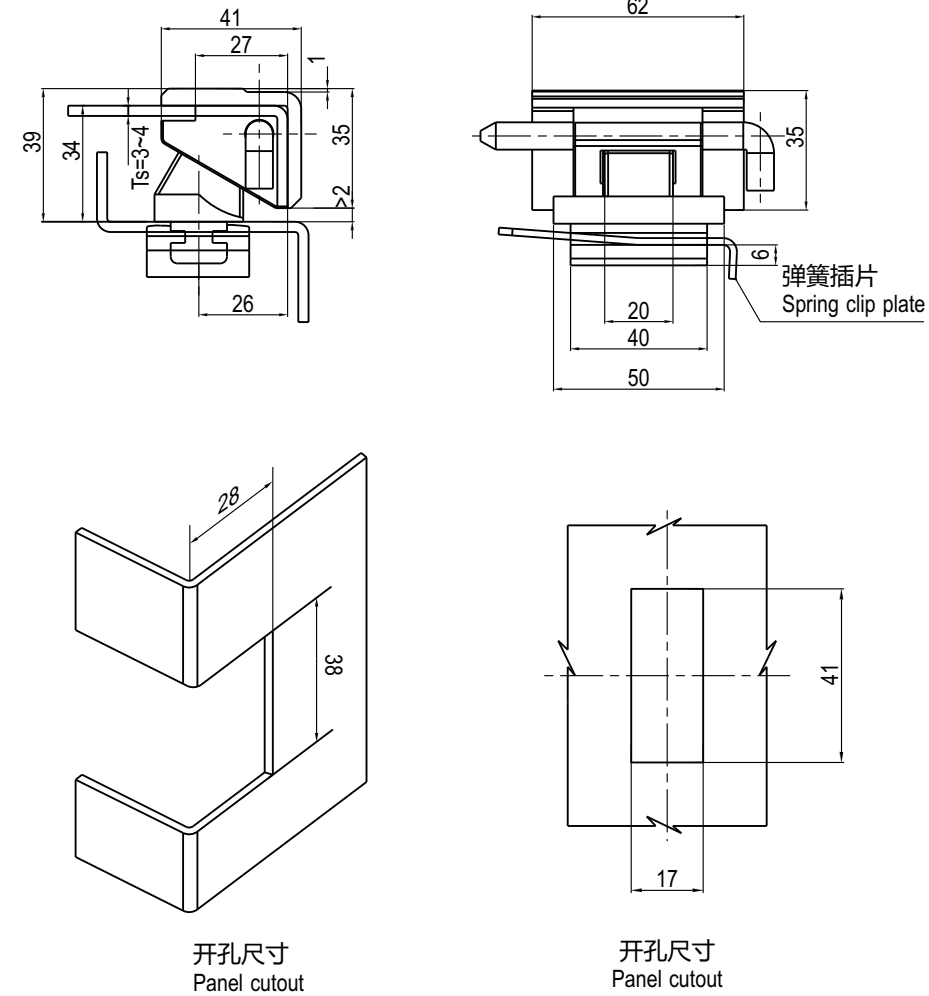
锌合金，镀锌钢或不锈钢销轴，表面可做喷塑黑和电镀亮铬
Zinc die, m.s. zinc plated or SUS pin, black textured powder coated or bright chrome

门板厚度 TS Panel Thickness TS	A	B	喷塑黑 Black Powder Coated	亮铬 Bright Chrome
1.5	4.6	15	2305-15-20	2305-15-30
2.0	5.1	15	2305-20-20	2305-20-30
1.5	4.6	17	2305-1517-20	2305-1517-30
2.0	5.1	17	2305-2017-20	2305-2017-30
1.5	4.6	19	2305-1519-20	2305-1519-30
2.0	5.1	19	2305-2019-20	2305-2019-30



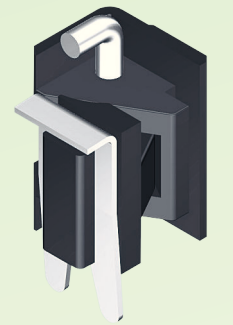
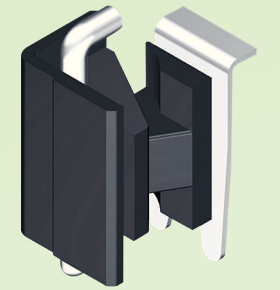
锌合金，镀锌钢或不锈钢销轴，表面可做喷塑黑和电镀亮铬
Zinc die, m.s. zinc plated or SUS pin, black textured powder coated or bright chrome

门板厚度 Panel Thickness	麻面黑 Black Textured Powder Coated	亮铬 Bright Chrome
Ts=1.50mm	2306-15-20	2306-15-30
Ts=2.00mm	2306-20-20	2306-20-30

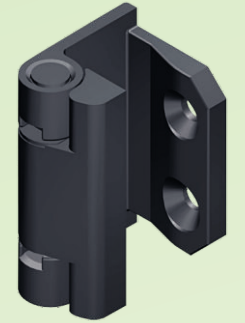
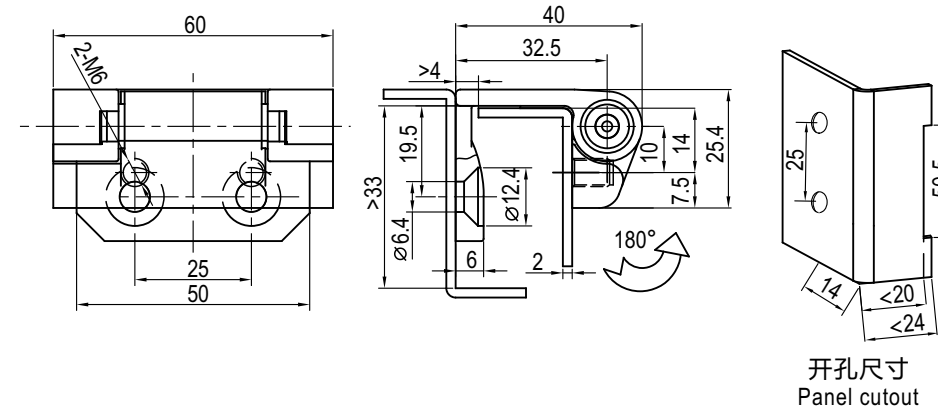
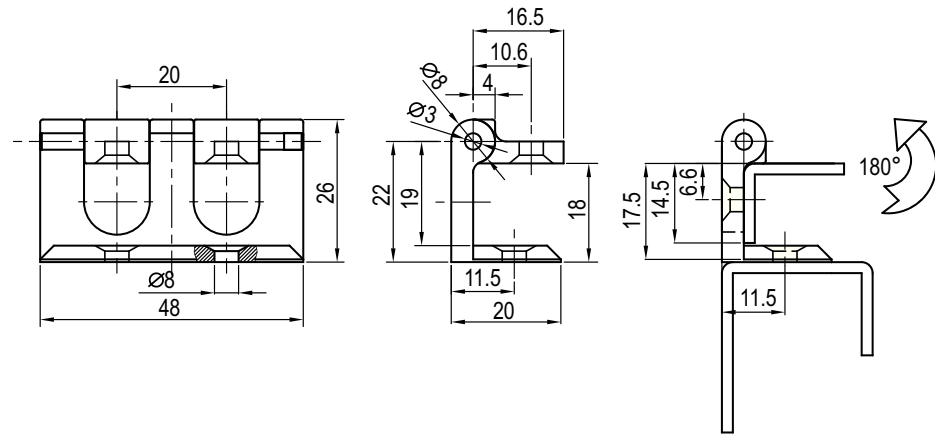
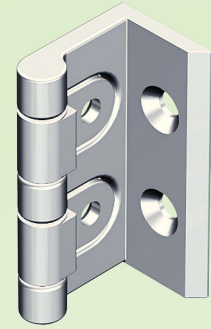


锌合金，镀锌钢销轴和弹簧插片
Zinc die, m.s. zinc plated pin and clip plate black power coated or black E-coating

喷塑黑 Black Powder Coated	电泳黑 Black E-Coated
2307-01-10	2307-01-50



产品正在开发中
18年6月份开始供
Under development,
shall be available on
June, 2018.



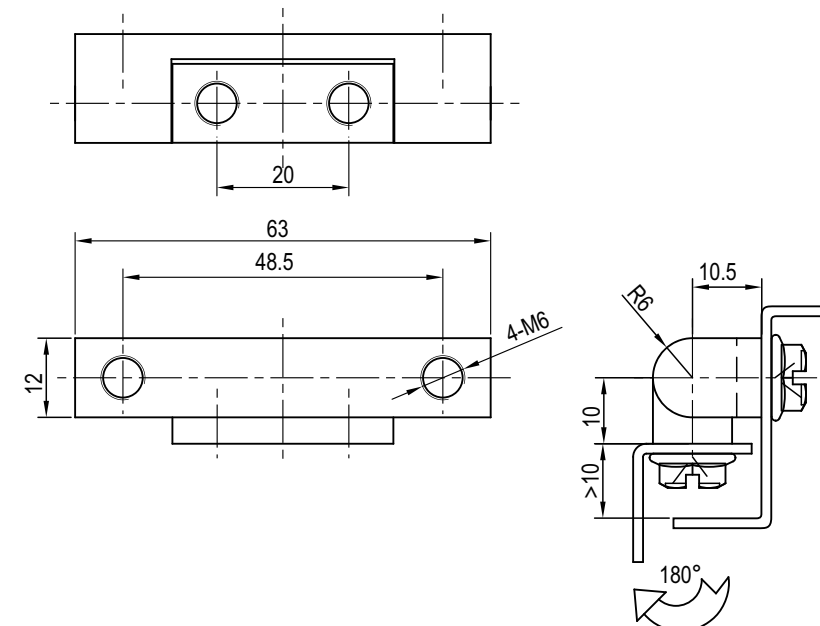
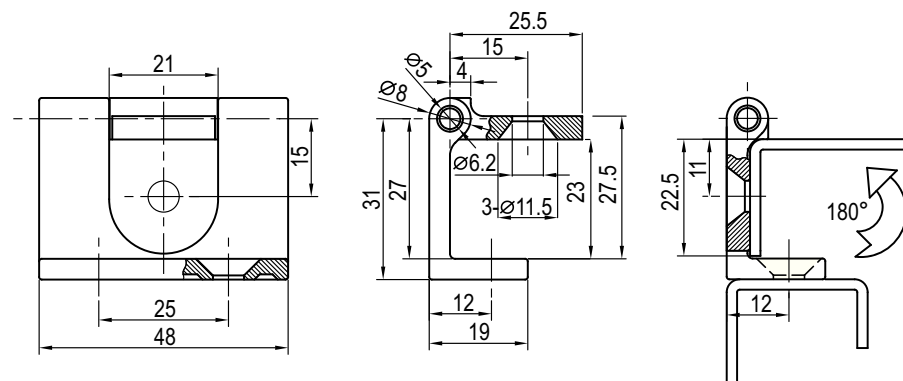
产品正在开发中
18年6月份开始供
Under development,
shall be available on
June, 2018.

锌合金，镀锌钢或不锈钢销轴，表面度镀蓝白锌
Zinc die, m.s. zinc plated or SUS pin, blue white zinc plated

蓝白锌 Blue Zinc plated	2311-00
----------------------	---------

锌合金，塑料销轴，表面喷塑黑
Zinc die, black textured powder coated, PA pin.

麻面黑 Black Textured Powder Coated	2312-20
----------------------------------	---------



产品正在开发中
18年6月份开始供
Under development,
shall be available on
June, 2018.

锌合金，镀锌钢或不锈钢销轴，表面可做镀黑锌
Zinc die, m.s. zinc plated or SUS pin, black zinc plated

锌黑 Black Zinc plated	2311-02
----------------------	---------

锌合金，镀锌钢或不锈钢销轴，表面可做喷塑黑和电镀亮铬
Zinc die, m.s. zinc plated or SUS pin, black powder coated or bright chrome.

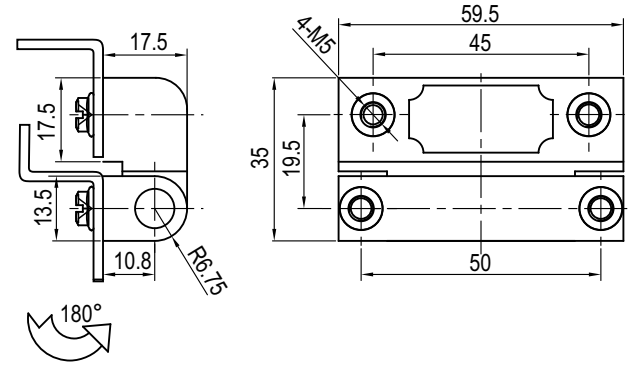
喷塑黑 Black Powder Coated	亮铬 Bright Chrome
2313-10	2313-30



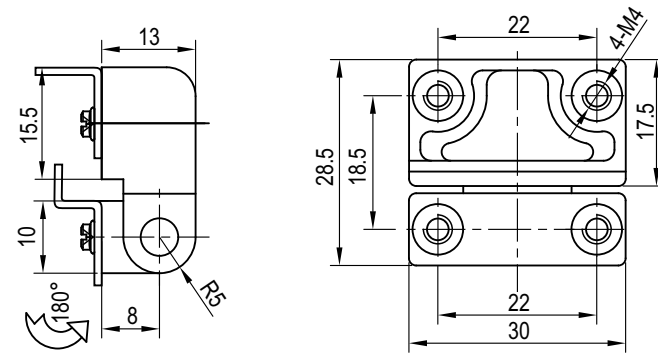
产品正在开发中
18年6月份开始供
Under development,
shall be available on
June, 2018.



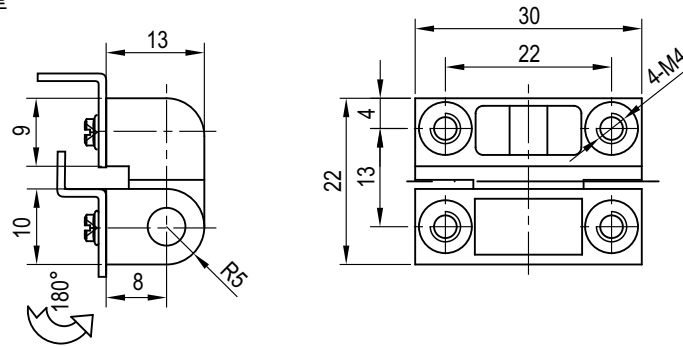
Version A A 型



Version B B 型

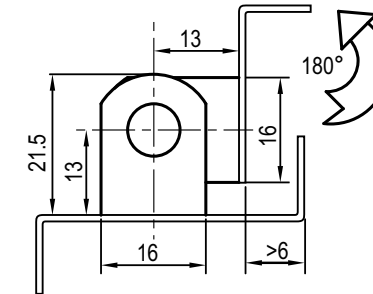
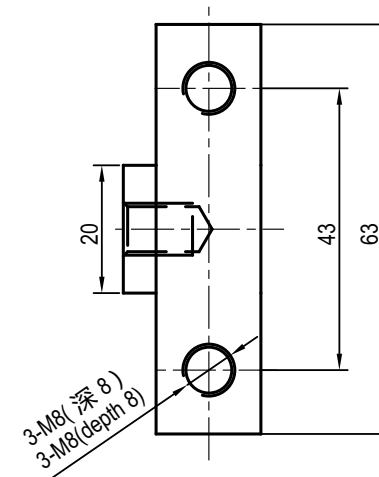
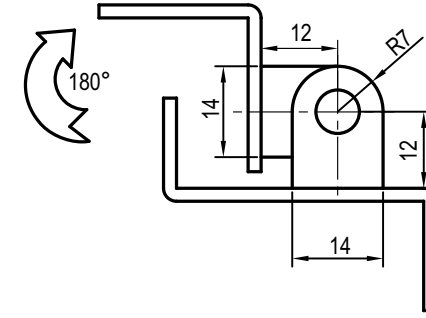
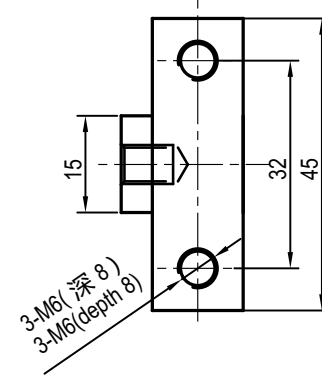
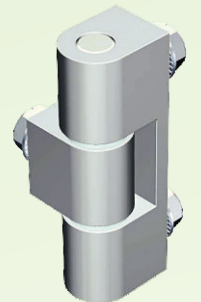
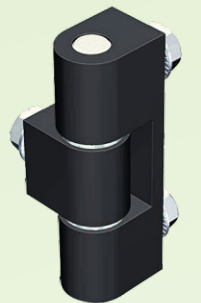
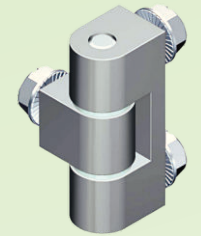
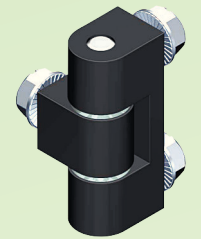


Version C C 型



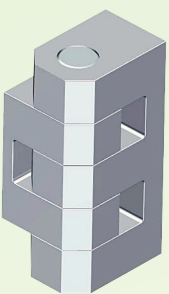
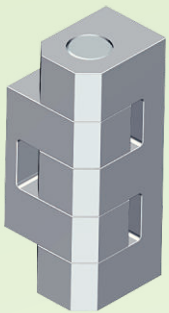
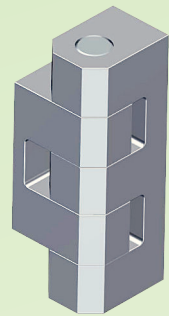
锌合金, 镀锌钢或不锈钢销轴, 表面可做喷塑黑和电镀亮铬
Zinc die, m.s. zinc plated or SUS pin, black powder coated or bright chrome.

	喷塑黑 Black Powder Coated	亮铬 Bright Chrome	沙铬 Satin Chrome
A 型 Version A	2315-350-10	2315-350-30	2315-350-40
B 型 Version B	2315-285-10	2315-285-30	2315-285-40
C 型 Version C	2315-220-10	2315-220-30	2315-220-40

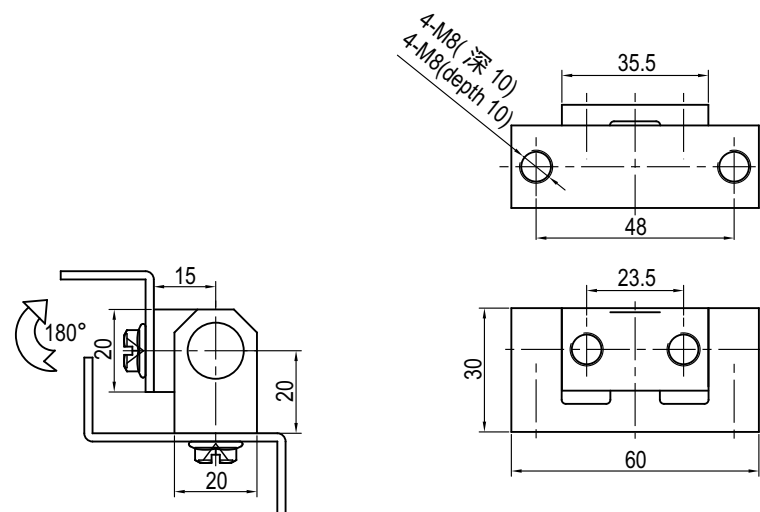
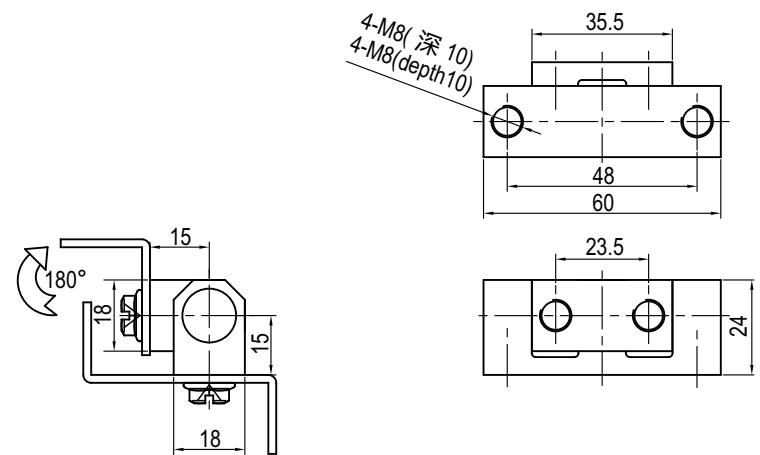
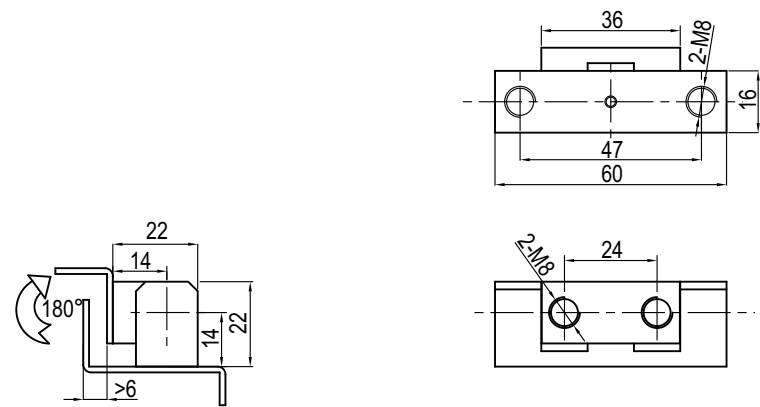


锌合金, 镀锌钢或不锈钢销轴, 表面可做喷塑和电镀亮铬
Zinc die, m.s. zinc plated or SUS pin, black powder coated or bright chrome.

长度 L	喷塑黑 Black Powder Coated	亮铬 Bright Chrome
L=45	2316-45-10	2316-45-30
L=63	2316-63-10	2316-63-30

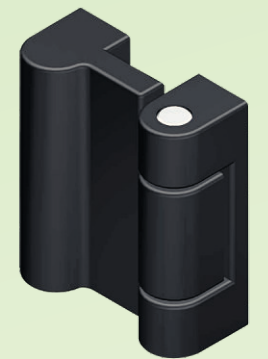


产品正在开发中
18年6月份开始供
Under development,
shall be available on
June, 2018.

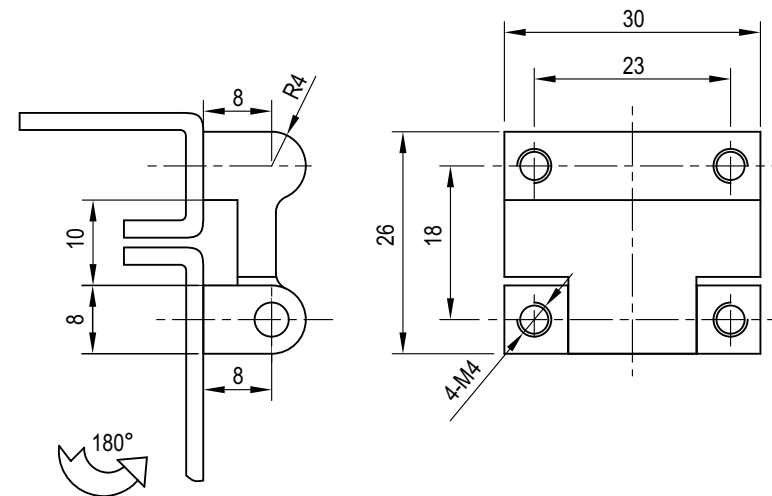


锌合金，镀锌钢或不锈钢销轴。
Zinc die, m.s. zinc plated or stainless steel pin.

宽度 W	喷塑黑 Black Powder Coated	亮铬 Bright Chrome
W=14	2317-14-10	2317-14-30
W=15	2317-15-10	2317-15-30
W=20	2317-20-10	2317-20-30

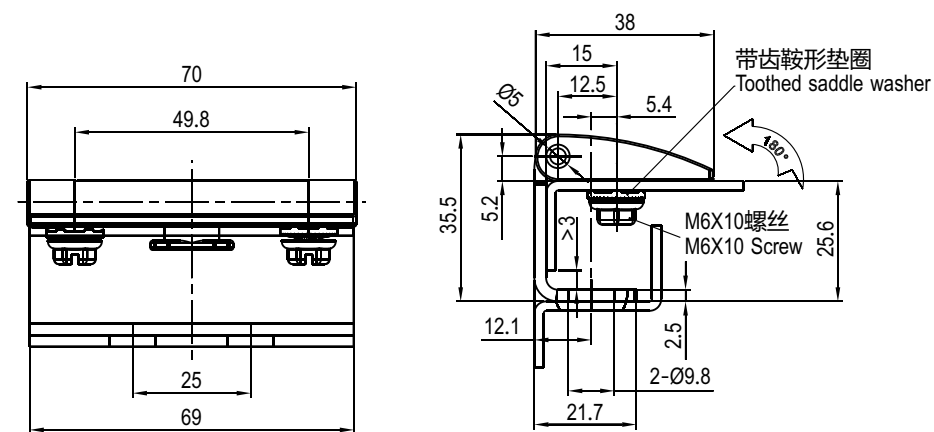


产品正在开发中
18年6月份开始供
Under development,
shall be available on
June, 2018.



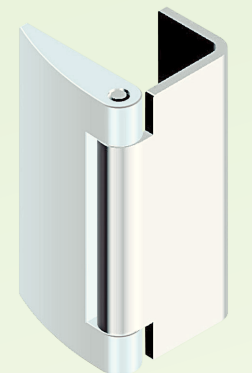
锌合金，镀锌钢或不锈钢销轴，表面可做喷塑和电镀亮铬
Zinc die, m.s. zinc plated or SUS pin, black powder coated or bright chrome.

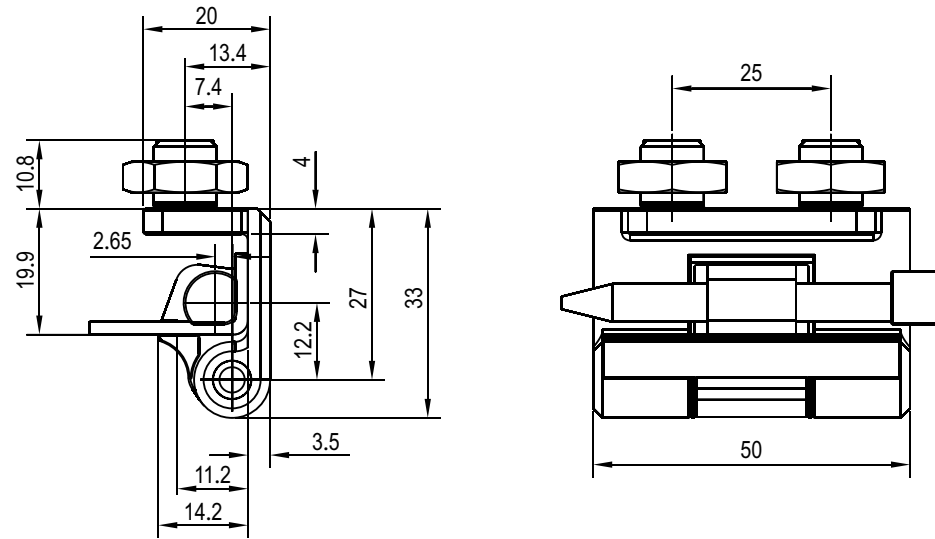
喷塑黑 Black Powder Coated	亮铬 Bright Chrome
2318-10	2318-30



锌合金静铰链，铁喷塑粉动铰链，不锈钢销轴
Zinc die door leaf, steel frame leaf, SUS pin

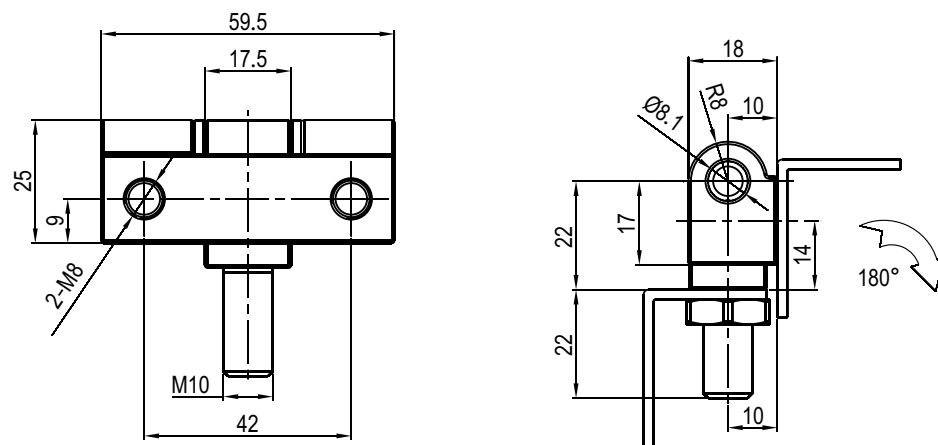
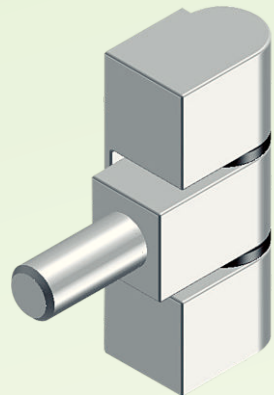
RAL9016	喷塑无光黑 Black Powder Coated
2328-01-25	2328-01-10





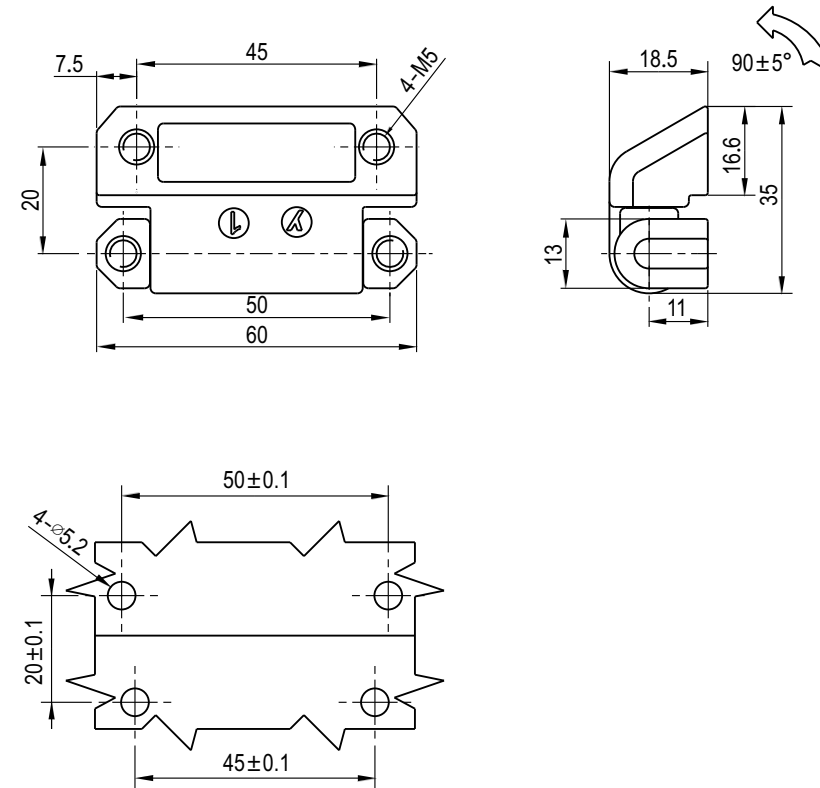
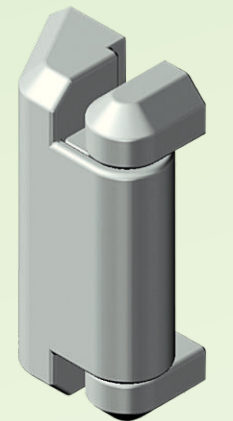
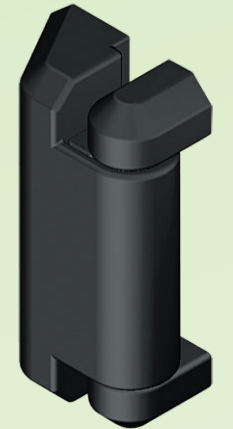
锌合金铰链喷塑黑, 铁镀锌销轴
Zinc die hinge, black powder coated, m.s. zinc plated pin

麻面黑 Black Textured Powder Coated	2330-500-20
----------------------------------	-------------



锌合金铰链镀铬, 铁镀锌销轴
Zinc die, bright chrome plated, pin with m.s. zinc plated

电镀亮铬 Bright Chrome	2332-595-30
--------------------	-------------



开孔尺寸
Panel cutout

锌合金阻尼铰链, 不锈钢销轴
Zinc screw-in torque hinge, SUS pin
对称扭矩 N.m Symmetric N.m

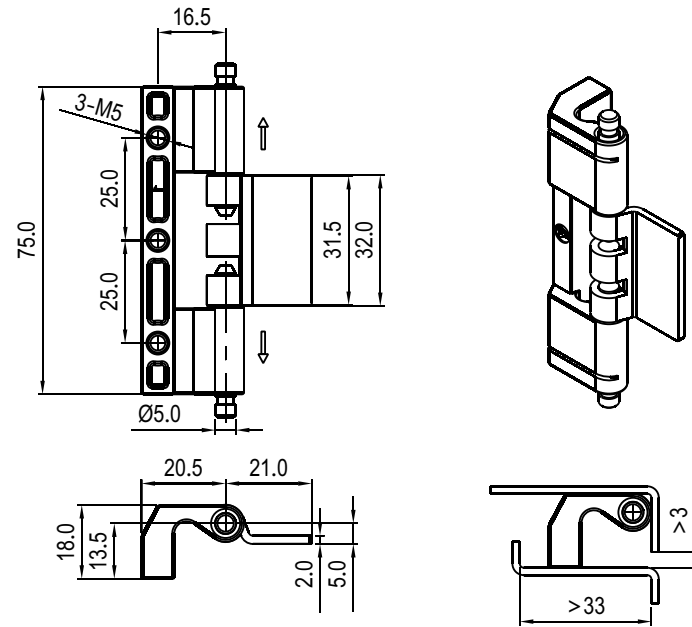
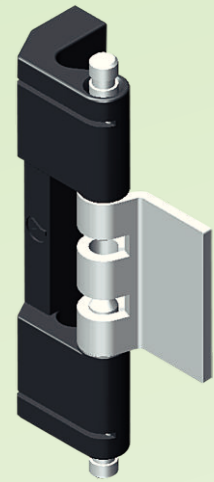
	麻面黑 Black Textured Powder Coated	灰色 Gray
自由摆动 Free Operating	2338-6000-20	2338-6000-22
1.36	2338-6136-20	2338-6136-22
2.26	2338-6226-20	2338-6226-22
3.16	2338-6316-20	2338-6316-22
4.07	2338-6407-20	2338-6407-22

不对称扭矩 N.m Asymmetric N.m

向前扭矩 N.m Forward Torque N.m	反向扭矩 N.m Reverse Torque N.m	麻面黑 Black Textured Powder Coated	灰色 Gray
2.3	1.4	2338-623F-20	2338-623F-22
3.2	1.9	2338-632F-20	2338-632F-22
4.1	2.4	2338-641F-20	2338-641F-22
5	3	2338-650F-20	2338-650F-22
1.4	2.3	2338-614R-20	2338-614R-22
1.9	3.2	2338-619R-20	2338-619R-22
2.4	4.1	2338-624R-20	2338-624R-22
3	5	2338-630R-20	2338-630R-22

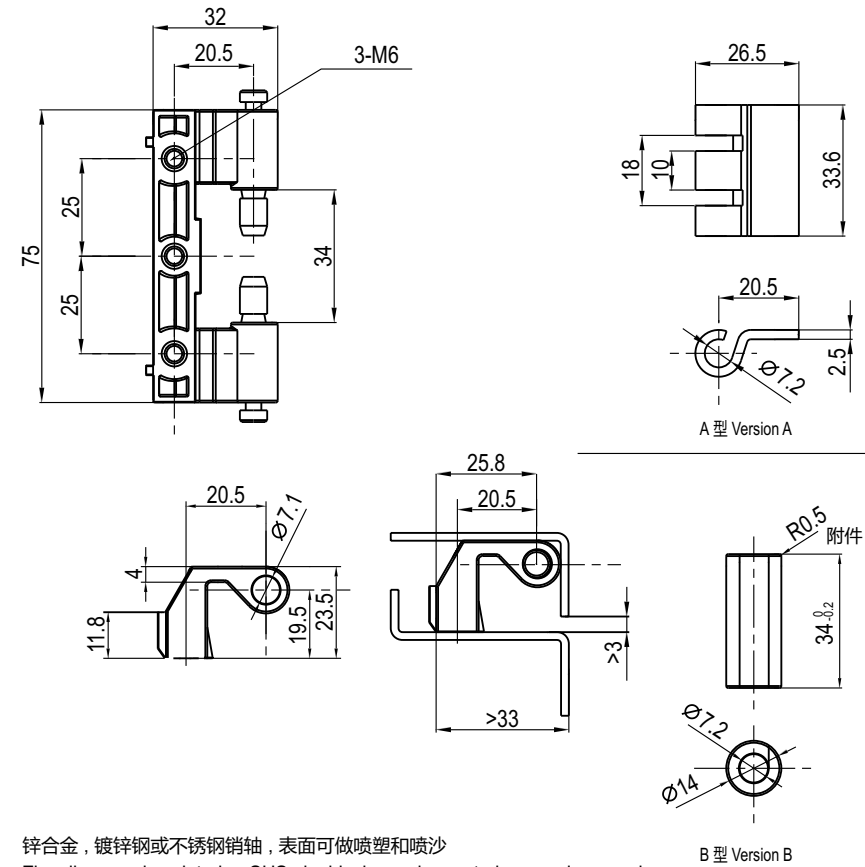
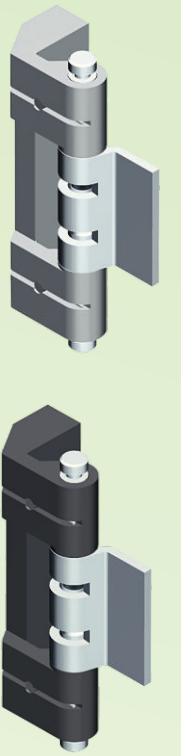
注：
寿命试验次数数据：25000次

CYCLE LIFE:
Within 25,000 cycles static torque stay
Within ±20% of torque specifaton.



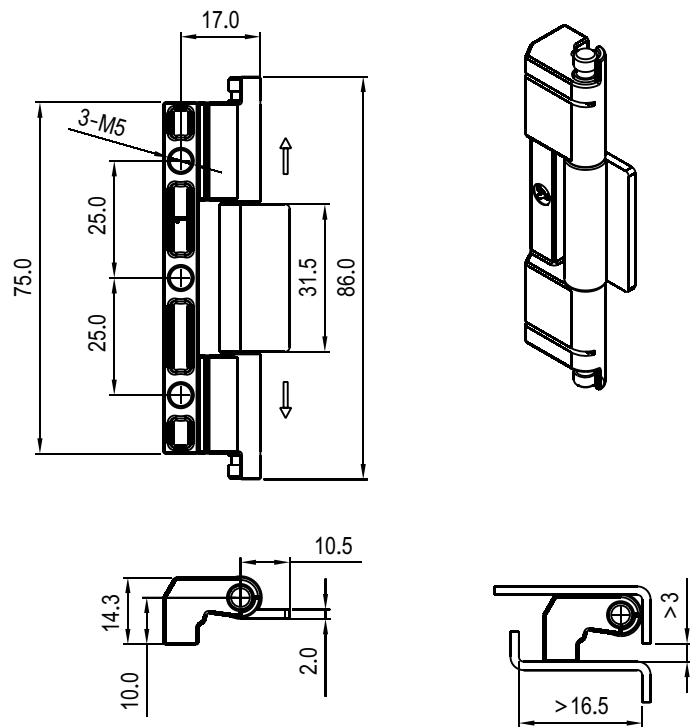
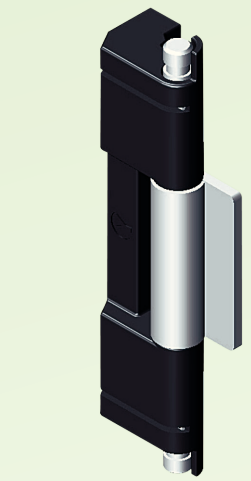
锌合金,镀锌钢或不锈钢销轴,表面可做塑和喷沙
Zinc die,Zinc plated or SUS pin,black powder coated or sand sprayed

喷塑麻面黑 Black Textured Powder Coated	喷沙 Sand sprayed
2401-115-20	2401-115-77



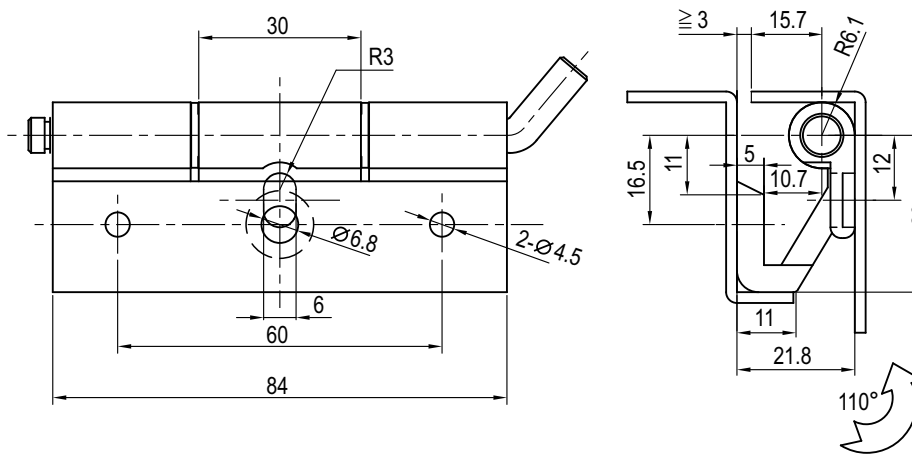
锌合金,镀锌钢或不锈钢销轴,表面可做喷塑和喷沙
Zinc die,m.s. zinc plated or SUS pin, black powder coated or sand sprayed

附件类型 Weld-on part version	喷塑黑 Black Powder Coated	喷沙 Sand sprayed
A型 Version A	2401-111-10	2401-111-77
B型 Version B	2401-112-10	2401-112-77



锌合金,镀锌钢或不锈钢销轴,表面可做塑和喷沙
Zinc die,Zinc plated or SUS pin,black powder coated or sand sprayed

喷塑麻面黑 Black Textured Powder Coated	喷沙 Sand sprayed
2401-116-20	2401-116-77



锌合金,镀锌钢或不锈钢销轴,表面喷塑黑
Zinc die, black powder coated ,m.s. zinc plated or SUS pin.

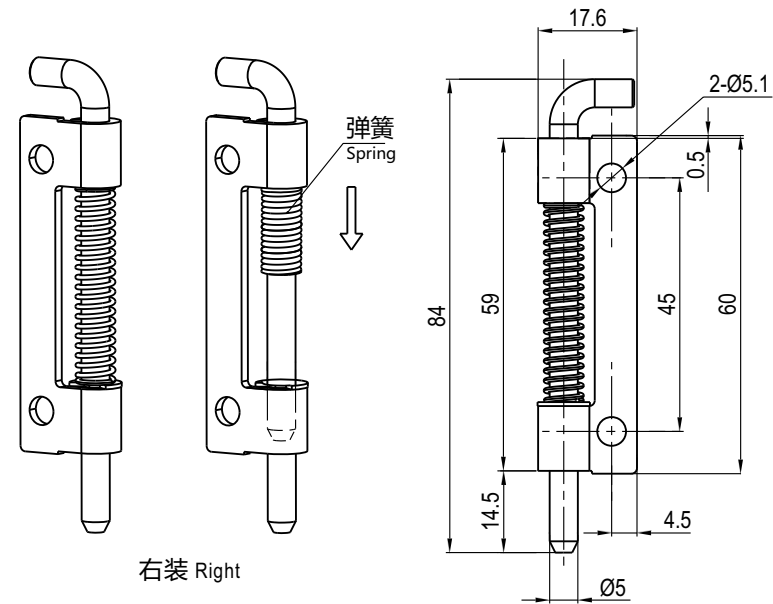
喷塑黑 Black Powder Coated	2402-10
-------------------------	---------



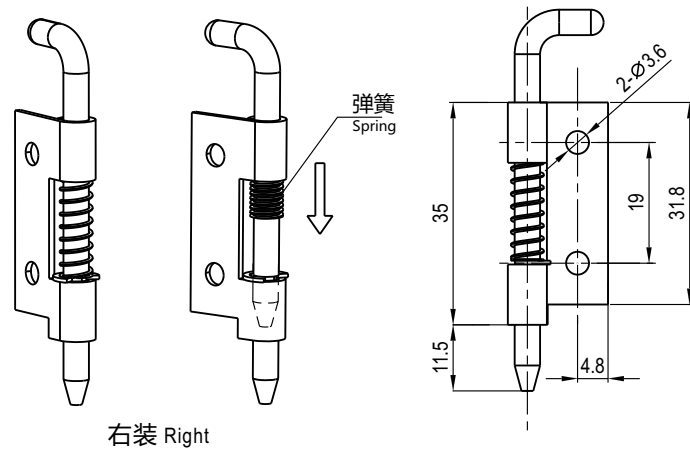
产品正在开发中
Under development,
shall be available on
June, 2018.



大型
Large size

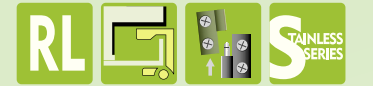
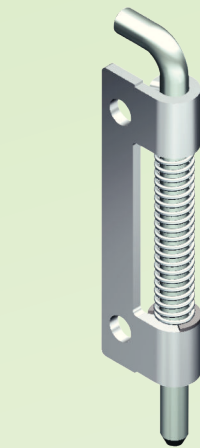


小型
Small size

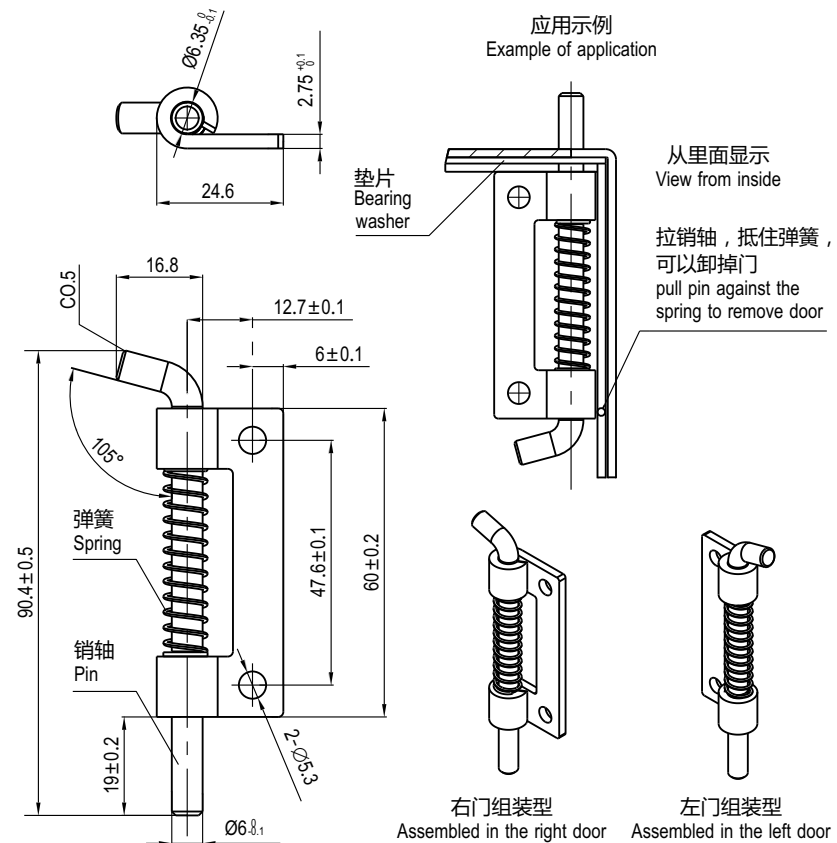


镀锌钢
M.S. zinc plated
材质可做全不锈钢
SUS material upon request

	螺丝固定型 Screw on version		焊接固定型 Weld on version	
	左装 Left	右装 Right	左装 Left	右装 Right
大型 Large size	2404-01-L	2404-01-R	2404-11-L	2404-11-R
小型 Small size	2404-02-L	2404-02-R	2404-12-L	2404-12-R

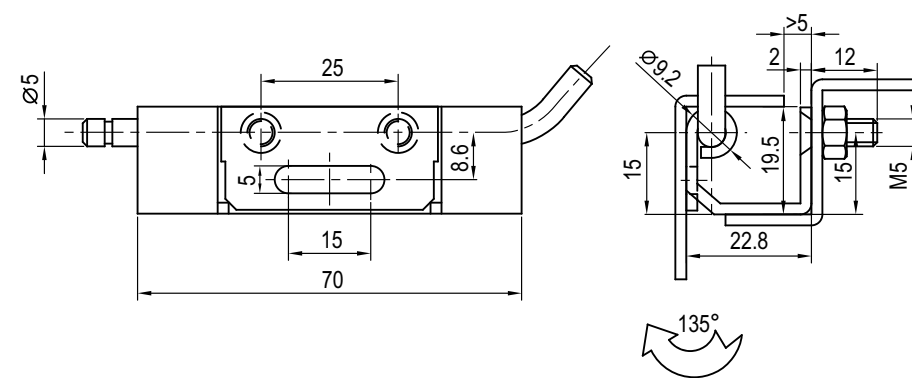


应用示例
Example of application



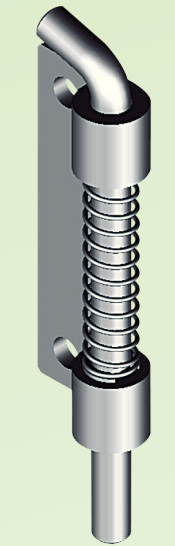
镀锌钢或不锈钢
M.S. zinc plated or stainless steel

	螺丝固定型 Screw on version	
	左装 Left	右装 Right
铁镀锌 M.S. zinc plated	2404-04-01L	2404-04-01R
不锈钢 304 SUS 304	2404-04-304L	2404-04-304R

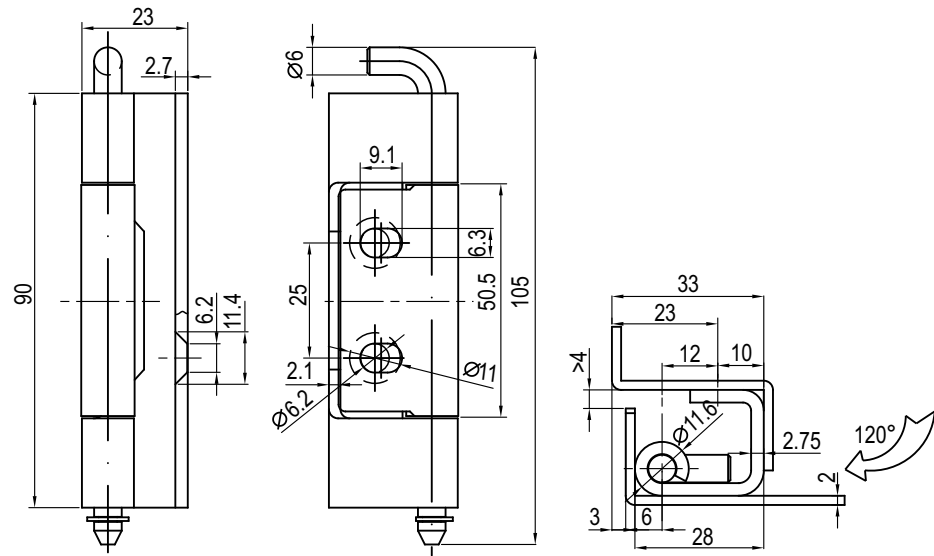
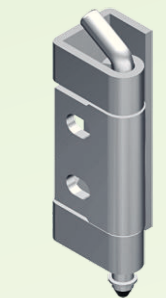
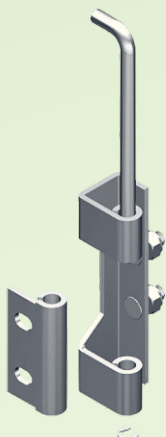
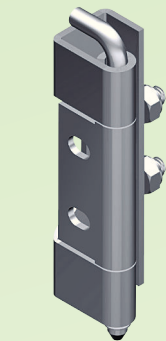
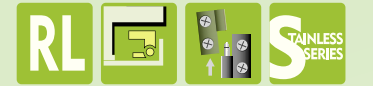


镀锌钢
M.S. zinc plated

2405-01

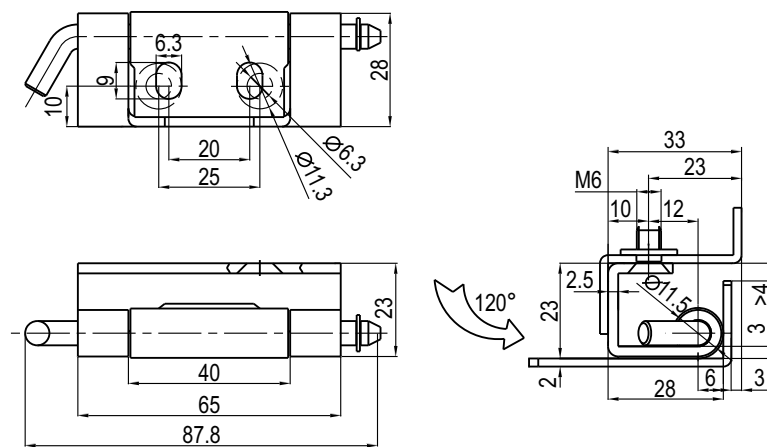


产品正在开发中
Under development,
shall be available on
June, 2018.



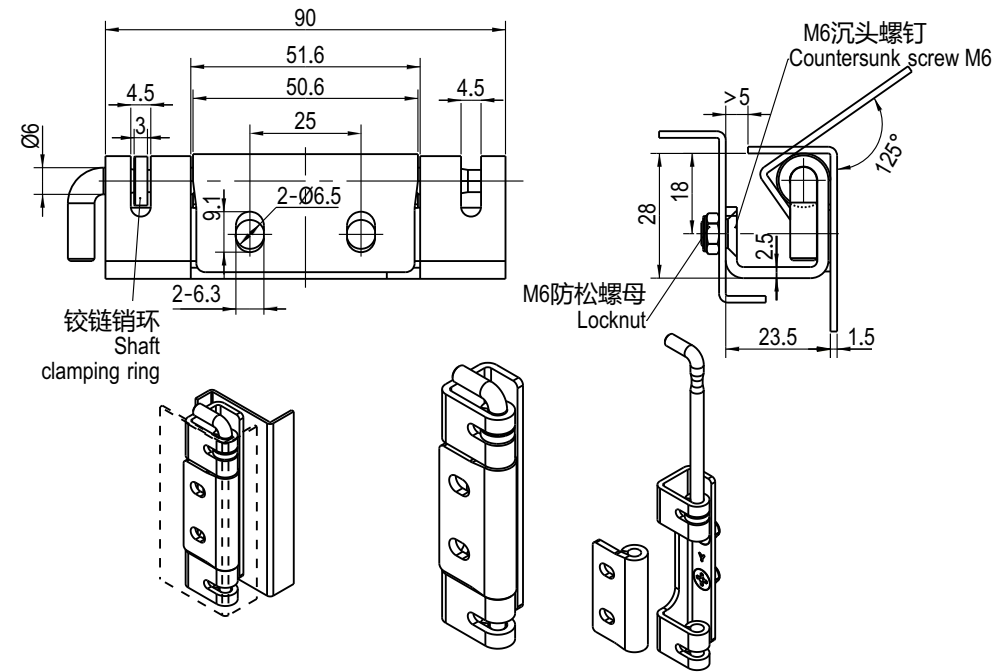
镀锌钢或不锈钢
M.S zinc plated or stainless steel

不锈钢 304 SUS 304	镀锌钢 Steel
2408-01-304	2408-01-01



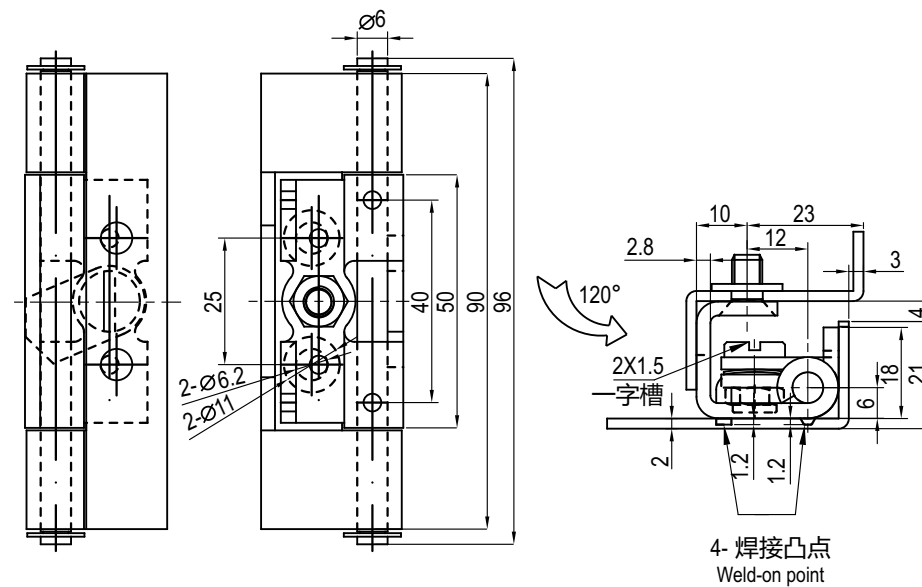
镀锌钢或不锈钢
M.S. zinc plated or stainless steel

不锈钢 304 SUS 304	镀锌钢 Steel
2408-02-304	2408-02-01



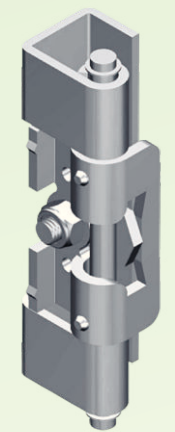
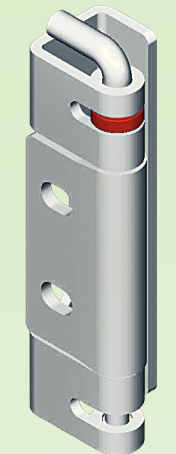
镀锌钢或不锈钢，铰链销环，聚甲醛，红色
M.S. zinc plated or stainless steel, shaft clamping ring: POM, red

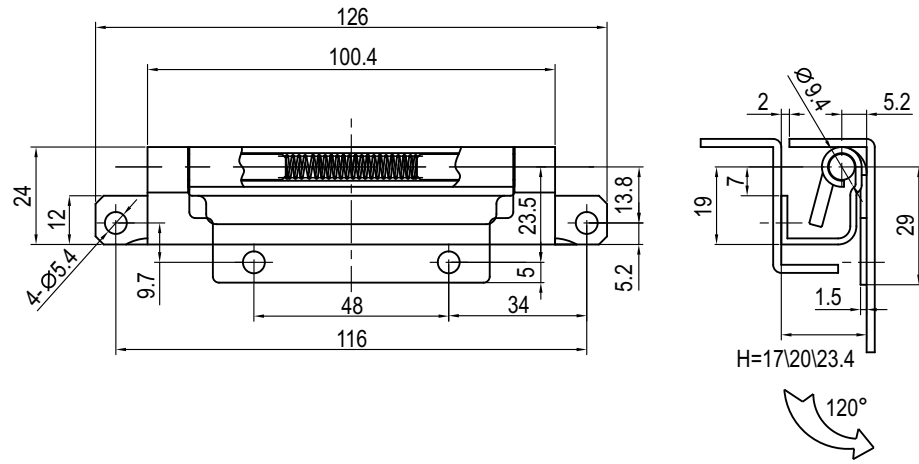
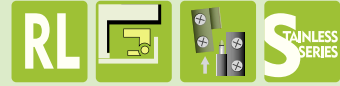
不锈钢 304 SUS 304	镀锌钢 M. S zinc plated
2408-03-304	2408-03-01



镀锌钢或不锈钢
M.S. zinc plated or stainless steel

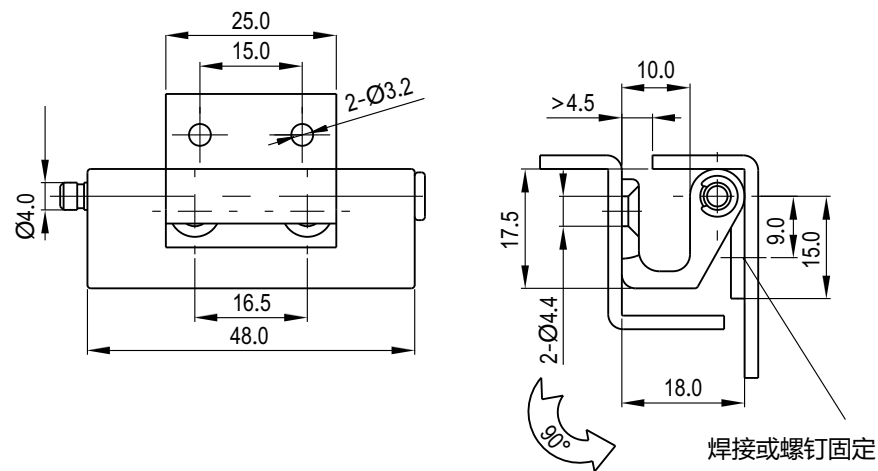
不锈钢 304 SUS 304	镀锌钢 Steel
2409-304	2409-01





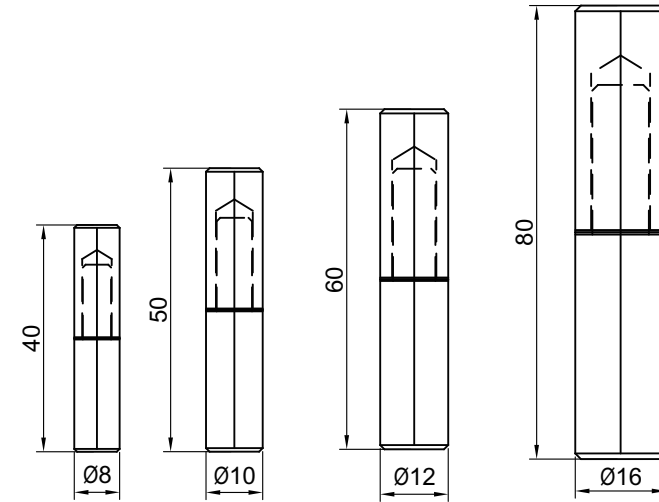
镀锌钢或不锈钢
M.S. zinc plated or stainless steel

高度 Height	不锈钢 304 SUS 304	镀锌钢 Steel
H=17	2410-17-304	2410-17-01
H=20	2410-20-304	2410-20-01
H=23.4	2410-234-304	2410-234-01



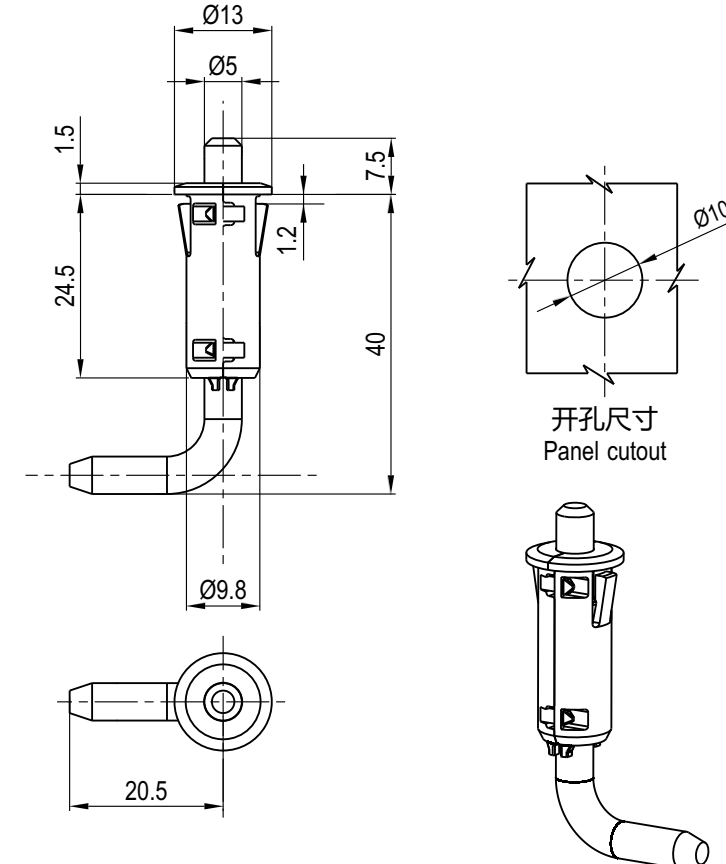
锌合金, 镀锌钢或不锈钢销轴, 表面喷塑黑
Zinc die, black powder coated, m.s. zinc plated or SUS pin.

2411-02-20



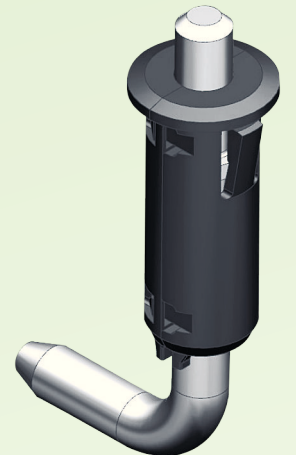
镀锌钢或不锈钢
M.S. zinc plated or stainless steel

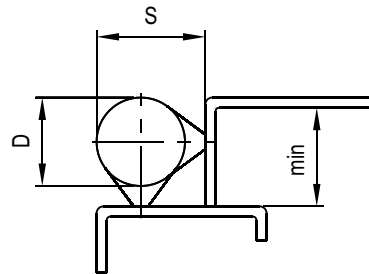
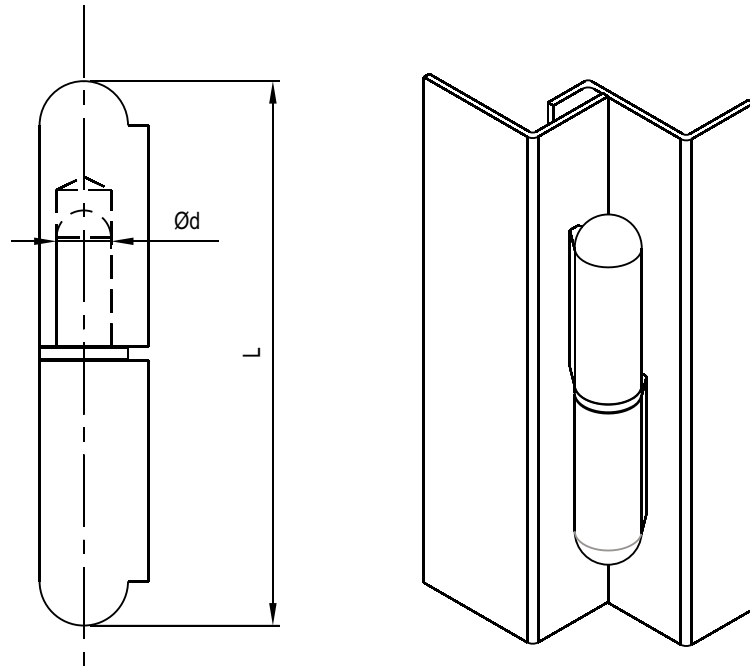
	长度 L=40	长度 L=50	长度 L=60	长度 L=80
不锈钢 304 SUS 304	2412-40-304	2412-50-304	2412-60-304	2412-80-304
镀锌钢 Steel	2412-40-01	2412-50-01	2412-60-01	2412-80-01



黑色PA铰链, 锌合金销轴
Black PA housing, zinc die pin shaft

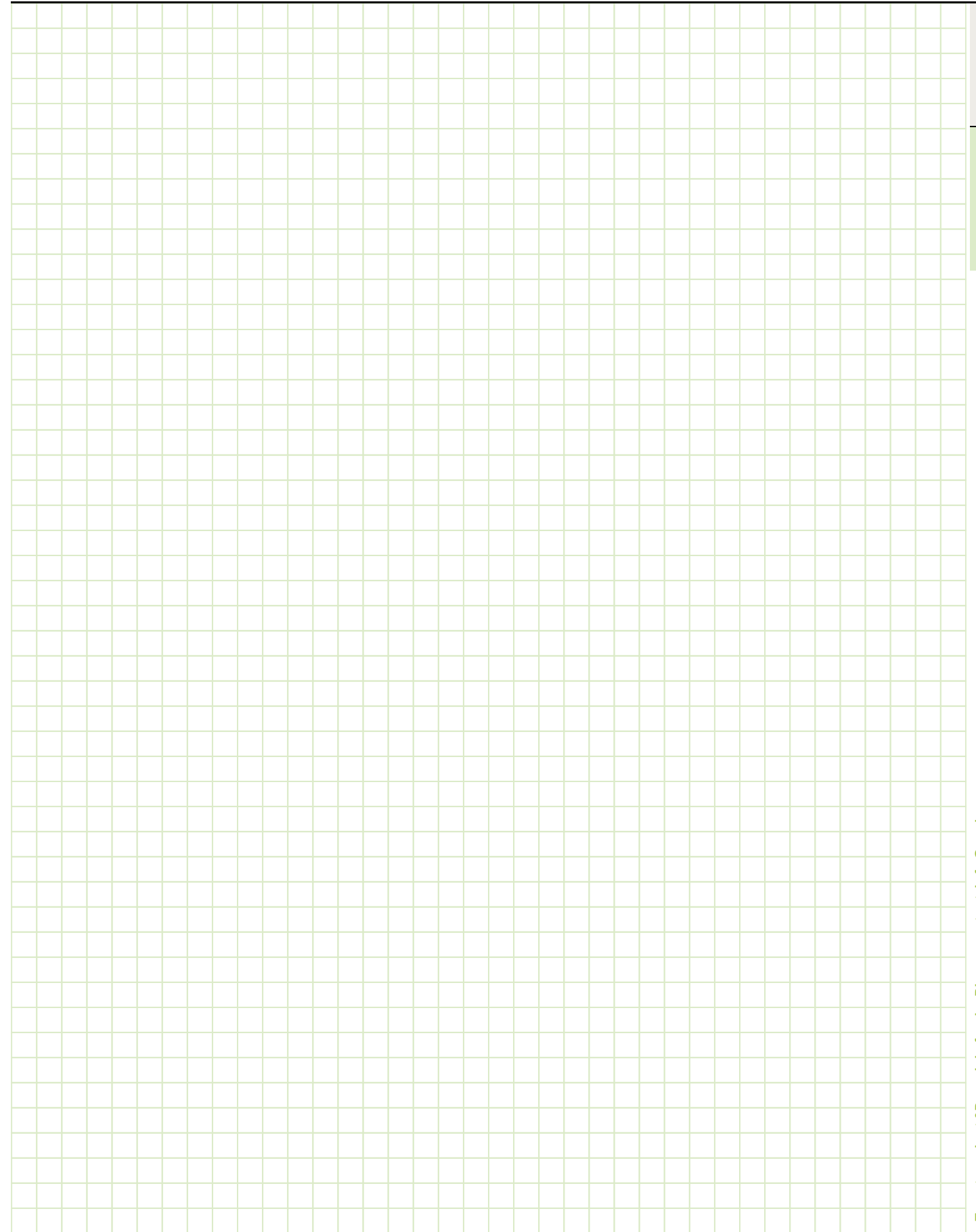
2414-01-90





铁铰链, 铁销轴或铜销轴, 或全不锈钢铰链
 M.S Raw with M.S pin or brass pin, or full stainless steel.

L	D	d	S	铁销轴 m.s raw m.s pin	铜销轴 m.s raw brass pin	全不锈钢 SUS 304
40	Ø8	Ø5	9.5	2416-40A-01	2416-40A-59	2416-40A-304
50	Ø8	Ø5	9.5	2416-50A-01	2416-50A-59	2416-50A-304
60	Ø10	Ø6	12.0	2416-60A-01	2416-60A-59	2416-60A-304
70	Ø11.5	Ø7	13.5	2416-70A-01	2416-70A-59	2416-70A-304
80	Ø13	Ø8	15.5	2416-80A-01	2416-80A-59	2416-80A-304
100	Ø16	Ø10	20.0	2416-100A-01	2416-100A-59	2416-100A-304
120	Ø16	Ø11	20.0	2416-120A-01	2416-120A-59	2416-120A-304
135	Ø18	Ø12	22.0	2416-135A-01	2416-135A-59	2416-135A-304
150	Ø20	Ø13	25.0	2416-150A-01	2416-150A-59	2416-150A-304
180	Ø20	Ø14	25.0	2416-180A-01	2416-180A-59	2416-180A-304
200	Ø23	Ø16	28.5	2416-200A-01	2416-200A-59	2416-200A-304

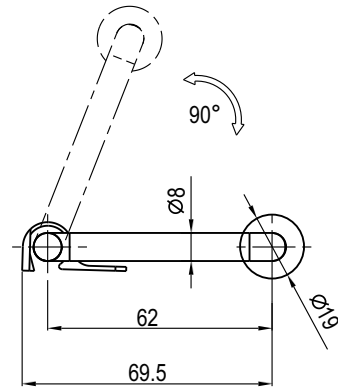
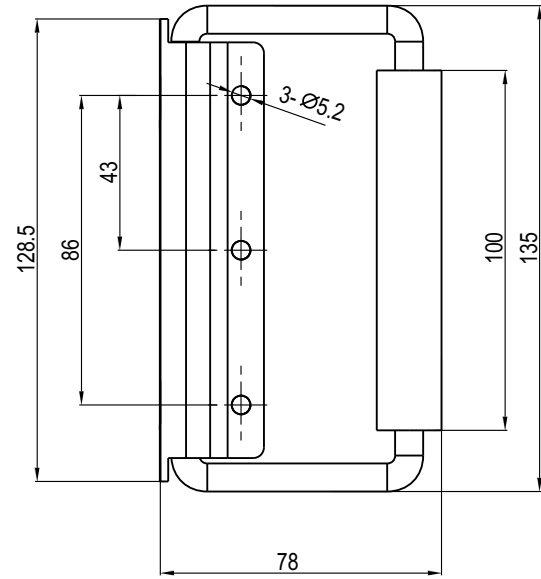
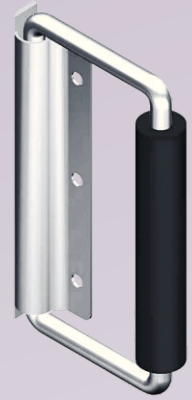


自回弹式拉手 Spring loaded handle

产品系列：3101

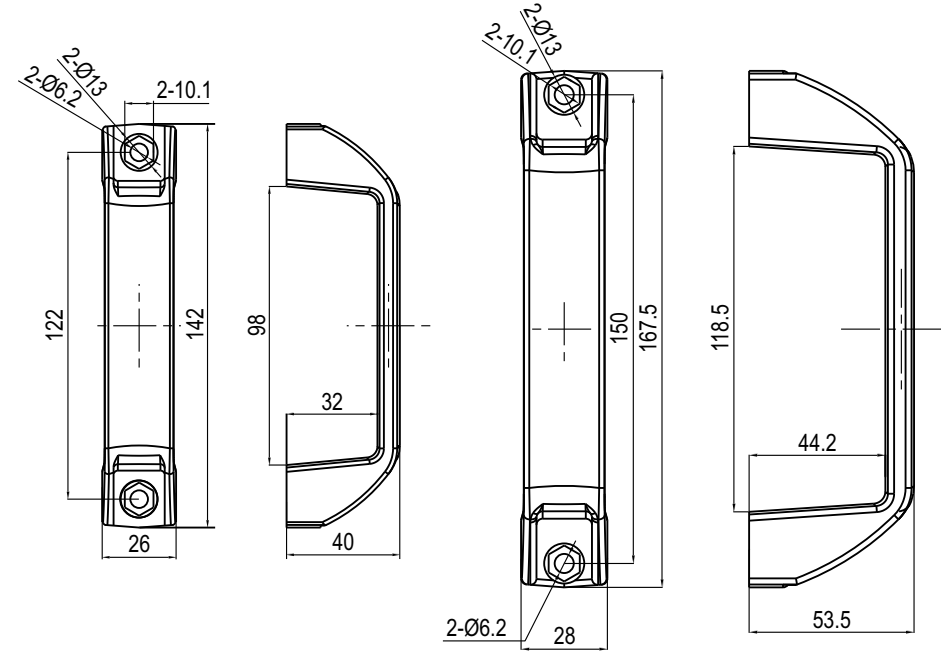
U型拉手 U shape Handle

产品系列：3201



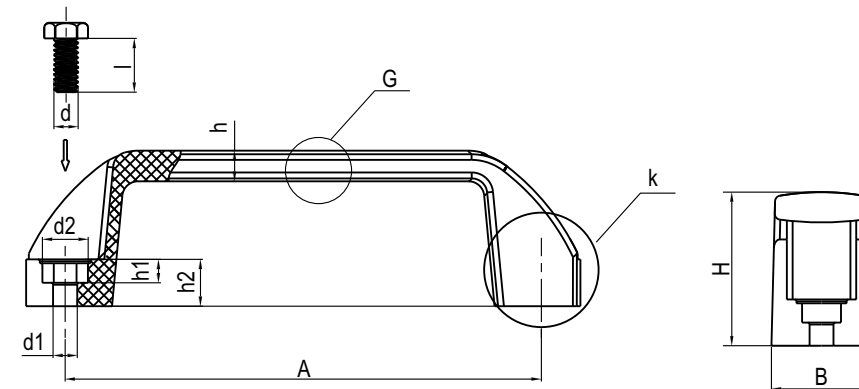
镀锌钢，橡胶套
M.S. zinc plated, rubber cover

3101-01



黑色塑料
PA6 GF30, black

中型 Middle size L=122	3201-122
长型 Long size L=150	3201-150



铝合金，喷塑黑
Aluminium alloy, black powder coated

	描述 Description	A	d	d1	d2	h1	h2	B	H	h
3201-090	90x6.5	90	M6		12	7	12	20	36	6
3201-120	120x8.5	120	M8		15	9	15	26	40	7
3201-180	180x8.5	180	M8		15	9	18	28	50	8

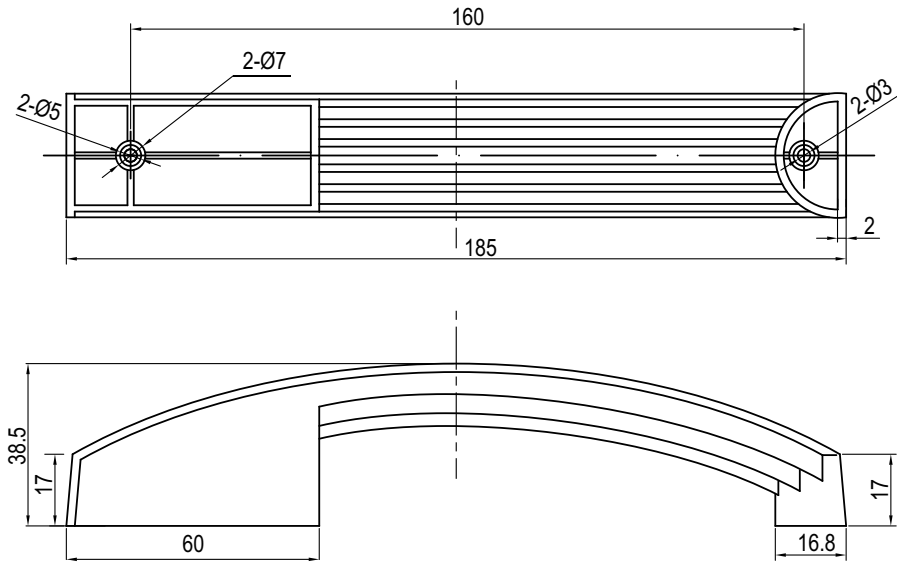


U 型拉手 U shape Handle

产品系列：3202、3203

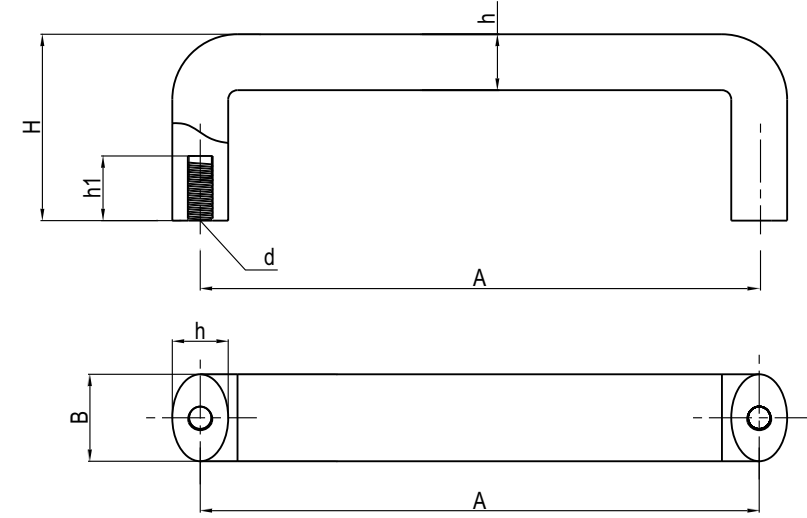
U 型拉手 U shape Handle

产品系列：3204、3205



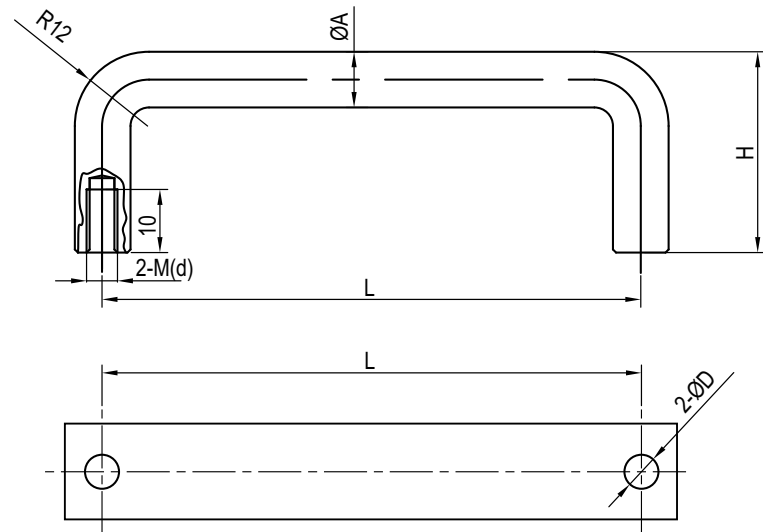
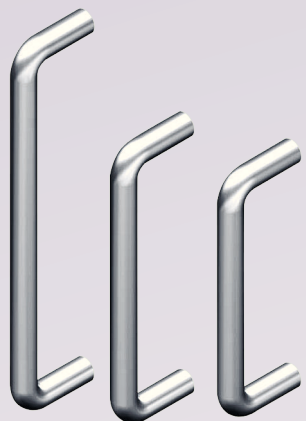
黑色或灰色塑料
PA6 GF30, black or gray

3202-185



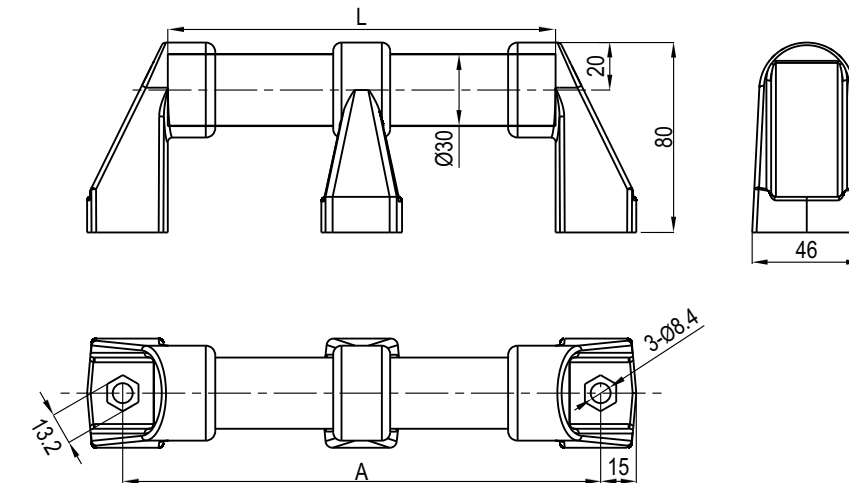
黑色塑料
PA6 GF30, black

	描述 Description	A	H	d	h1	B	h
3204-090	90xM6	90	50	M6	14	28	18
3204-120	120xM8	120	60	M8	16	28	20
3204-180	180xM8	180	60	M8	16	28	20
3204-240	240xM8	240	60	M8	16	28	20



钢, 镀亮铬 或 全不锈钢
Steel, bright chrome, or stainless steel

L	A	H	D	d	不锈钢 304 SUS 304	钢 Steel
87	Ø9	40	2-Ø6	2-M5	3203-08740-9304	3203-08740-901
100	Ø9	40	2-Ø6	2-M5	3203-10040-9304	3203-10040-901
120	Ø9	40	2-Ø6	2-M5	3203-12040-9304	3203-12040-901
135	Ø9	40	2-Ø6	2-M5	3203-13540-9304	3203-13540-901
150	Ø9	40	2-Ø6	2-M5	3203-15040-9304	3203-15040-901



黑色PA+GF
端件Ending base:3205-01
中间件Middle base:3205-02
直径30钢管 Tube: 3205-03-A (见下表, see below table)

L	A	L	A
266	300	366	400
466	500	566	600
666	700	766	800

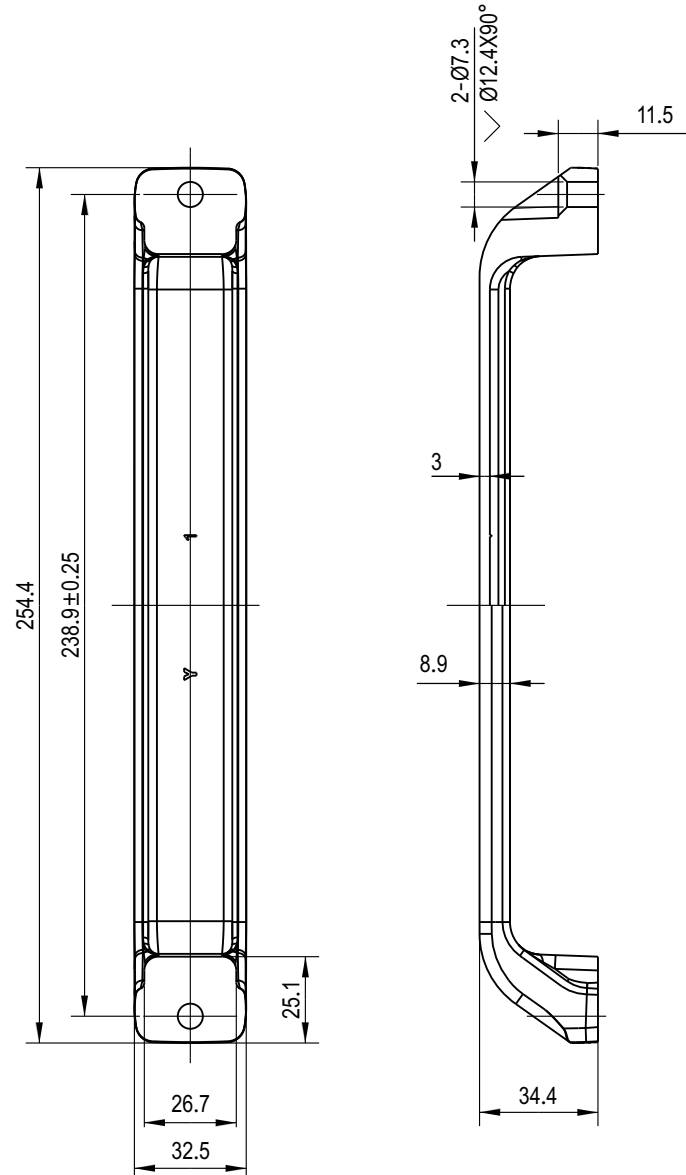
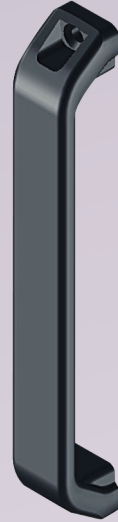


U 型拉手 U shape Handle

产品系列：3206

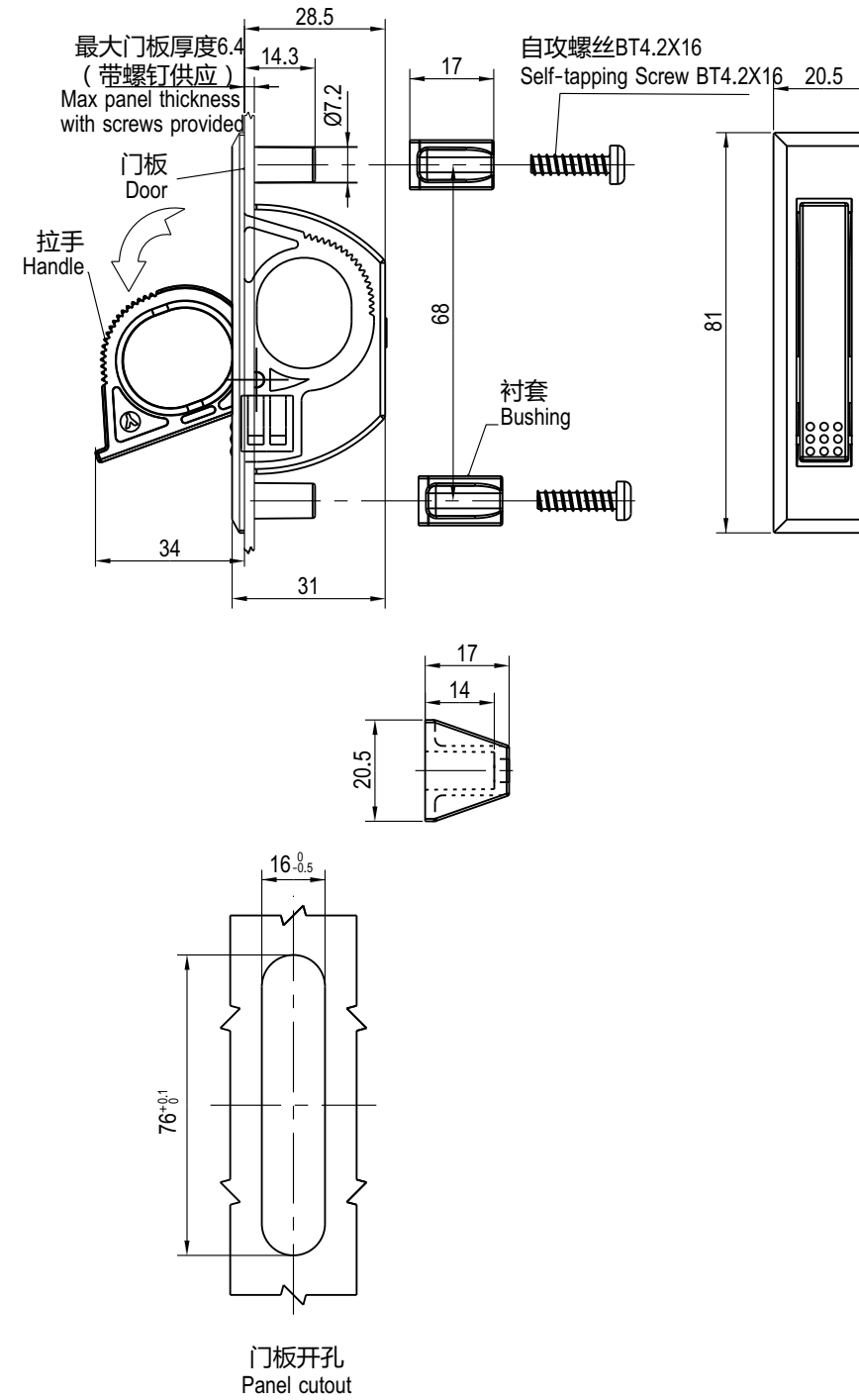
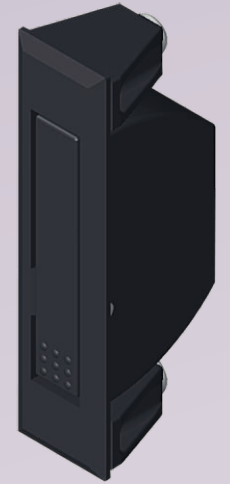
隐藏式拉手 Concealed Pull Assembly

产品系列：3207



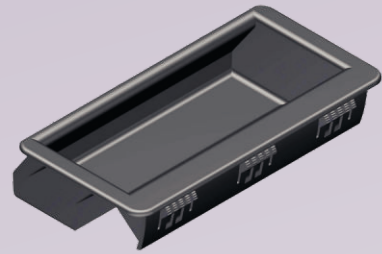
锌合金，表面处理可做喷塑无光黑
Zinc die, black smooth powder coated

中心距	
L=238.85	3206-239-10

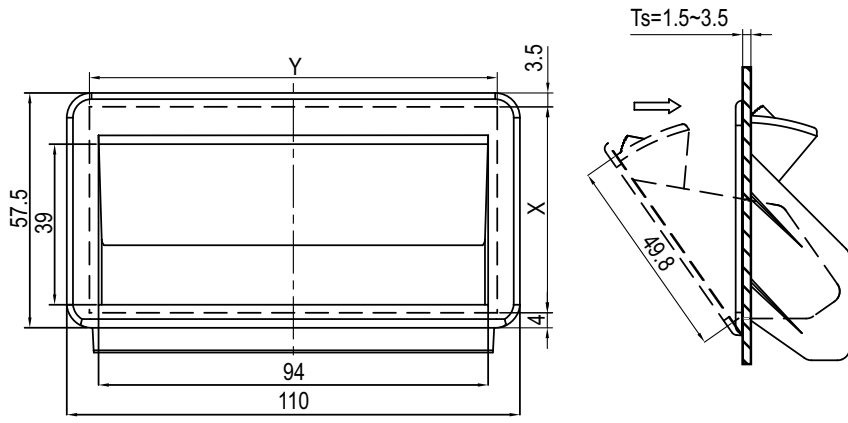


尼龙拉手和锁壳，乙缩醛衬套，不锈钢304自攻螺丝和销轴，表面处理做黑色
PA6 handle and housing, POM bushing, SUS304 self-tapping screw and pin, black finish

中型 Middle Size	
	3207-68-90



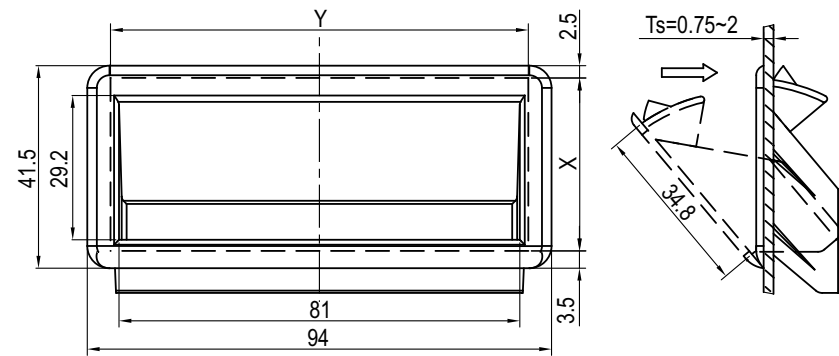
大型 Large size



开孔尺寸 Panel cutout

门板厚度 T_s (mm)	X	Y
1.5~2	49.8 +0.2	99.5
2~3	50 +0.3	99.5

小型 Small size

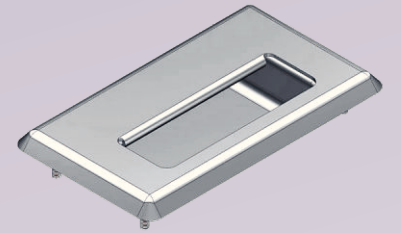


开孔尺寸 Panel cutout

门板厚度 T_s (mm)	X	Y
0.75~1	35 +0.2	85 +0.3
1~2	36 +0.2	85 +0.3

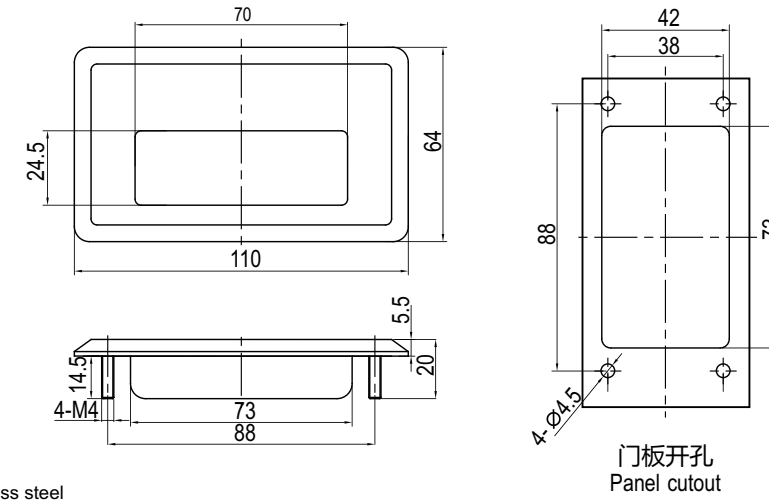
黑色塑料
PA6 GF30,black

大型 Large size	3301-01
小型 Small size	3301-02



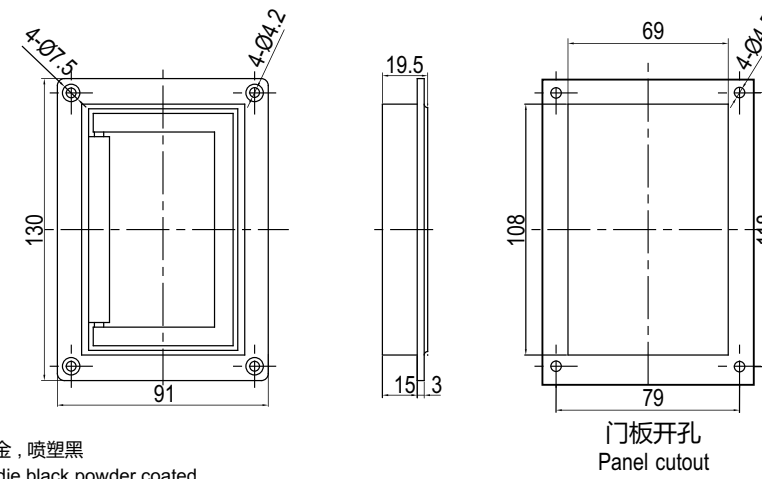
不锈钢
Stainless steel

3302-01



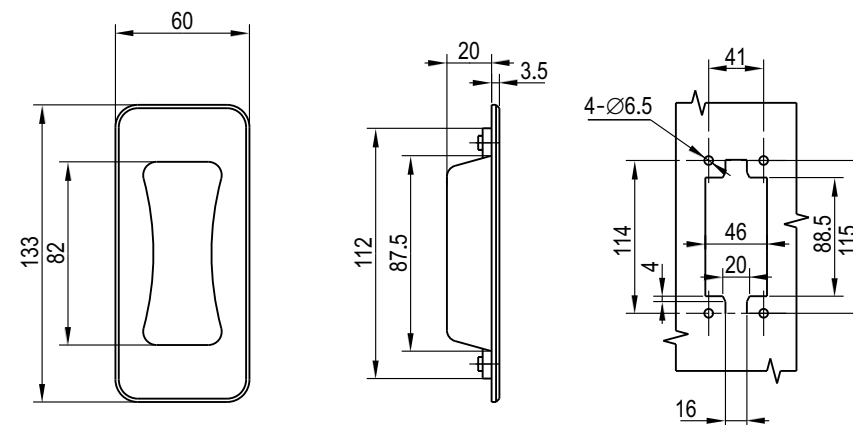
锌合金, 喷塑黑
Zinc die, black powder coated.

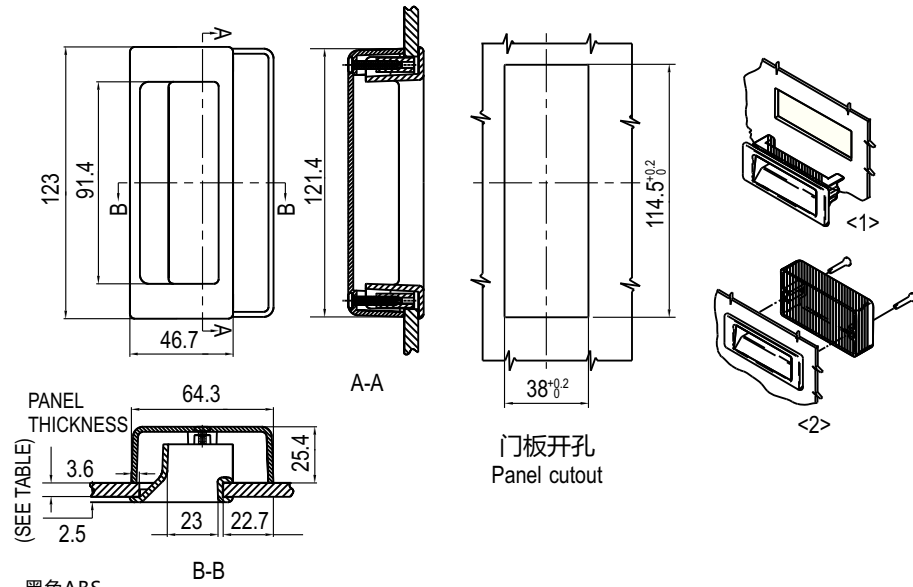
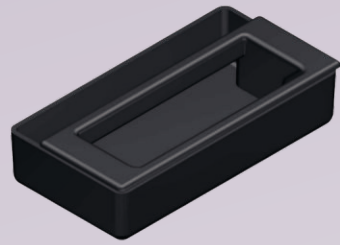
3303-01



锌合金, 喷塑黑
Zinc die, black powder coated.

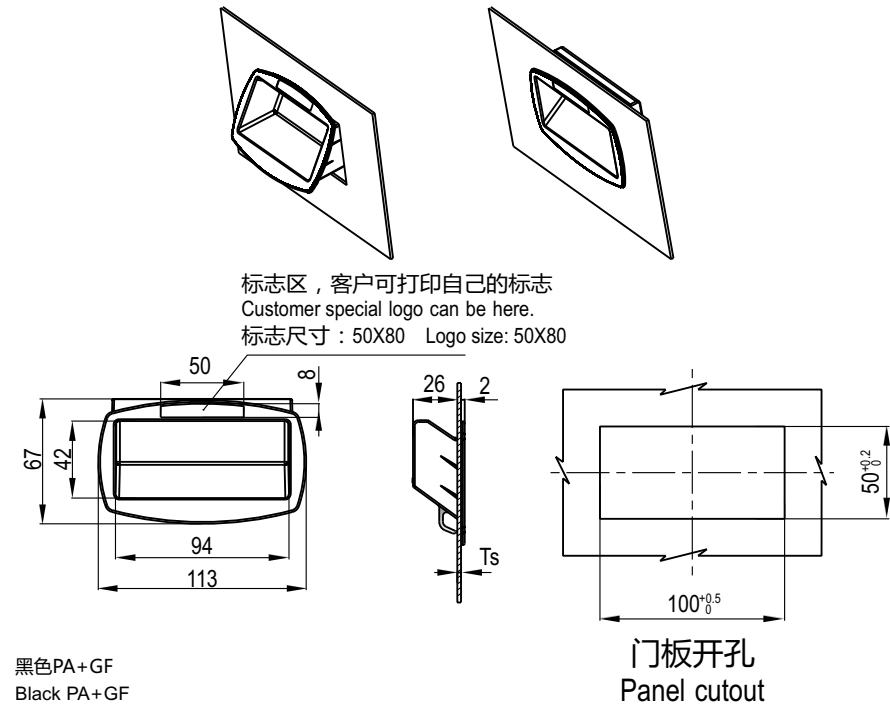
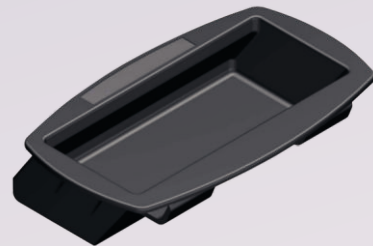
3308-01-20





黑色ABS
Black ABS

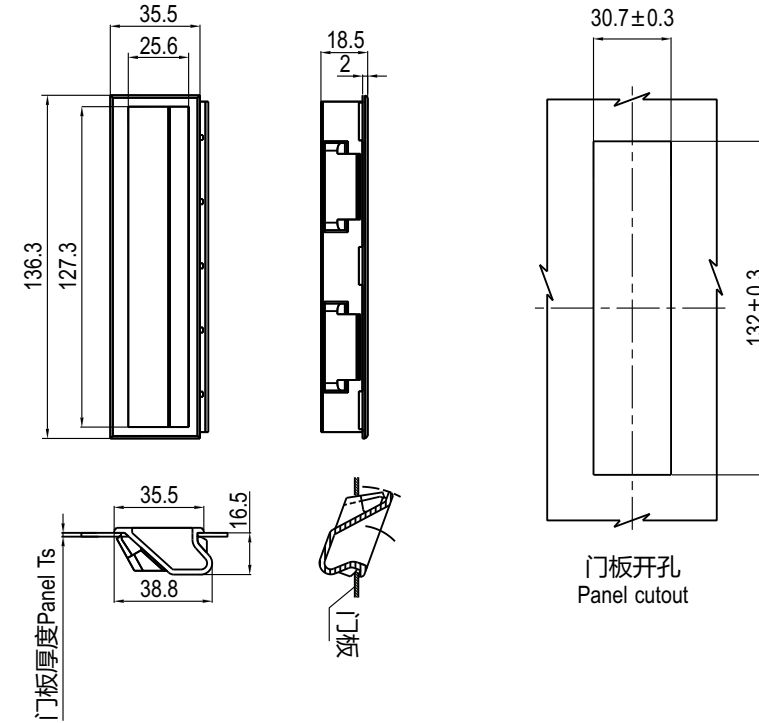
最小~最大	
1.0-1.8	3305-01
1.8-3.3	3305-02
3.3-4.8	3305-03
4.8-6.3	3305-04



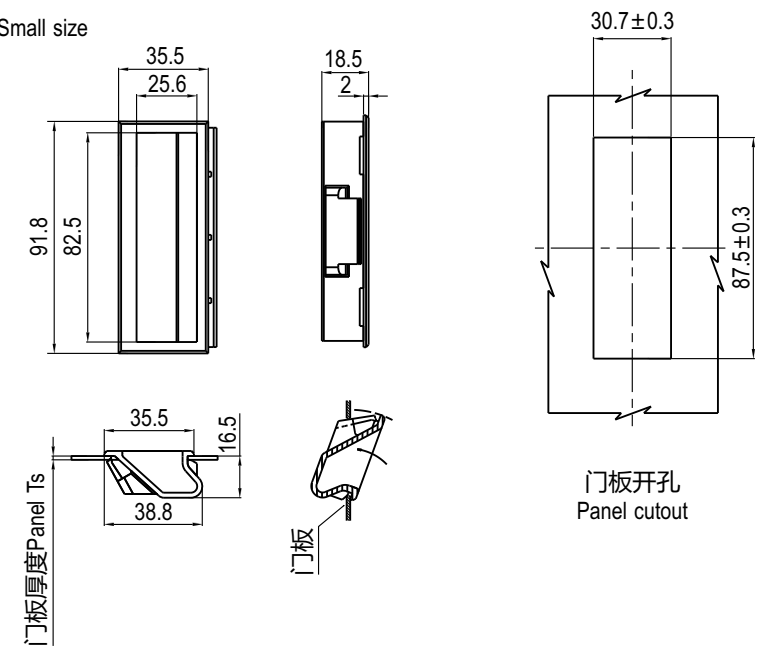
黑色PA+GF
Black PA+GF

门板厚度 最小~最大 Panel Ts= Min ~Max	
0.8~1.2	3307-01
1.2~1.6	3307-02
1.75~2.2	3307-03

大型 Large size

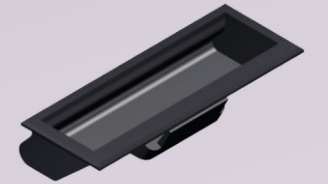
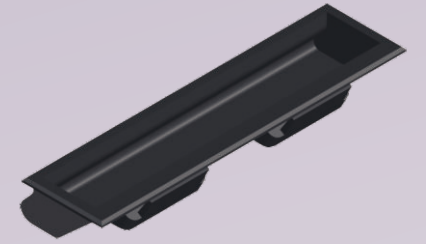


小型 Small size



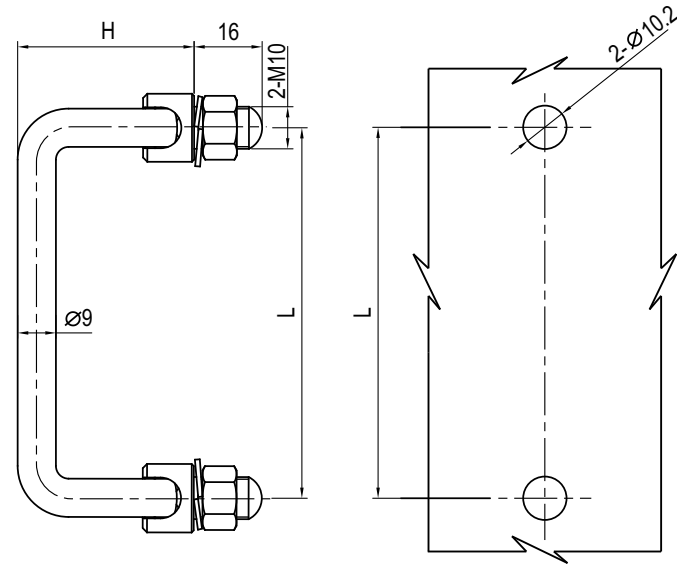
黑色ABS
Black ABS

门板厚度 最小~最大 Panel Ts= Min ~Max	尺寸 Size	
	大型 Large size	小型 Small size
1.0~1.4	3306-11	3306-21
1.4~1.8	3306-12	3306-22
1.8~2.1	3306-13	3306-23
2.1~2.5	3306-14	3306-24





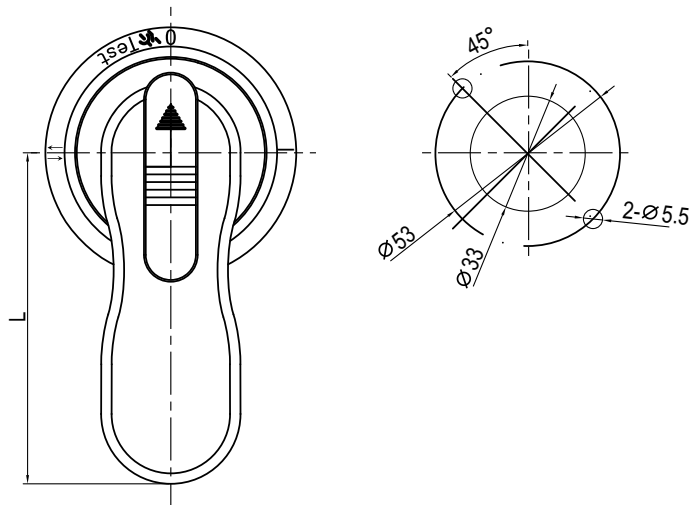
可折叠式拉手 Folding Handles



钢，镀亮铬 或 全不锈钢
Steel in bright chrome, or full stainless steel

长度 L	H=41.5, Ø 9.0	
	不锈钢 304 SUS 304	钢 Steel
L=87	3401-87-304	3401-87-30
L=100	3401-100-304	3401-100-30
L=120	3401-120-304	3401-120-30
L=135	3401-135-304	3401-135-30
L=150	3401-150-304	3401-150-30

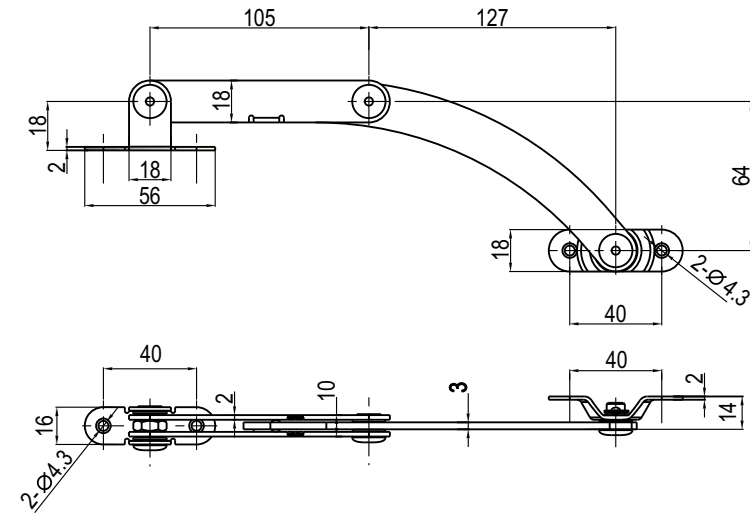
手柄 Handles



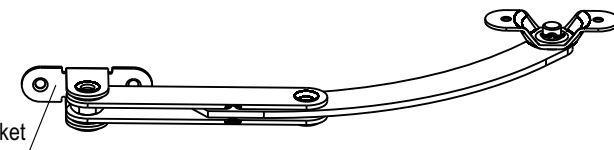
塑料，黑色或灰色
PA6 GF30, black or grey

长度 L	45	65	95	120
黑色 Black	3501-45-10	3501-65-10	3501-95-10	3501-125-10
灰色 Grey	3501-45-50	3501-65-50	3501-95-50	3501-125-50

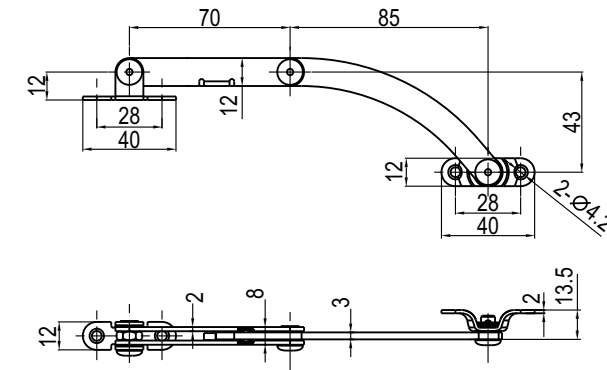
长型 Long size



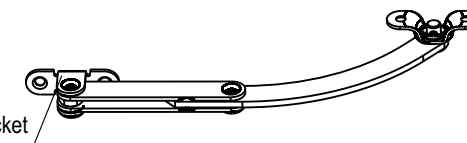
固定座
Mounting bracket



短型 Short size



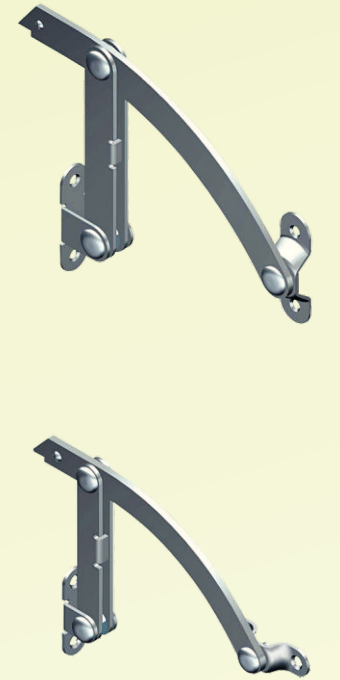
固定座
Mounting bracket



镀镍钢
M.S. nickel plated

	左开 Left opening	右开 Right opening
长型 Long size	6101-01L	6101-01R
短型 Short size	6101-02L	6101-02R

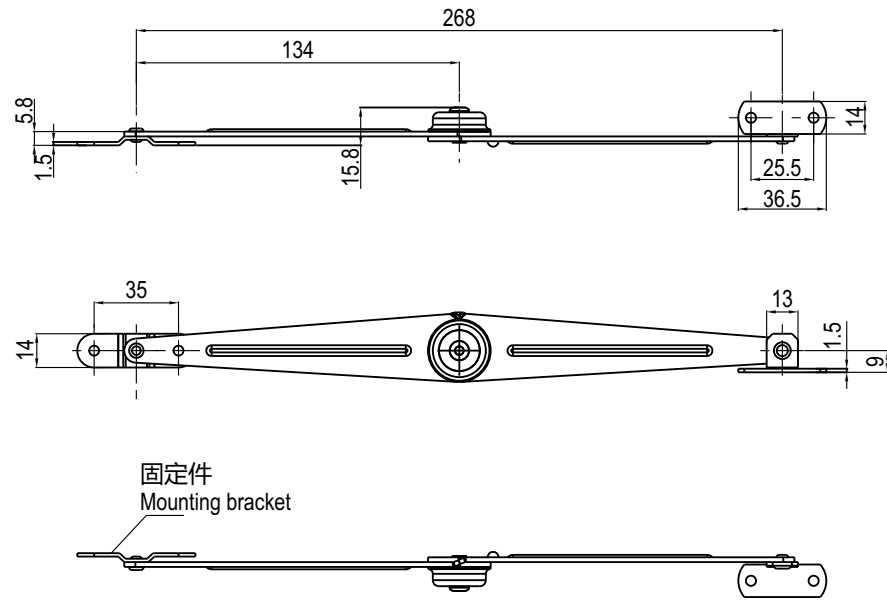
RL



yeeka Telescopic Cover Stay With Button

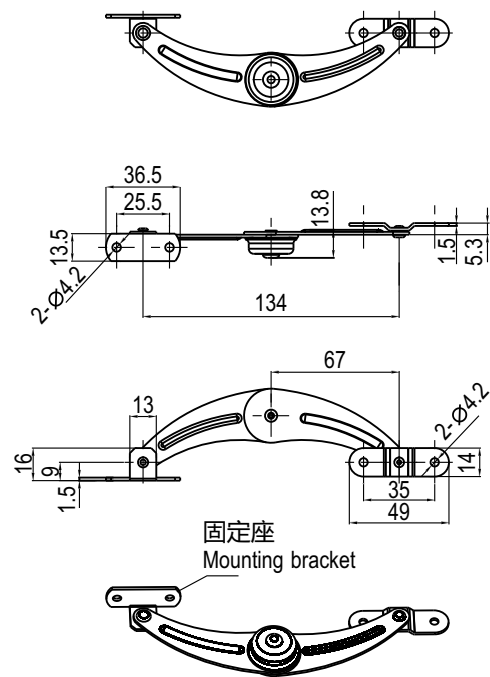
按钮式伸缩支撑
产品系列：6102、6103

RL



镀镍钢
M.S. nickel plated

左开 Left opening	6102-01
右开 Right opening	6102-02



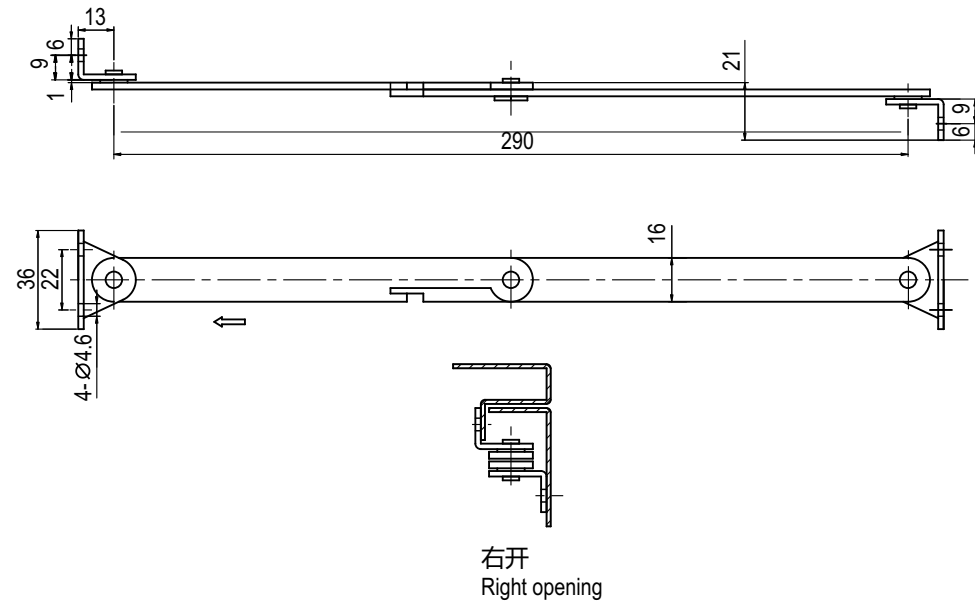
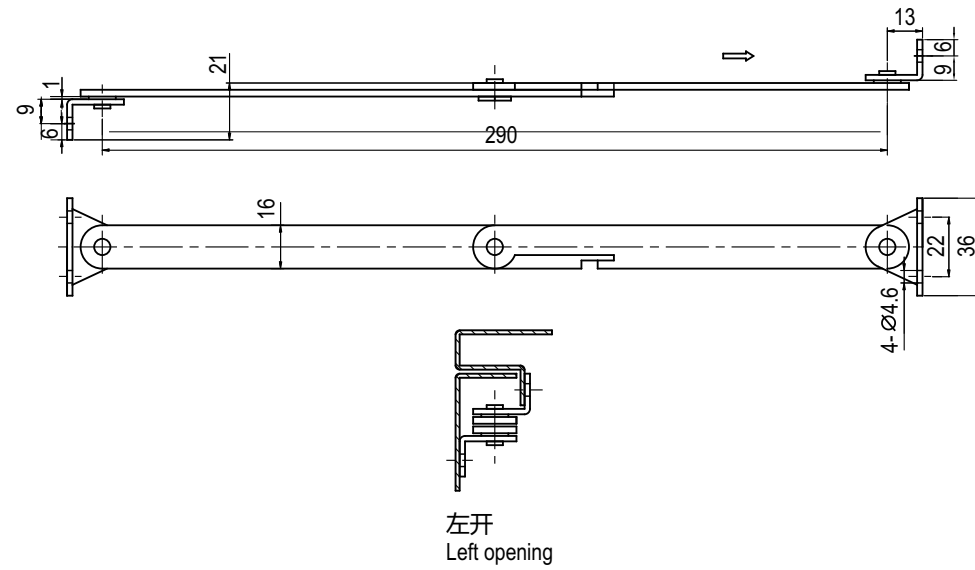
镀镍钢
M.S. nickel plated

左开 Left opening	6103-01
右开 Right opening	6103-02

滑动支撑 Telescopic Cover Stay

产品系列：6104

LRS STAINLESS SERIES



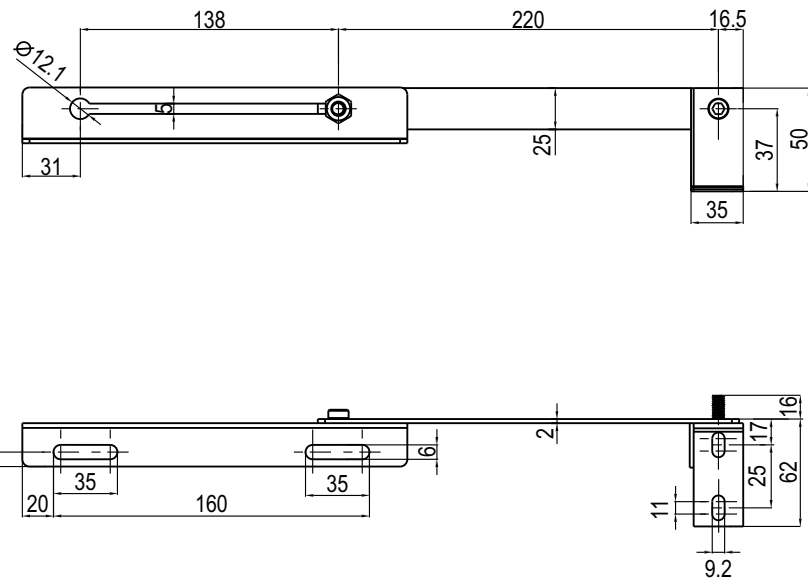
镀镍钢 或 全不锈钢
M.S. nickel plated or stainless steel

	钢镀镍 Steel in nickel plated	不锈钢 304 SUS 304
左开 Left opening	6104-01-00	6104-01-304
右开 Right opening	6104-02-00	6104-02-304

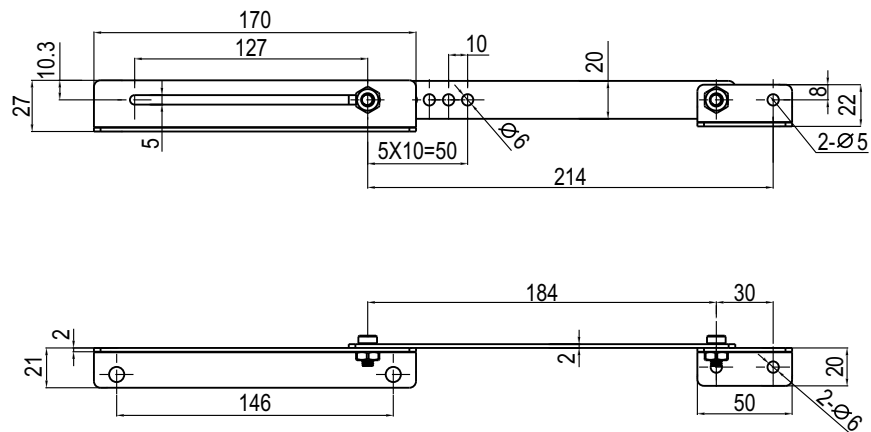




长型 Long size

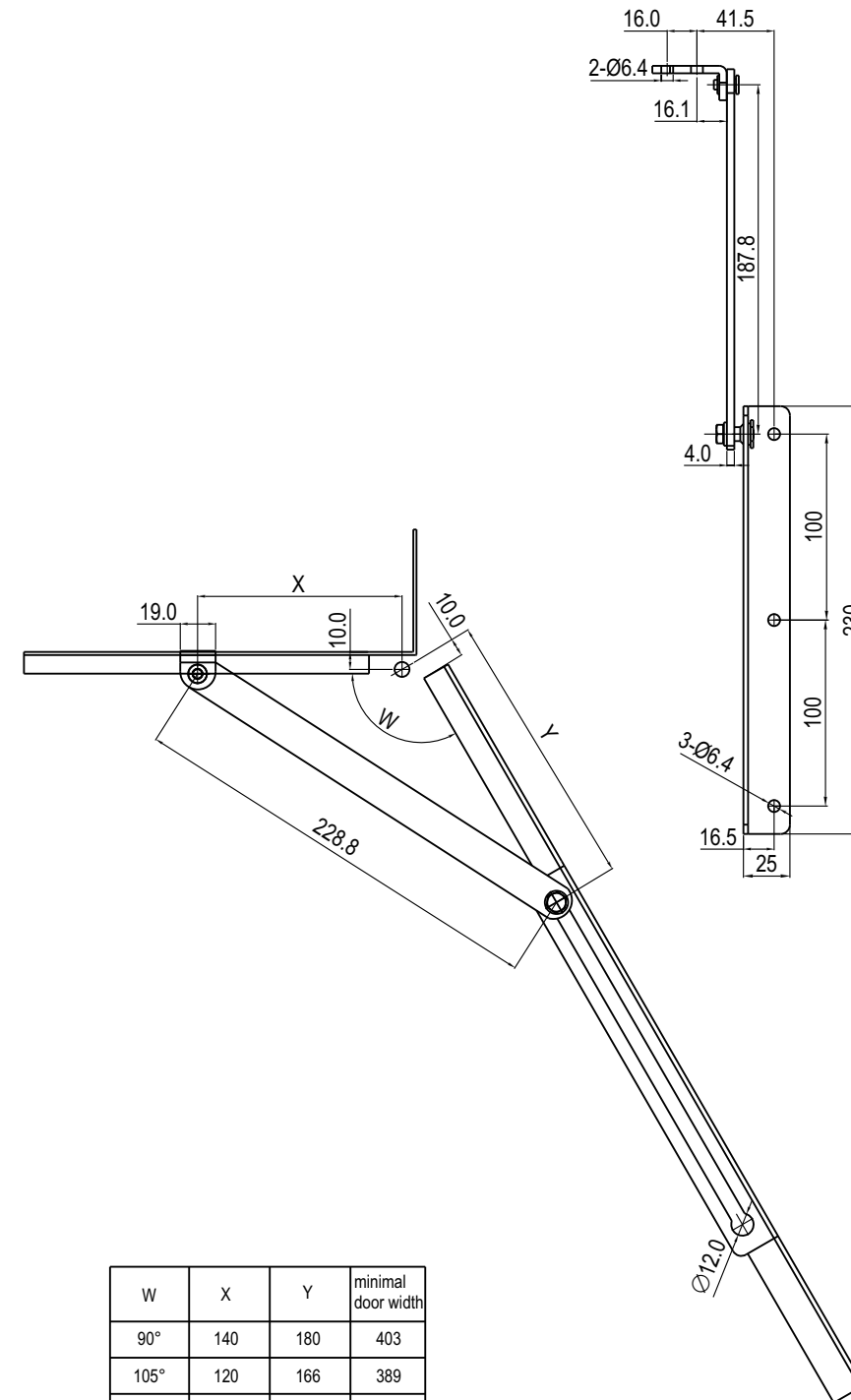
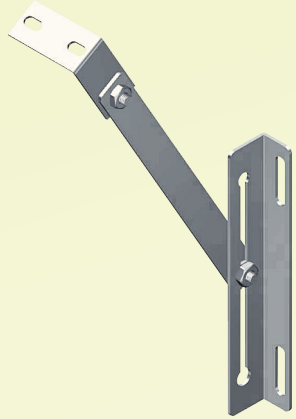


短型 Short size

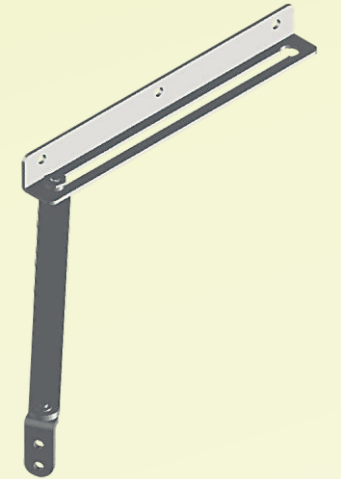


镀锌钢 或 全不锈钢
M.S. nickel plated or Stainless steel

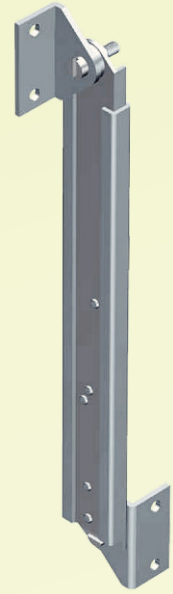
	钢镀锌 Steel in nickel plated	不锈钢 304 SUS 304
长型 Long size	6105-01-00	6105-01-304
短型 Short size	6105-02-00	6105-02-304



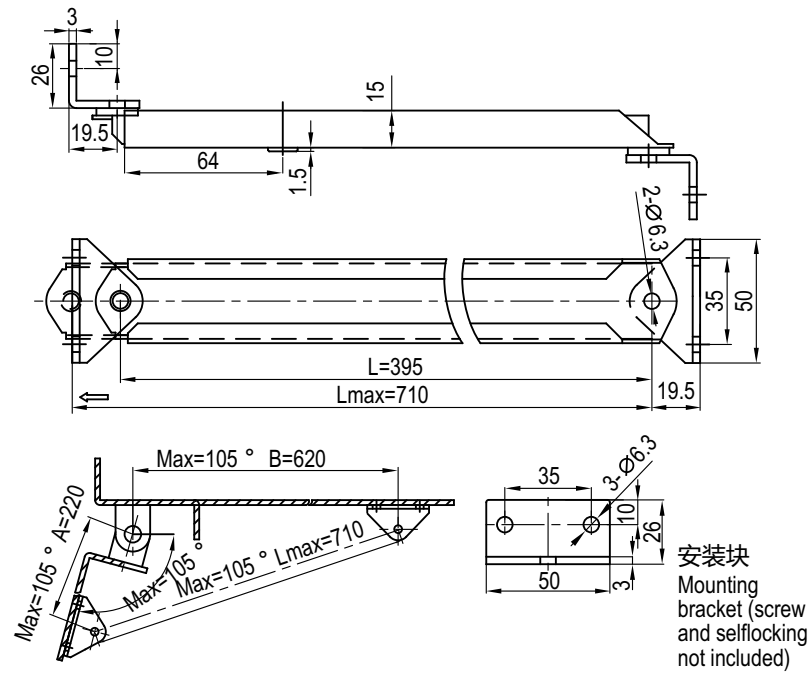
铁镀锌 M.S.zinc plated	6106-01-01
不锈钢 304 SUS 304	6106-01-304



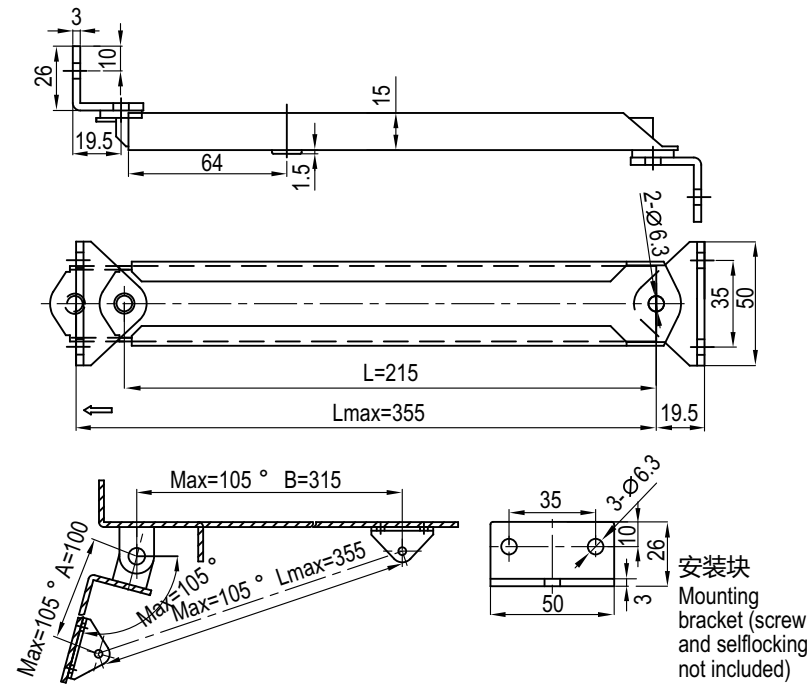
RL



长型 Long size



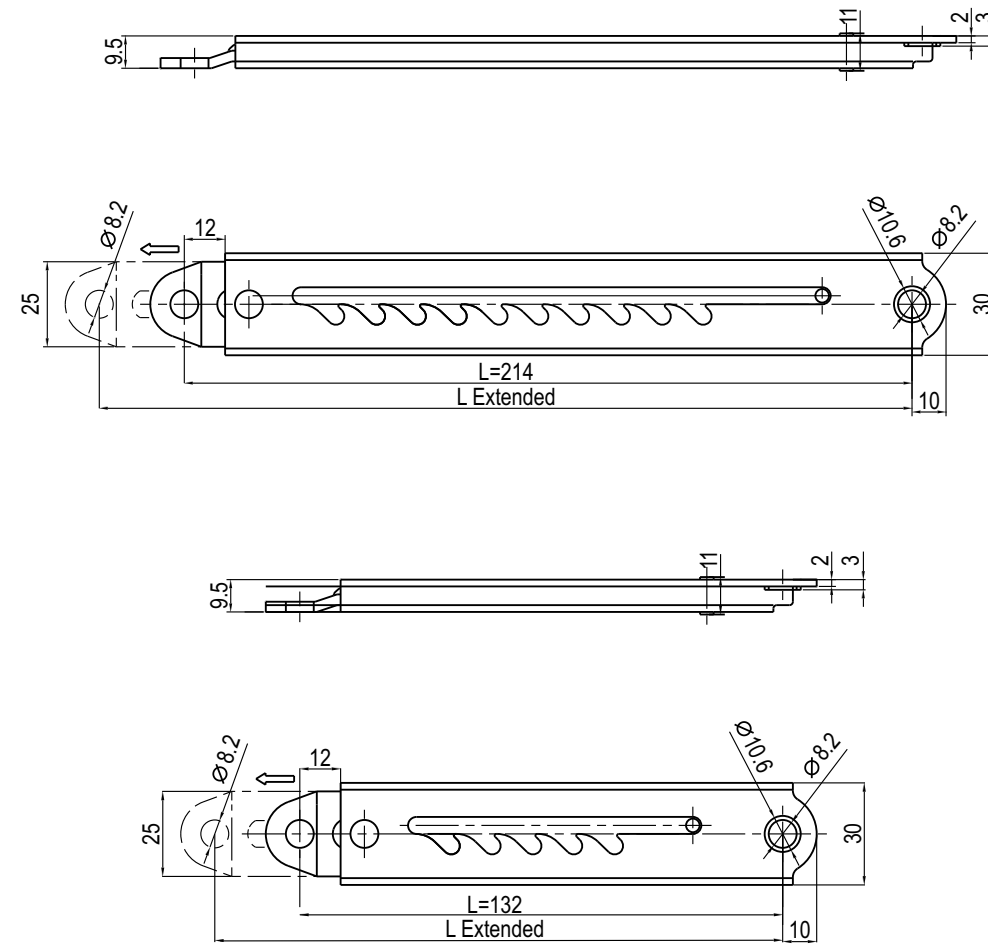
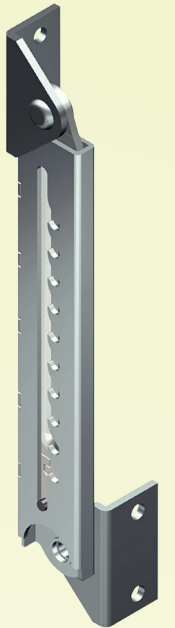
短型 Short size



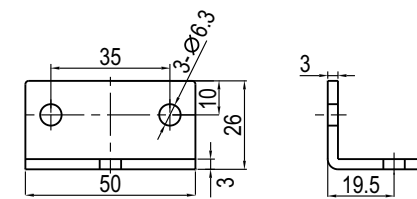
镀锌钢
M.S. zinc plated

	铁镀锌 Steel in zinc plated
长型 Long size	6201-01-00
短型 Short size	6201-02-00

RL



止口 Stop	长型 Long size L 伸出 L Extended	短型 Short size L 伸出 L Extended
1.	234.5	164
2.	248	177
3.	261	189.5
4.	274.5	202
5.	288	214.5
6.	301	
7.	314.5	
8.	327	
9.	340.5	
10.	354	

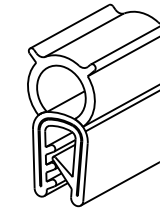
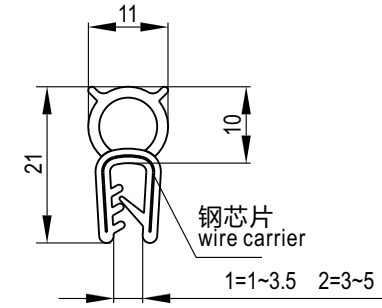


Mounting bracket (screw and selflocking not include)
Note: The cover stay is sold with mounting bracket and related accessories together as standard.

镀锌钢
M.S. zinc plated

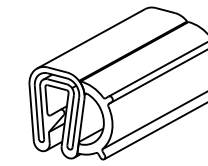
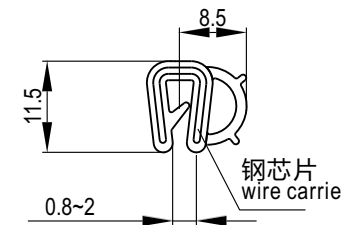
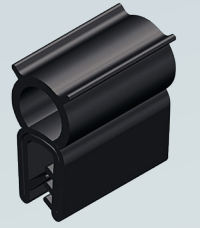
	止口数 Stops q.ty	铁镀锌 Steel in zinc plated
长型 Long size	10	6301-01-00
短型 Short size	5	6301-02-00

产品系列：7201、7202、7203



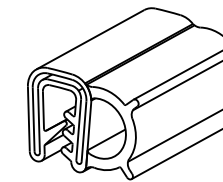
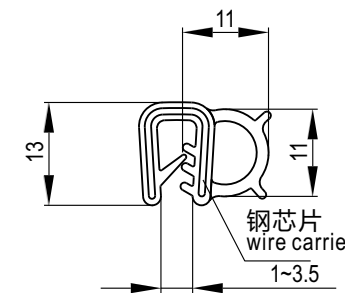
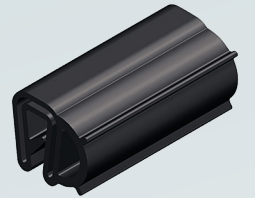
黑色发泡EPDM密封胶条
Sponge-rubber,black epdm gasket

Ts	
1~3.5	7201-211
3~5	7201-212



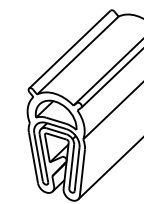
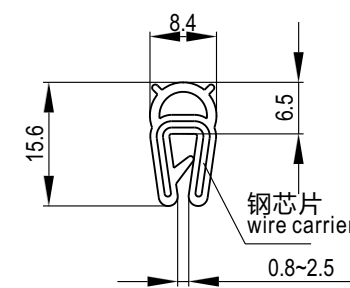
黑色发泡EPDM密封胶条
Sponge-rubber,black epdm gasket

	7202-115
--	----------



黑色发泡EPDM密封胶条
Sponge-rubber,black epdm gasket

	7203-13
--	---------



黑色发泡EPDM密封胶条
Sponge-rubber,black epdm gasket

	7203-156
--	----------

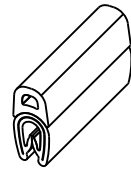
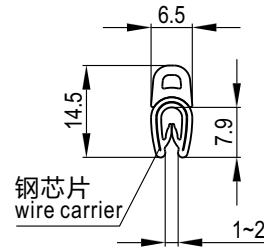
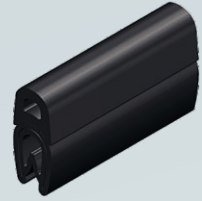


自夹紧式密封胶条 Self-gripping Gasketing

产品系列：7204、7205、7206、7207、7404

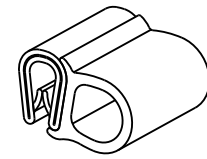
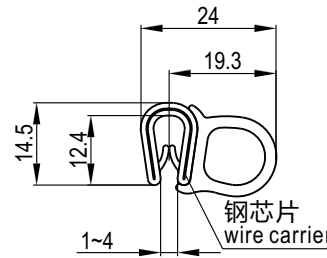
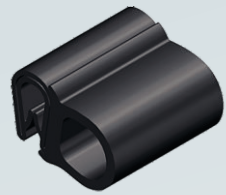
自粘式密封胶条 Cell Sponge Rubber

产品系列：7301、7302、7303



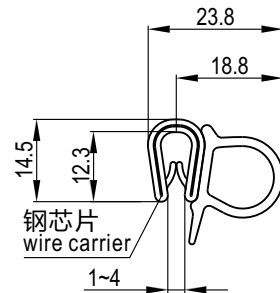
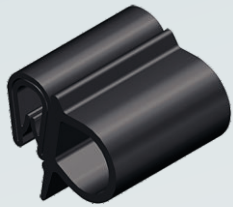
黑色发泡EPDM密封胶条
Sponge-rubber, black epdm gasket

7204-145



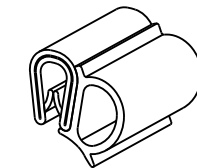
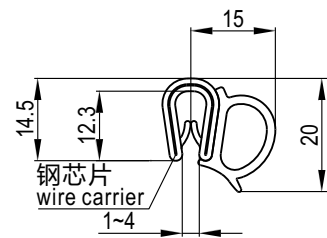
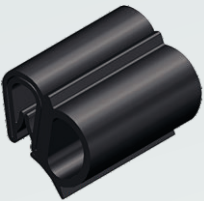
黑色发泡EPDM密封胶条
Sponge-rubber, black epdm gasket

7205-145



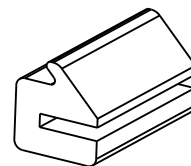
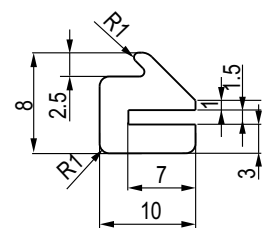
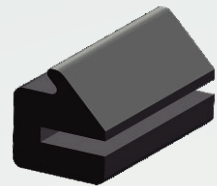
黑色发泡EPDM密封胶条
Sponge-rubber, black epdm gasket

7206-145



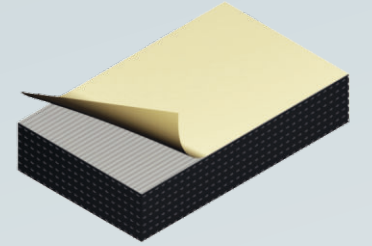
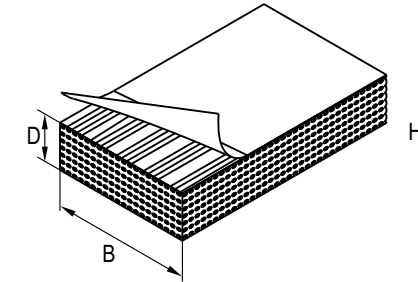
黑色发泡EPDM密封胶条
Sponge-rubber, black epdm gasket

7207-145



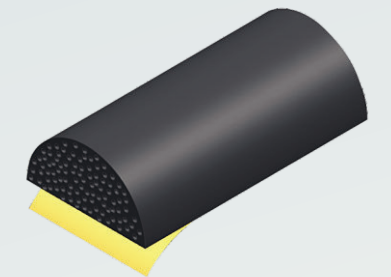
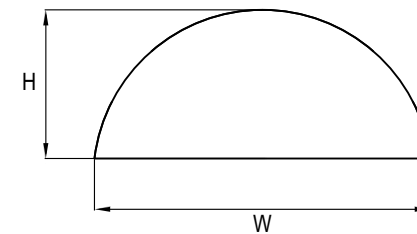
黑色发泡EPDM密封胶条
Sponge-rubber, black epdm gasket

7404-10



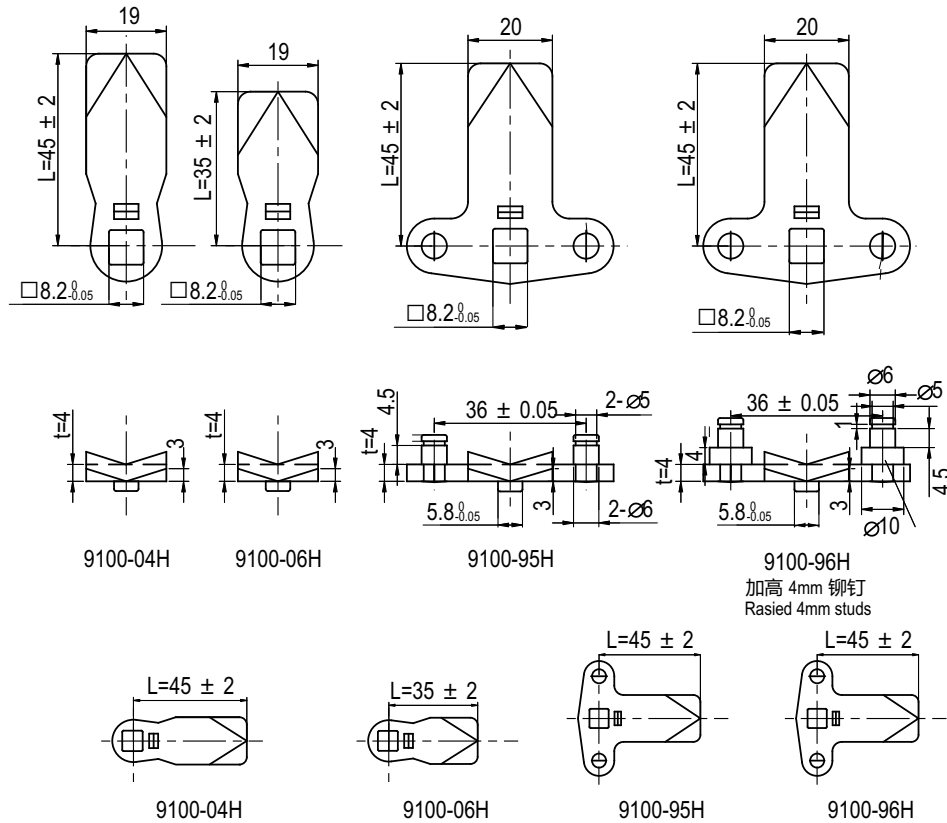
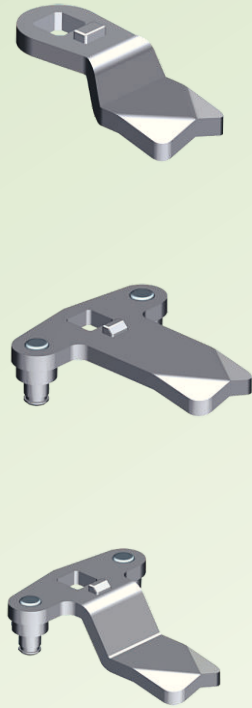
非延伸,自粘式,黑色发泡橡胶密封条
Cell sponge rubber, black with strtch eliminating self-adhesive backing

宽度 Width B	厚度 Depth D	天然橡胶 EPDM	氯丁橡胶 CR
10	3	7301-1003	7302-1003
	4	7301-1004	7302-1004
	5	7301-1005	7302-1005
15	3	7301-1503	7302-1503
	4	7301-1504	7302-1504
	5	7301-1505	7302-1505
20	3	7301-2003	7302-2003
	4	7301-2004	7302-2004
	5	7301-2005	7302-2005
25	3	7301-2503	7302-2503
	4	7301-2504	7302-2504
	6	7301-2506	7302-2506
30	3	7301-3003	7302-3003
	4	7301-3004	7302-3004
	5	7301-3005	7302-3005



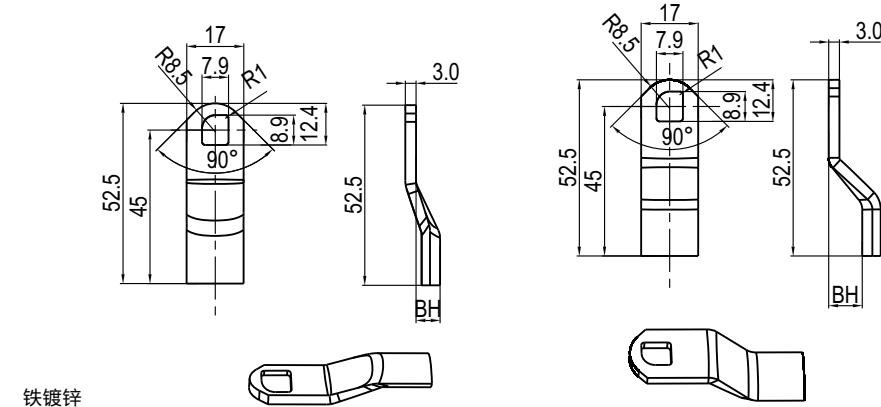
非延伸,自粘式,黑色发泡橡胶密封条
Cell sponge rubber, black with strtch eliminating self-adhesive backing

高度 H	宽度 W	天然橡胶 EPDM
7	16	7303-0716
5	16	7303-0516
3	16	7303-0316
8	16	7303-0816
7	10	7303-0710
12	10	7303-1210



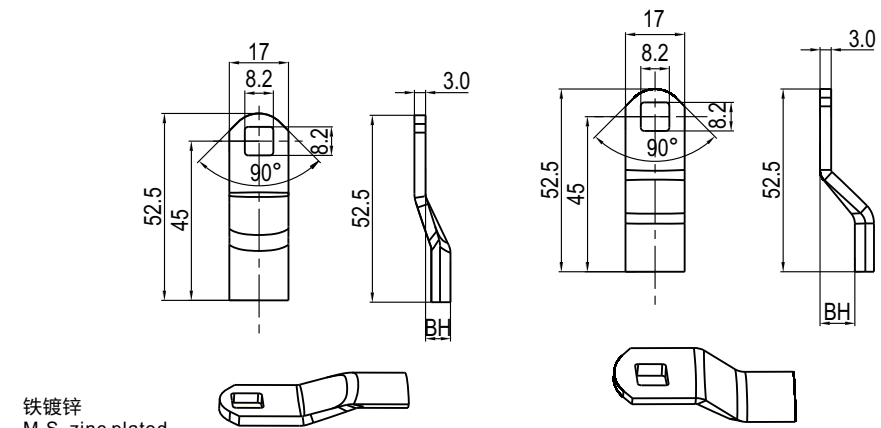
铁镀锌，可做不锈钢 M.S. zinc plated, stainless steel material upon request

H=GH+BH							锁舌型号 Cam Part #			
BH	GH=18	GH=30	GH=36	GH=40	GH=50	GH=60				
-16	2	14	20	24	34	44	9100-0402			
-14	4	16	22	26	36	46	9100-0404		9100-9504	9100-9604
-12	6	18	24	28	38	48	9100-0406	9100-0606	9100-9506	9100-9606
-10	8	20	26	30	40	50	9100-0408	9100-0608	9100-9508	9100-9608
-8	10	22	28	32	42	52	9100-0410	9100-0610	9100-9510	9100-9610
-5	13	25	31	35	45	55	9100-0413	9100-0613	9100-9513	9100-9613
-4	14	26	32	36	46	56	9100-0414	9100-0614	9100-9514	9100-9614
-2	16	28	34	38	48	58	9100-0416	9100-0616	9100-9516	9100-9616
0	18	30	36	40	50	60	9100-0418	9100-0618	9100-9518	9100-9618
+2	20	32	38	42	52	62	9100-0420	9100-0620	9100-9520	9100-9620
+4	22	34	40	44	54	64	9100-0422	9100-0622	9100-9522	9100-9622
+6	24	36	42	46	56	66	9100-0424	9100-0624	9100-9524	9100-9624
+7	25	37	43	47	57	67	9100-0425	9100-0625	9100-9525	9100-9625
+8	26	38	44	48	58	68	9100-0426	9100-0626	9100-9526	9100-9626
+10	28	40	46	50	60	70	9100-0428	9100-0628	9100-9528	9100-9628
+12	30	42	48	52	62	72	9100-0430	9100-0630	9100-9530	9100-9630
+14	32	44	50	54	64	74	9100-0432		9100-9532	9100-9632
+16	34	46	52	56	66	76	9100-0434		9100-9534	9100-9634
+17	35	47	53	57	67	77	9100-0435	9100-0635	9100-9535	9100-9635
+18	36	48	54	58	68	78	9100-0436		9100-9536	9100-9636
+20	38	50	56	60	70	80	9100-0438	9100-0638	9100-9538	9100-9638
+22	40	52	58	62	72	82	9100-0440	9100-0640	9100-9540	9100-9640
+24	42	54	60	64	74	84	9100-0442	9100-0642	9100-9542	9100-9642
+26	44	56	62	66	76	86	9100-0444	9100-0644	9100-9544	9100-9644
+27	45	57	63	67	77	87	9100-0445		9100-9545	9100-9645
+29	47	59	65	69	79	89	9100-0447		9100-9547	9100-9647
+32	50	62	68	72	82	92	9100-0450		9100-9550	9100-9650
+35	53	65	71	75	85	95	9100-0453			
+37	55	67	73	77	87	97	9100-0455			



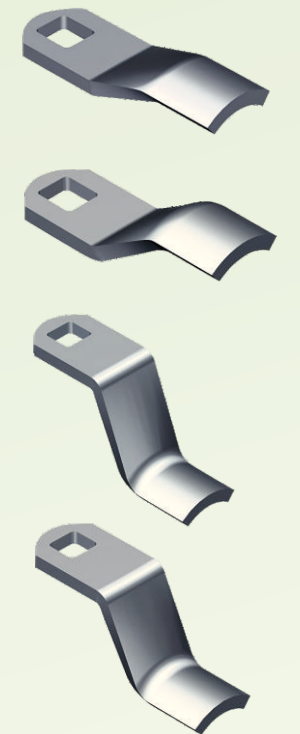
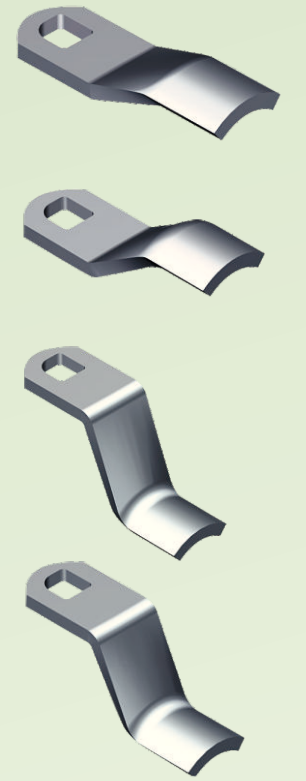
铁镀锌
M.S. zinc plated

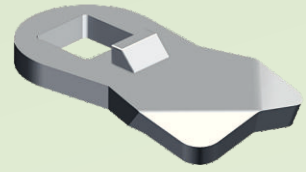
锁舌种类 Cam type	总间距 Total grip	锁舌偏至 Cam offset	外门最大厚度 已组装门锁 Max. outer door Ts For assembled latch	锁舌种类 Cam type	总间距 Total grip	锁舌偏至 Cam offset	外门最大厚度 已组装门锁 Max. outer door Ts For assembled latch
9100-0700	15	18	用还未组装门锁 Must use unassembled latch	9100-0710	35	2	7
9100-0701	17	16	用还未组装门锁 Must use unassembled latch	9100-0711	37	4	7
9100-0702	19	14	1	9100-0712	39	6	7
9100-0703	21	12	2	9100-0713	41	8	7
9100-0704	23	10	4	9100-0714	43	10	7
9100-0705	25	8	5	9100-0715	45	12	7
9100-0706	27	6	6	9100-0716	47	14	7
9100-0707	29	4	7	9100-0717	49	16	7
9100-0708	31	2	7	9100-0718	51	18	7
9100-0709	33	0	7	9100-0719	53	20	7



铁镀锌
M.S. zinc plated

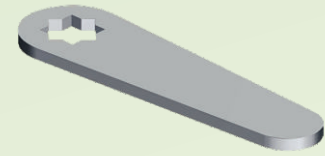
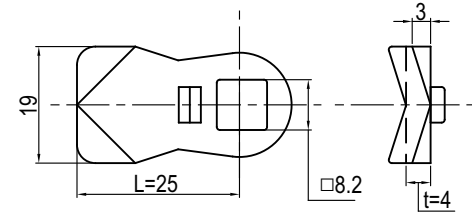
锁舌种类 Cam type	总间距 Total grip	锁舌偏至 Cam offset	外门最大厚度 已组装门锁 Max. outer door Ts For assembled latch	锁舌种类 Cam type	总间距 Total grip	锁舌偏至 Cam offset	外门最大厚度 已组装门锁 Max. outer door Ts For assembled latch
9100-0800	15	18	用还未组装门锁 Must use unassembled latch	9100-0810	35	2	7
9100-0801	17	16	用还未组装门锁 Must use unassembled latch	9100-0811	37	4	7
9100-0802	19	14	1	9100-0812	39	6	7
9100-0803	21	12	2	9100-0813	41	8	7
9100-0804	23	10	4	9100-0814	43	10	7
9100-0805	25	8	5	9100-0815	45	12	7
9100-0806	27	6	6	9100-0816	47	14	7
9100-0807	29	4	7	9100-0817	49	16	7
9100-0808	31	2	7	9100-0818	51	18	7
9100-0809	33	0	7	9100-0819	53	20	7





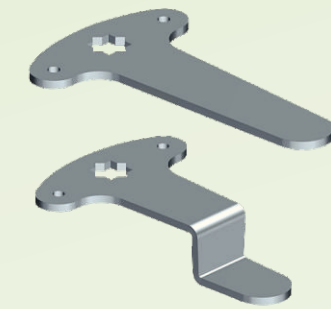
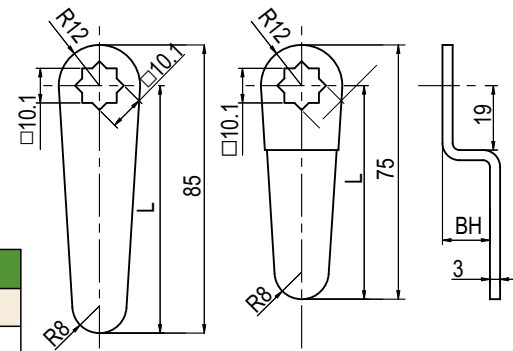
铁镀锌
M.S. zinc plated

	中心距 L	折弯高度
9100-2518	25	0
9100-2018	20	0



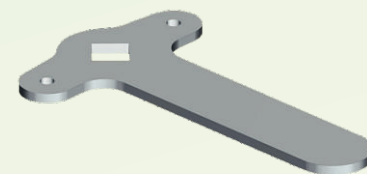
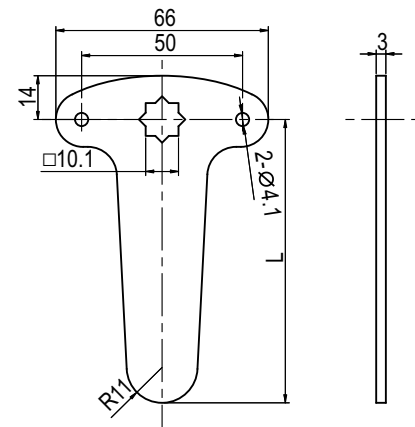
铁镀锌
M.S. zinc plated

	中心距 L	折弯高度 BH
9100-4901-6002	60	2
9100-4901-6314	63	14
9100-4901-7300	73	0



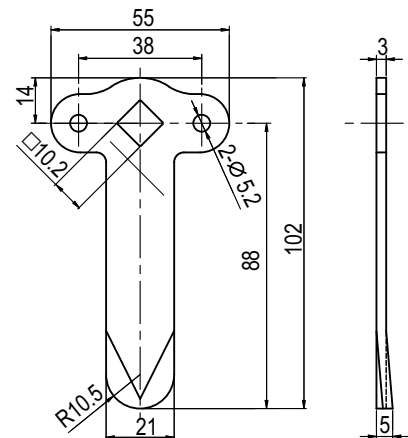
铁镀锌
M.S. zinc plated

	中心距 L	折弯高度 BH
9100-4902-6012	60	12
9100-4902-8118	81	18
9100-4902-8800	88	0

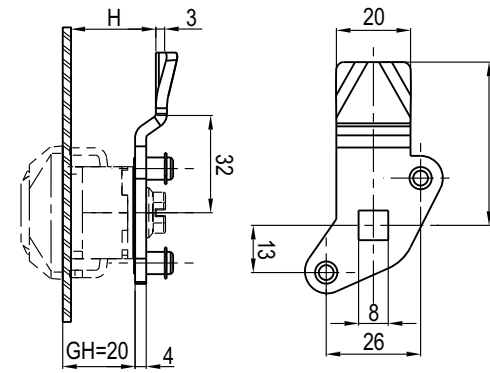


铁镀锌
M.S. zinc plated

	中心距 L	折弯高度 BH
9100-4501-8800	88	0

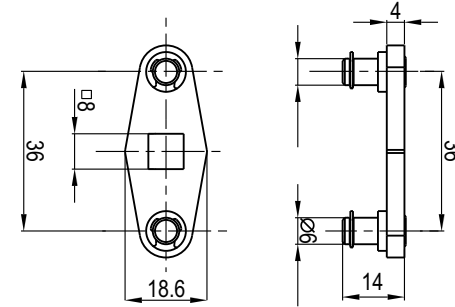
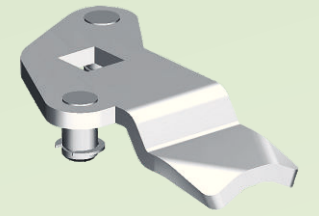


行程 26mm
stroke 26mm



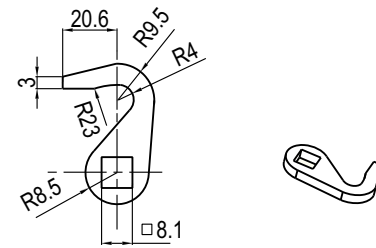
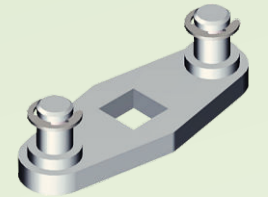
铁镀锌
M.S. zinc plated

H	左 Left	右 Right
25	9100-9425L	9100-9425R
27	9100-9427L	9100-9427R
29	9100-9429L	9100-9429R
31	9100-9431L	9100-9431R



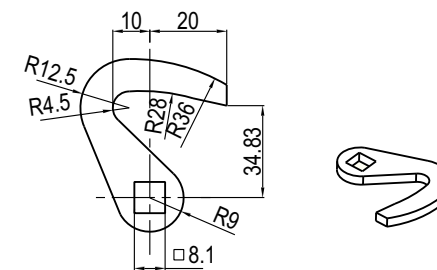
铁镀锌
M.S. zinc plated

90°方孔型带圆铆钉	9100-3618A
45°方孔型带圆铆钉	9100-3618B
90°方孔型带圆铆钉螺纹	9100-3618C



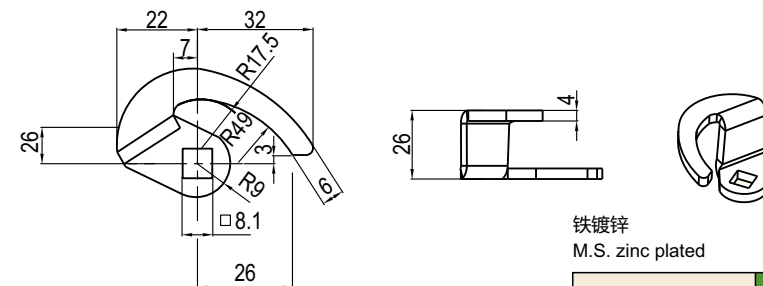
铁镀锌
M.S. zinc plated

9100-1703



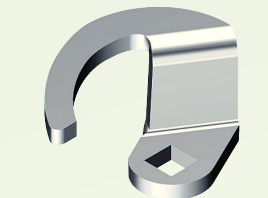
铁镀锌
M.S. zinc plated

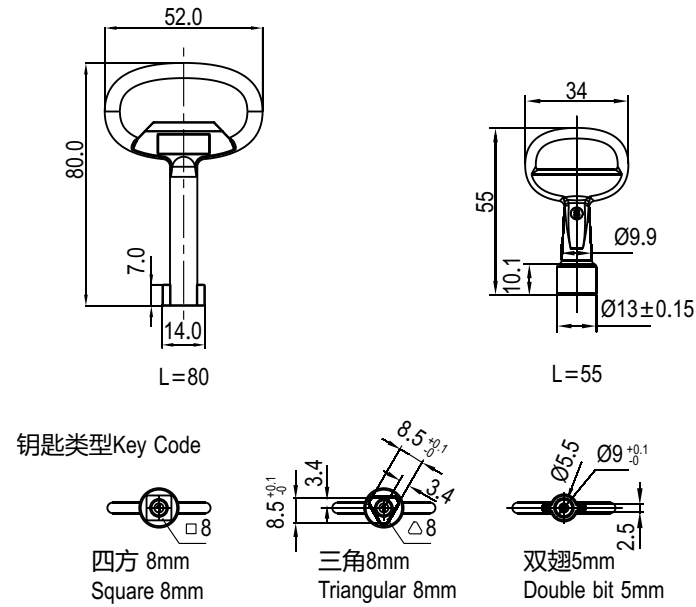
9100-1701



铁镀锌
M.S. zinc plated

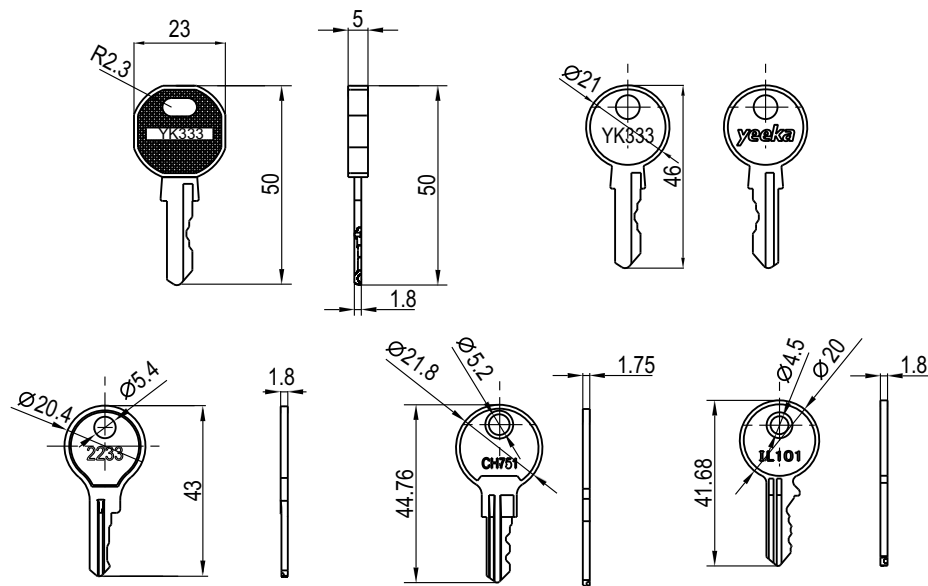
9100-1702



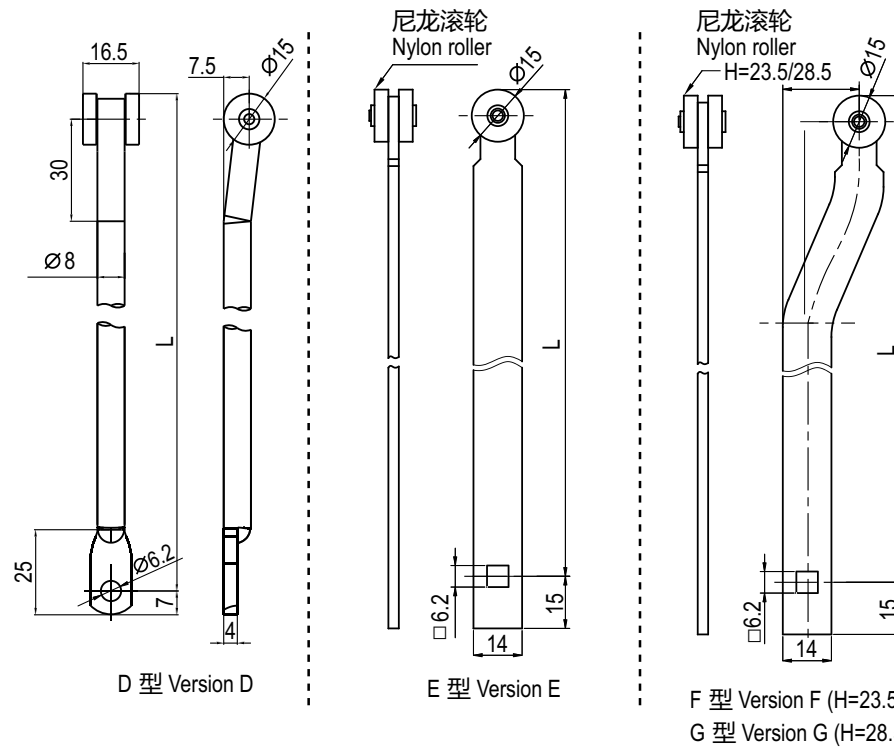
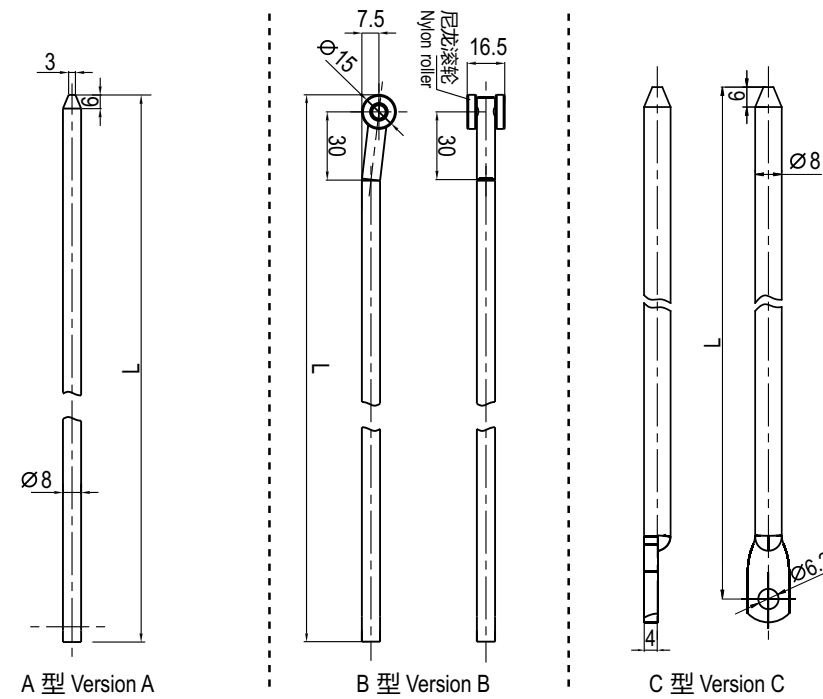


锌合金, 喷塑黑 或电镀亮铬
Zinc die, black powder coated or bright chrome

钥匙类型 Key type	长度 L=80mm		长度 L=70mm		长度 L=55mm	
	喷塑黑 Black powder coated	亮铬 Bright chrome	喷塑黑 Black powder coated	亮铬 Bright chrome	喷塑黑 Black powder coated	亮铬 Bright chrome
双翅 Double Bit 5mm	9200-80-015-20	9200-80-015-30	9200-70-015-20	9200-70-015-30	9200-55-015-20	9200-55-015-30
三角 8mm Triangular 8mm	9200-80-038-20	9200-80-038-30	9200-70-038-20	9200-70-038-30	9200-55-038-20	9200-55-038-30
四方 8mm Square 8mm	9200-80-048-20	9200-80-048-30	9200-70-048-20	9200-70-048-30	9200-55-048-20	9200-55-048-30

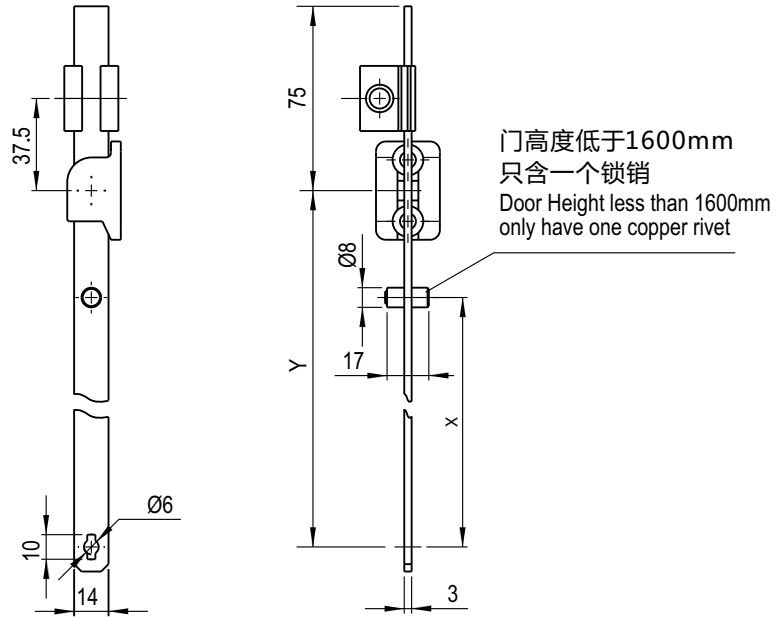
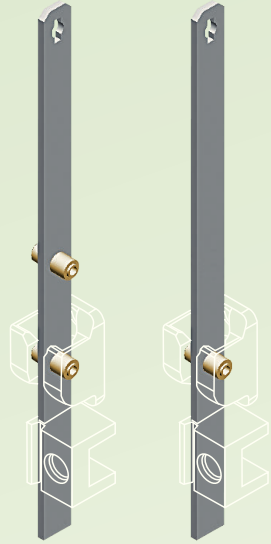


型号 Key type	钥匙类型 Key code	材质 Material
9200-333	YK333	全铜 Full brass
9200-333PA		塑料柄铜钥匙 PA knob+brass key
9200-751	CH751	全铜 Full brass
9200-2233	YK2233	全铜 Full brass
9200-101	YK101	全铜 Full brass



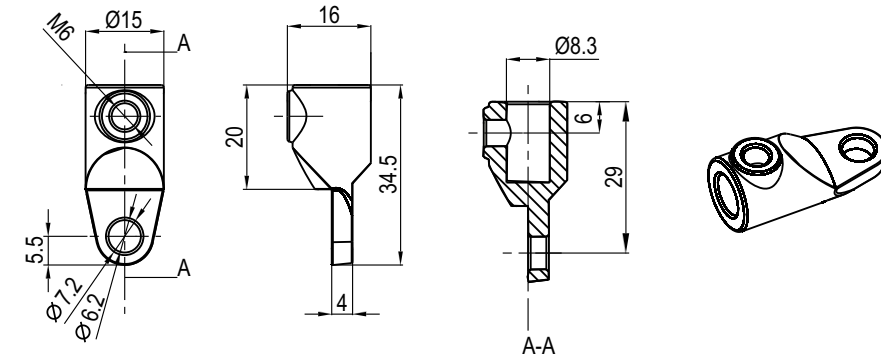
长度 L	A 型 Version A	B 型 Version B	C 型 Version C	D 型 Version D	E 型 Version E	F 型 Version F (H=23.5)	G 型 Version G (H=28.5)
400	9301-A-0400	9301-B-0400	9301-C-0400	9301-D-0400	9301-E-0400	9301-F-0400	9301-G-0400
500	9301-A-0500	9301-B-0500	9301-C-0500	9301-D-0500	9301-E-0500	9301-F-0500	9301-G-0500
600	9301-A-0600	9301-B-0600	9301-C-0600	9301-D-0600	9301-E-0600	9301-F-0600	9301-G-0600
700	9301-A-0700	9301-B-0700	9301-C-0700	9301-D-0700	9301-E-0700	9301-F-0700	9301-G-0700
800	9301-A-0800	9301-B-0800	9301-C-0800	9301-D-0800	9301-E-0800	9301-F-0800	9301-G-0800
900	9301-A-0900	9301-B-0900	9301-C-0900	9301-D-0900	9301-E-0900	9301-F-0900	9301-G-0900
1000	9301-A-1000	9301-B-1000	9301-C-1000	9301-D-1000	9301-E-1000	9301-F-1000	9301-G-1000
1100	9301-A-1100	9301-B-1100	9301-C-1100	9301-D-1100	9301-E-1100	9301-F-1100	9301-G-1100





铁镀锌
M.S. zinc plated

门高度 Door height	连杆 Rods		H 型 Version H
	Dim. X	Dim. Y	
800-1200	—	126.5	9301-H-126.5
1200-1600	—	276.5	9301-H-276.5
1600-1900	101.5	526.5	9301-H-526.5
1900-2200	101.5	676.5	9301-H-676.5

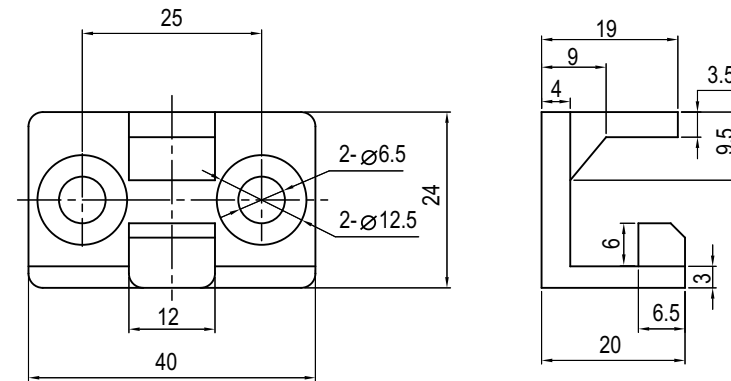


锌合金，镀锌或全不锈钢
Zinc die, zinc plated or SUS 304

锌合金 Zinc die	不锈钢 316 SUS 316
9405-01	9405-01-316

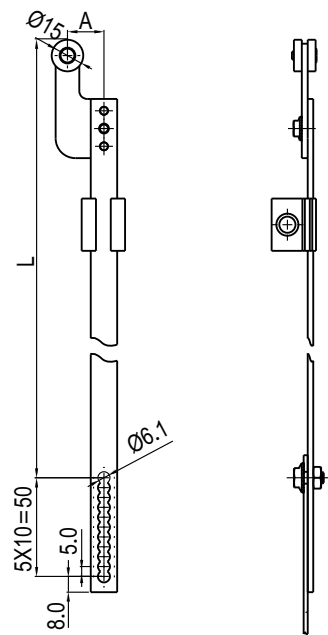
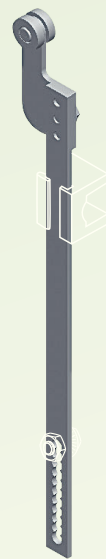
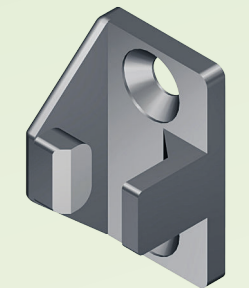


固定件 Rod catch



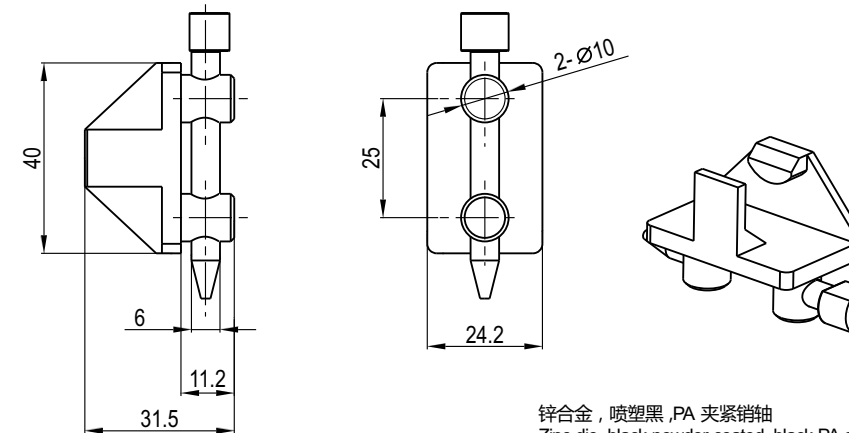
锌合金，喷塑黑
Zinc die, black powder coated

9401-4024



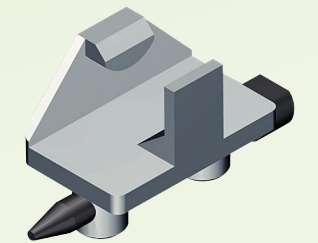
铁镀锌
M.S. zinc plated

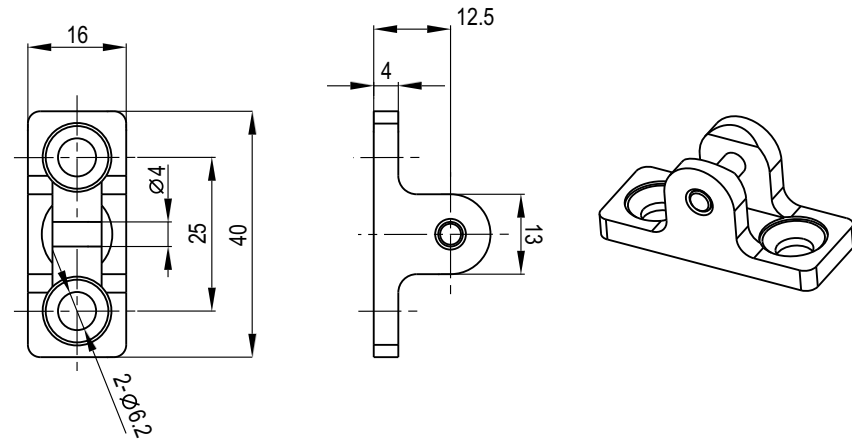
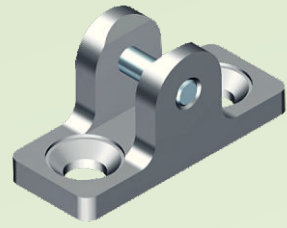
X 型 Version X	A	长度 L							
		18.5	22.5	27.5	32.5	37.5	42.5	47.5	52.5
		9301-X-18.5-0400	9301-X-18.5-0500	9301-X-18.5-0600	9301-X-18.5-0700	9301-X-18.5-0800	9301-X-18.5-0900	9301-X-18.5-1000	9301-X-18.5-1100
		9301-X-22.5-0400	9301-X-22.5-0500	9301-X-22.5-0600	9301-X-22.5-0700	9301-X-22.5-0800	9301-X-22.5-0900	9301-X-22.5-1000	9301-X-22.5-1100
		9301-X-27.5-0400	9301-X-27.5-0500	9301-X-27.5-0600	9301-X-27.5-0700	9301-X-27.5-0800	9301-X-27.5-0900	9301-X-27.5-1000	9301-X-27.5-1100



锌合金，喷塑黑，PA 夹紧销轴
Zinc die, black powder coated, black PA clamping pin

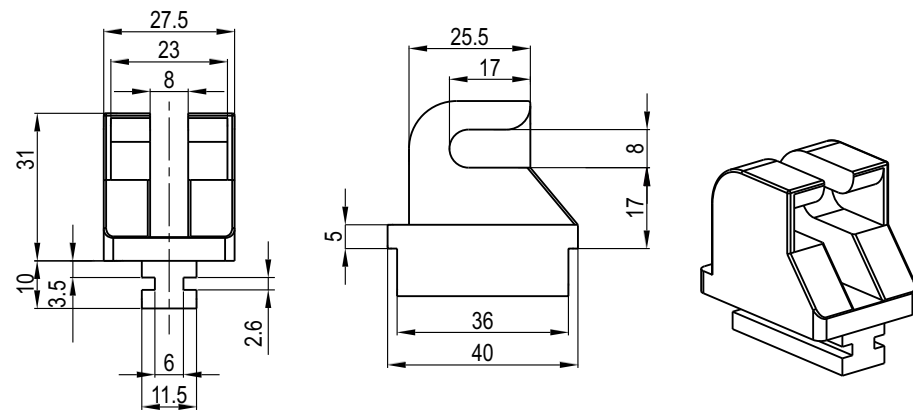
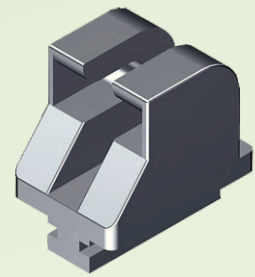
9401-4025





锌合金, 镀锌
Zinc die, zinc plated

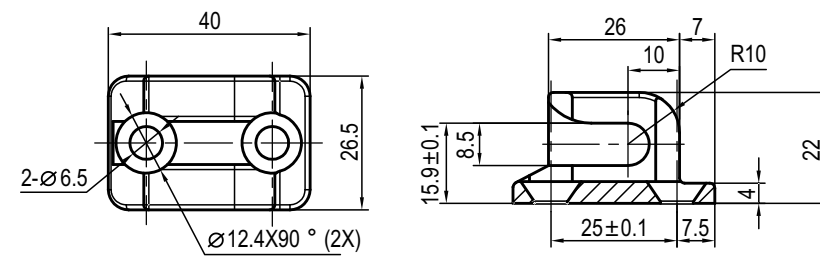
9401-4019



锌合金, 喷塑黑
Zinc die, black powder coated

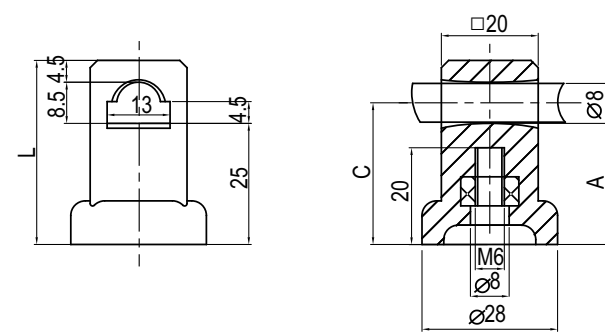
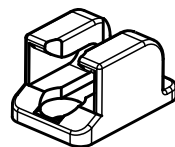
9401-4031

固定件 Rod catch



锌合金, 喷塑黑
Zinc die, black powder coated

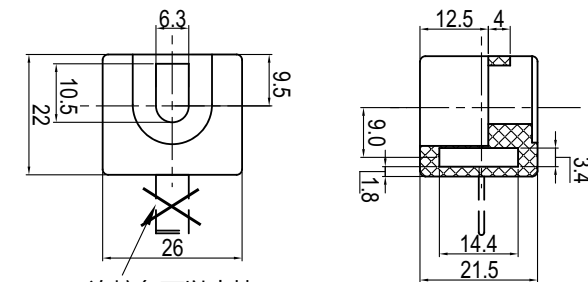
镀锌 zinc plated	9401-4026-01
麻面黑 Black Textured Powder Coated	9401-4026-20



塑料 PA

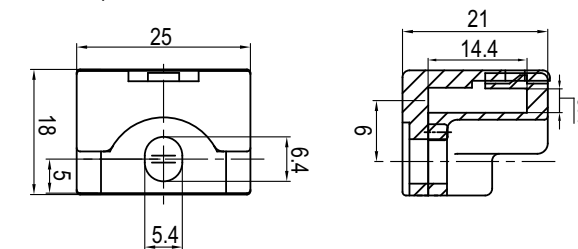
L	A	
44	30	9401-4430
38	25	9401-3825
32	20	9401-3220

A 型 Version A
用 M6x16 或 6x20 焊接螺柱固定
For weld stud M6x16 or M6x20

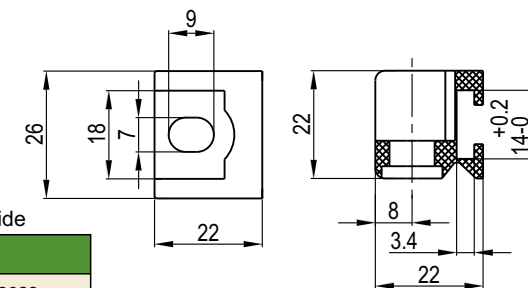


连接条可以去掉
Strap can be broke off

B 型 Version B
用 M5x12 点焊螺柱固定
For weld stud M5x12

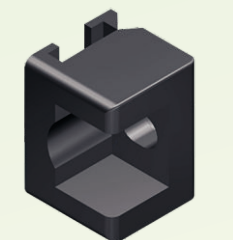
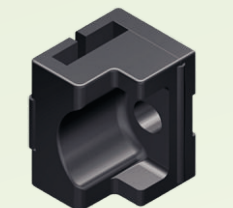
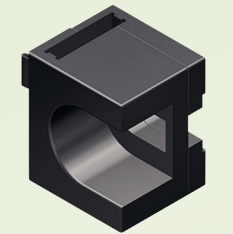


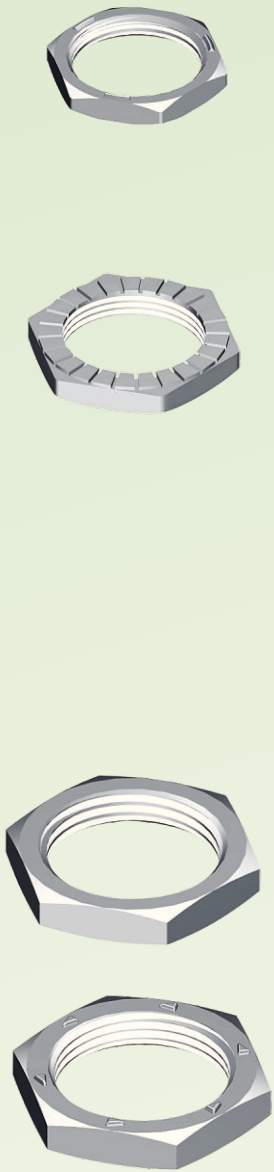
C 型 Version C



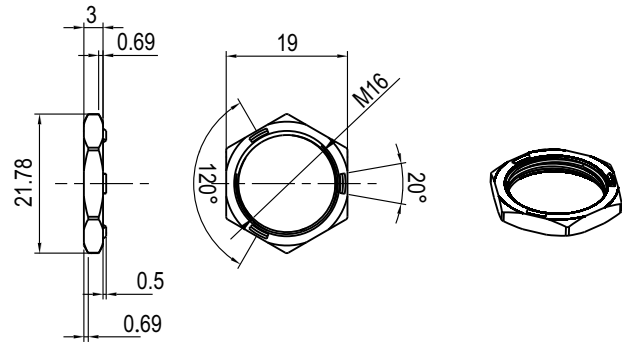
黑色 PA 导向件 Black PA rod guide

型号	零件号
A 型 Version A	9401-2622
B 型 Version B	9401-2518
C 型 Version C	9401-2622C

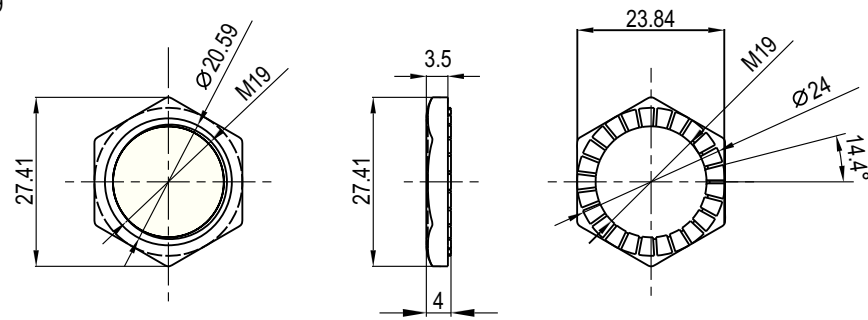




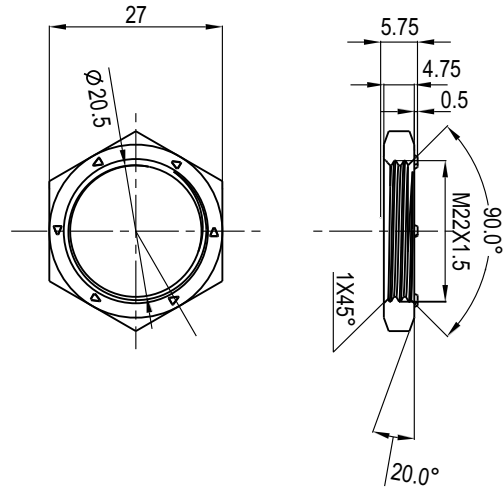
M16



M19

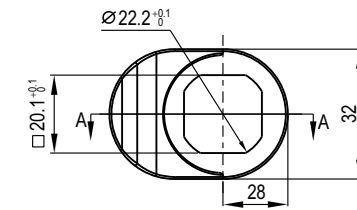


M22

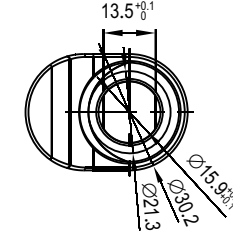


材质类型 Material	规格				
	M16	M19	M22X1.5		
			带单面三角型接地点	不带接地点	带双面直条接地点
锌合金 Zinc die casting		9501-M1901	9501-M220101	9501-M220102	9501-M220103
全铜 Full brass	9501-M1602	9501-M1902			
不锈钢 Stainless steel				9501-M2202	

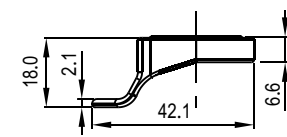
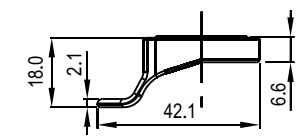
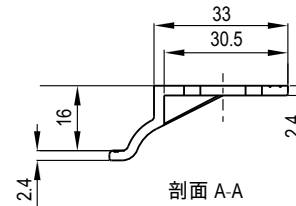
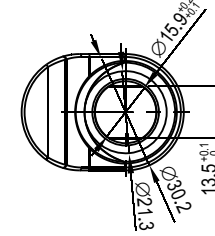
适用于孔型 22.5x20.1
For cutout 22.5x20.1



锁闭状态与锁舌方向垂直
Pull tab perpendicular to cam



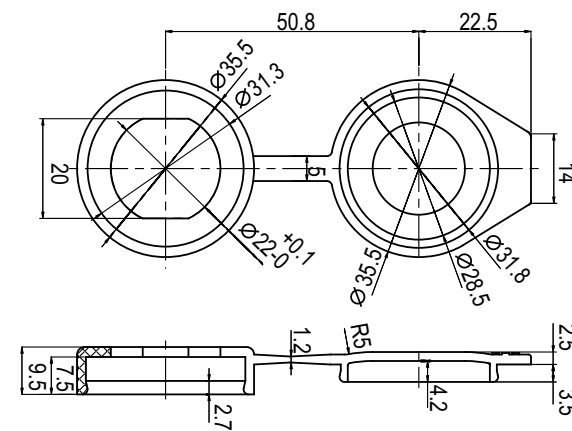
锁闭状态与锁舌方向平行
Pull tab in-line with cam



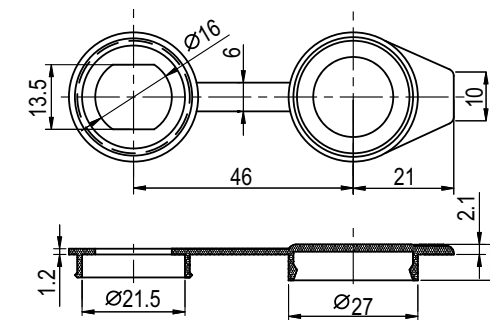
塑料 PA

塑料 PA		
适用孔型 22.5X20.1 For cutout 22.5X20.1		9501-4702
锁闭状态与锁舌方向平行 Pull tab in-line with cam	适用孔型 13.5X16 For cutout 13.5X16	9501-4704-1
锁闭状态与锁舌方向垂直 Pull tab perpendicular to cam	适用孔型 13.5X16 For cutout 13.5X16	9501-4704-2

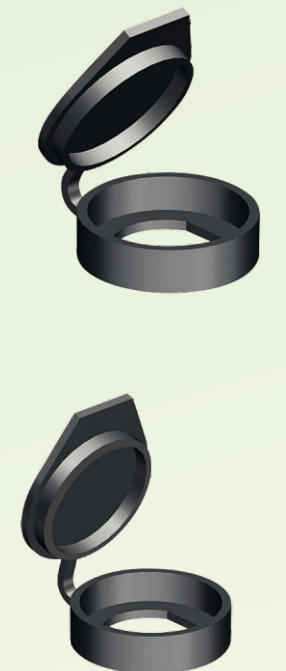
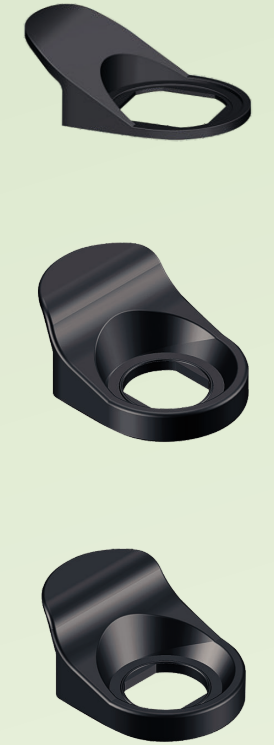
大型 Large size
适用于孔型 22.5x20.1
For cutout 22.5x20.1

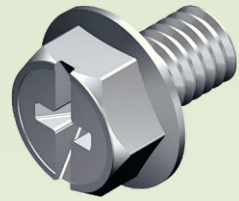


小型 Small size
适用于孔型 16x13.5
For cutout 16x13.5

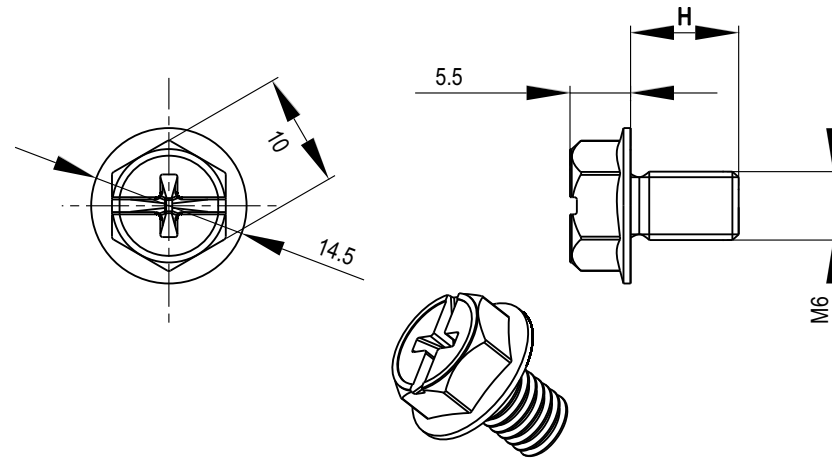


大型 Large size	9401-4101
小型 Small size	9401-4102



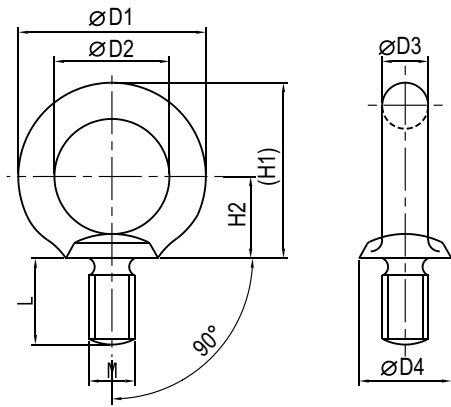


外六角十字法兰螺丝



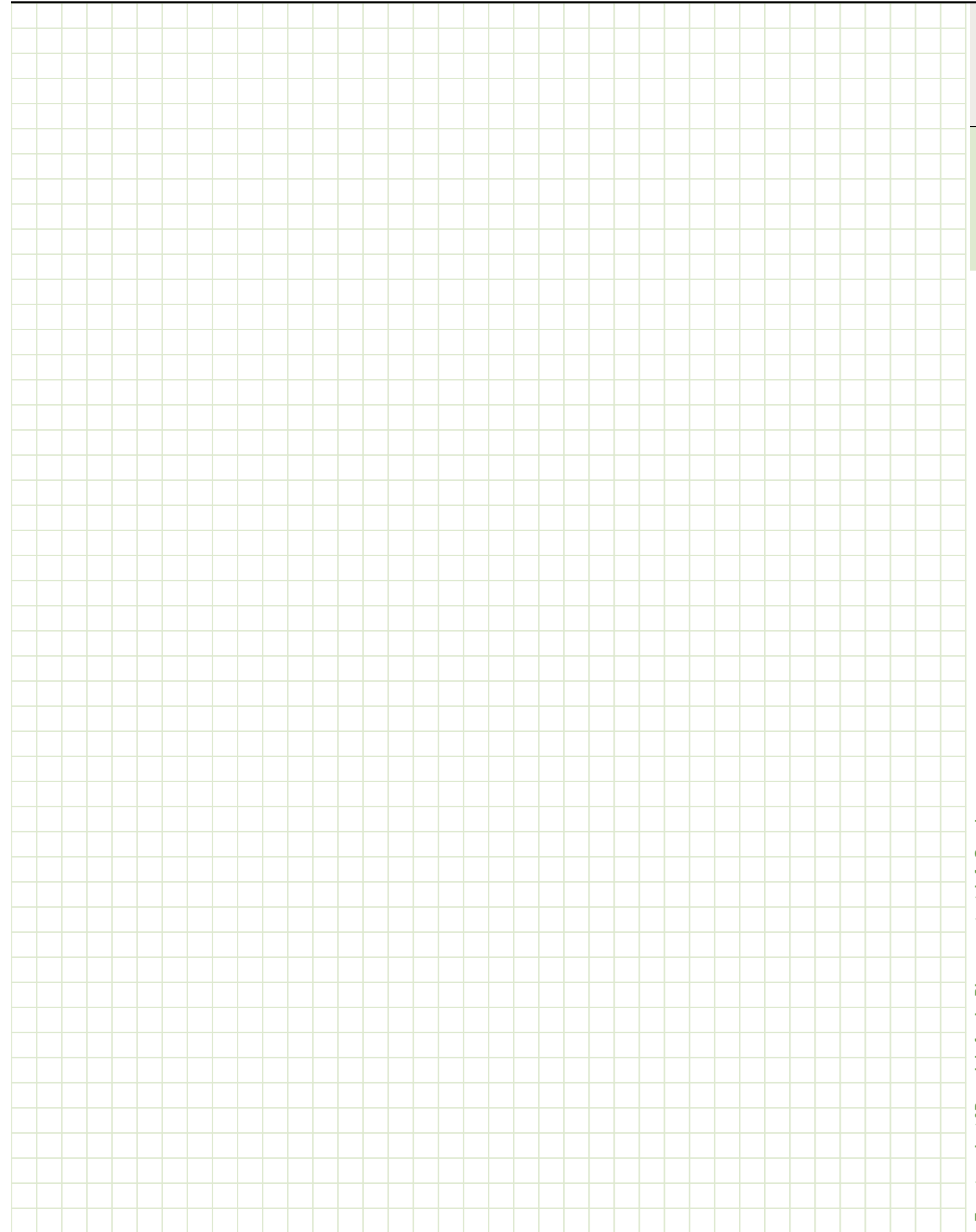
铁镀锌 M.S. zinc plated

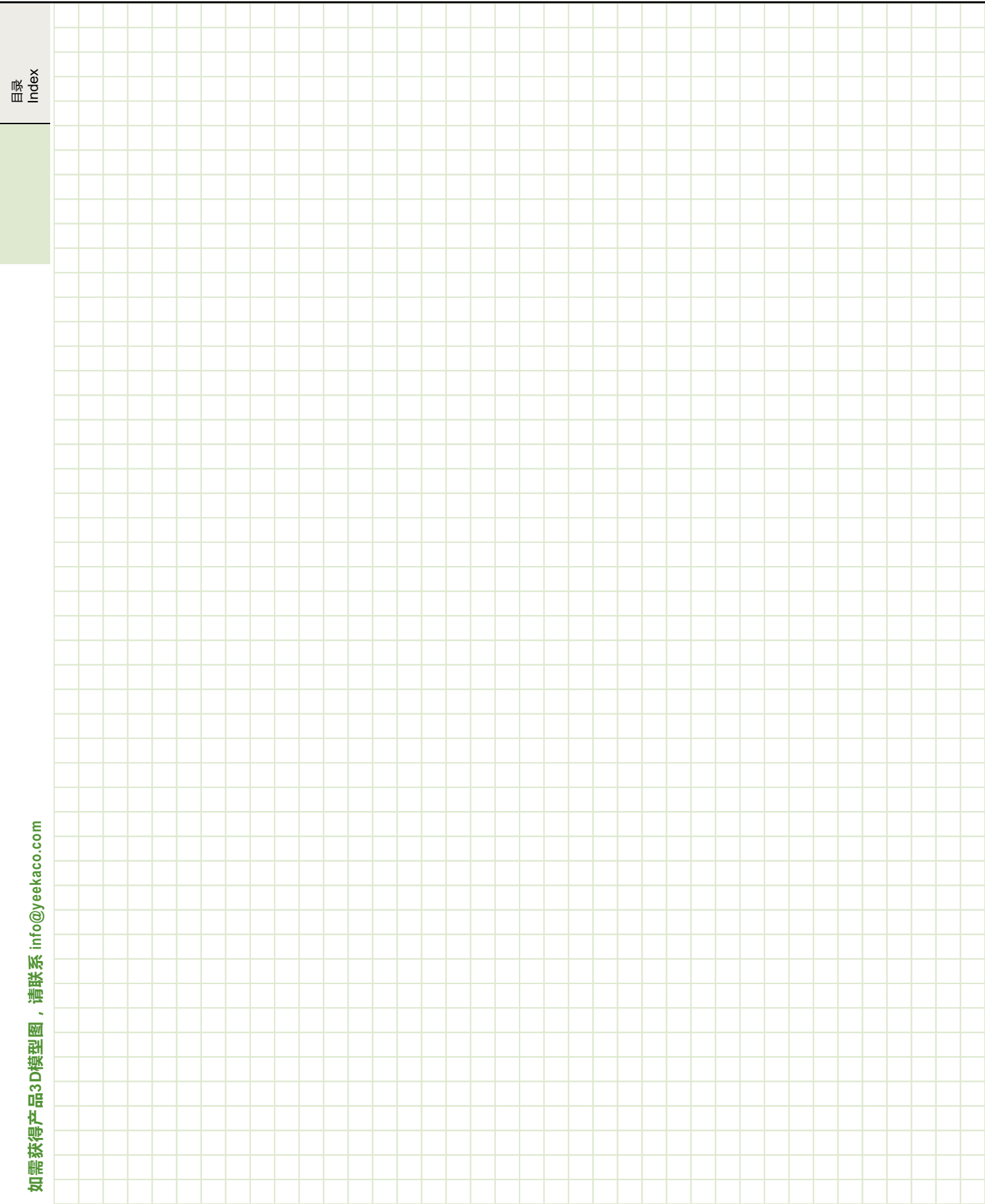
	螺丝规格 Screw size		螺丝规格 Screw size
9601-M506	M5 X 6	9601-M606	M6 X 6
9601-M508	M5 X 8	9601-M608	M6 X 8
9601-M510	M5 X 10	9601-M610	M6 X 10
9601-M512	M5 X 12	9601-M612	M6 X 12
9601-M516	M5 X 16	9601-M616	M6 X 16
9601-M518	M5 X 18	9601-M618	M6 X 18



铁镀锌
M.S. zinc plated

	L	H1	H2	φ D1	φ D2	φ D3	φ D4	M
9606-M8	15	33.3	17	32.6	20	6.3	16	8
9606-M10	18	41.5	21	41	25	8	20	10
9606-M12	22	51	26	50	30	10	25	12
9606-M16	27	60	30	60	35	12.5	30	16
9606-M20	30	71	35	72	4	16	35	20
9606-M22	34	84	43	81	44	18	40	22
9606-M24	38	90	45	90	50	20	45	24
9606-M30	45	110	55	110	60	25	60	30
9606-M36	55	131.5	65	133	70	31.5	70	36





产品编号 : Product code	页码 : Page number
1100	1A-001 ----- 1A-002
1101	1A-003 ----- 1A-006
1102	1A-007 ----- 1A-014
1103	1A-015 ----- 1A-016
1104	1A-017 ----- 1A-017
1105	1A-018 ----- 1A-018
1106	1A-019 ----- 1A-020
1107	1A-021 ----- 1A-021
1108	1A-022 ----- 1A-022
1110	1A-023 ----- 1A-023
1113	1A-024 ----- 1A-024
1114	1A-025 ----- 1A-025
1116	1A-026 ----- 1A-026
1117	1A-027 ----- 1A-028
1118	1A-029 ----- 1A-030
1120	1A-031 ----- 1A-032
1122	1A-033 ----- 1A-033
1124	1A-034 ----- 1A-034
1123	1A-035 ----- 1A-036
1127	1A-037 ----- 1A-038
1128	1A-039 ----- 1A-039
1129	1A-039 ----- 1A-039
1189	1A-040 ----- 1A-040
1190	1A-041 ----- 1A-041
1191	1A-041 ----- 1A-041
1192	1A-042 ----- 1A-042
1194	1A-042 ----- 1A-042
1193	1A-043 ----- 1A-043
1201	1B-001 ----- 1B-002
1205	1B-003 ----- 1B-003
1209	1B-003 ----- 1B-003
1207	1B-004 ----- 1B-004
1208	1B-004 ----- 1B-004
1221	1B-005 ----- 1B-005
1222	1B-006 ----- 1B-006
1240	1B-007 ----- 1B-007
1241	1B-008 ----- 1B-008
1242	1B-009 ----- 1B-009
1244	1B-010 ----- 1B-010
1245	1B-011 ----- 1B-011
1246	1B-012 ----- 1B-012
1247	1B-013 ----- 1B-013
1250	1B-014 ----- 1B-014
1251	1B-014 ----- 1B-014
1252	1B-015 ----- 1B-015
1254	1B-015 ----- 1B-015
1256	1B-016 ----- 1B-016
1261	1B-017 ----- 1B-017
1262	1B-018 ----- 1B-018
1271	1B-019 ----- 1B-019
1272	1B-020 ----- 1B-020
1301	1C-001 ----- 1C-001
1310	1C-002 ----- 1C-002
1311	1C-002 ----- 1C-003
1312	1C-004 ----- 1C-004
1324	1C-004 ----- 1C-004
1316	1C-005 ----- 1C-005
1320	1C-006 ----- 1C-006
1321	1C-006 ----- 1C-006

产品编号 : Product code	页码 : Page number
1322	1C-007 ----- 1C-007
1325	1C-007 ----- 1C-007
1401	1D-001 ----- 1D-003
1402	1D-004 ----- 1D-006
1403	1D-006 ----- 1D-006
1406	1D-007 ----- 1D-007
1407	1D-008 ----- 1D-008
1410	1D-009 ----- 1D-009
1428	1D-009 ----- 1D-009
1412	1D-010 ----- 1D-010
1413	1D-011 ----- 1D-011
1415	1D-012 ----- 1D-012
1416	1D-013 ----- 1D-013
1417	1D-014 ----- 1D-014
1419	1D-014 ----- 1D-014
1418	1D-015 ----- 1D-015
1420	1D-016 ----- 1D-017
1421	1D-018 ----- 1D-018
1422	1D-019 ----- 1D-020
1423	1D-021 ----- 1D-022
1426	1D-023 ----- 1D-024
1427	1D-025 ----- 1D-026
1430	1D-027 ----- 1D-027
1431	1D-028 ----- 1D-028
1432	1D-029 ----- 1D-029
1435	1D-029 ----- 1D-029
1436	1D-030 ----- 1D-033
1437	1D-034 ----- 1D-034
1438	1D-035 ----- 1D-035
1439	1D-036 ----- 1D-036
1451	1D-037 ----- 1D-037
1462	1D-037 ----- 1D-037
1465	1D-038 ----- 1D-038
1601	1F-001 ----- 1F-001
1701	1G-001 ----- 1G-001
1702	1G-001 ----- 1G-001
1703	1G-002 ----- 1G-002
1704	1G-002 ----- 1G-002
1800	1H-001 ----- 1H-002
1801	1H-002 ----- 1H-002
1802	1H-003 ----- 1H-003
2101	2A-001 ----- 2A-007
2104	2A-008 ----- 2A-008
2102	2A-009 ----- 2A-010
2105	2A-011 ----- 2A-011
2106	2A-011 ----- 2A-011
2107	2A-012 ----- 2A-012
2112	2A-012 ----- 2A-012
2113	2A-013 ----- 2A-013
2114	2A-013 ----- 2A-013
2115	2A-014 ----- 2A-014
2116	2A-014 ----- 2A-014
2118	2A-015 ----- 2A-015
2120	2A-016 ----- 2A-016

产品编号 : Product code	页码 : Page number
2121	2A-017 ----- 2A-017
2122	2A-018 ----- 2A-018
2124	2A-018 ----- 2A-018
2123	2A-019 ----- 2A-019
2125	2A-020 ----- 2A-020
2126	2A-020 ----- 2A-020
2127	2A-021 ----- 2A-021
2128	2A-022 ----- 2A-022
2129	2A-022 ----- 2A-022
2132	2A-022 ----- 2A-022
2133	2A-023 ----- 2A-023
2135	2A-023 ----- 2A-023
2136	2A-024 ----- 2A-026
2201	2B-001 ----- 2B-002
2204	2B-003 ----- 2B-003
2206	2B-003 ----- 2B-003
2207	2B-004 ----- 2B-005
2208	2B-006 ----- 2B-006
2210	2B-007 ----- 2B-007
2211	2B-007 ----- 2B-007
2213	2B-008 ----- 2B-008
2214	2B-008 ----- 2B-008
2215	2B-008 ----- 2B-008
2305	2C-001 ----- 2C-001
2306	2C-001 ----- 2C-001
2307	2C-002 ----- 2C-002
2308	2C-003 ----- 2C-003
2309	2C-004 ----- 2C-004
2310	2C-004 ----- 2C-004
2311	2C-005 ----- 2C-005
2312	2C-006 ----- 2C-006
2313	2C-006 ----- 2C-006
2315	2C-007 ----- 2C-007
2316	2C-008 ----- 2C-008
2317	2C-009 ----- 2C-009
2318	2C-010 ----- 2C-010
2328	2C-010 ----- 2C-010
2324	2C-011 ----- 2C-011
2326	2C-012 ----- 2C-012
2327	2C-012 ----- 2C-012
2330	2C-013 ----- 2C-013
2332	2C-013 ----- 2C-013
2338	2C-014 ----- 2C-014
2401	2D-001 ----- 2D-002
2402	2D-002 ----- 2D-002
2404	2D-003 ----- 2D-004
2405	2D-004 ----- 2D-004
2406	2D-005 ----- 2D-005
2407	2D-005 ----- 2D-006
2408	2D-007 ----- 2D-008
2409	2D-008 ----- 2D-008
2410	2D-009 ----- 2D-009
2411	2D-009 ----- 2D-009
2412	2D-010 ----- 2D-010
2414	2D-010 ----- 2D-010
2416	2D-011 ----- 2D-011
3101	3A-001 ----- 3A-001

产品编号 : Product code	页码 : Page number
3201	3B-001 ----- 3B-001
3202	3B-002 ----- 3B-002
3203	3B-002 ----- 3B-002
3204	3B-003 ----- 3B-003
3205	3B-003 ----- 3B-003
3206	3B-004 ----- 3B-004
3207	3B-005 ----- 3B-005
3301	3C-001 ----- 3C-001
3302	3C-002 ----- 3C-002
3303	3C-002 ----- 3C-002
3305	3C-003 ----- 3C-003
3307	3C-003 ----- 3C-003
3306	3C-004 ----- 3C-004
3401	3D-001 ----- 3D-001
3501	3E-001 ----- 3E-001
6101	6A-001 ----- 6A-001
6102	6A-002 ----- 6A-002
6103	6A-002 ----- 6A-002
6104	6A-003 ----- 6A-003
6105	6A-004 ----- 6A-004
6106	6A-005 ----- 6A-005
6201	6B-001 ----- 6B-001
6301	6C-001 ----- 6C-001
7201	7B-001 ----- 7B-001
7202	7B-001 ----- 7B-001
7203	7B-001 ----- 7B-001
7204	7B-002 ----- 7B-002
7205	7B-002 ----- 7B-002
7206	7B-002 ----- 7B-002
7207	7B-002 ----- 7B-002
7301	7C-001 ----- 7C-001
7302	7C-001 ----- 7C-001
7303	7C-001 ----- 7C-001
9100	9A-001 ----- 9A-004
9200	9B-001 ----- 9B-001
9301	9C-001 ----- 9C-002
9405	9D-001 ----- 9D-001
9401	9D-001 ----- 9D-003
9501	9E-001 ----- 9E-002
9606	9F-001 ----- 9F-001