

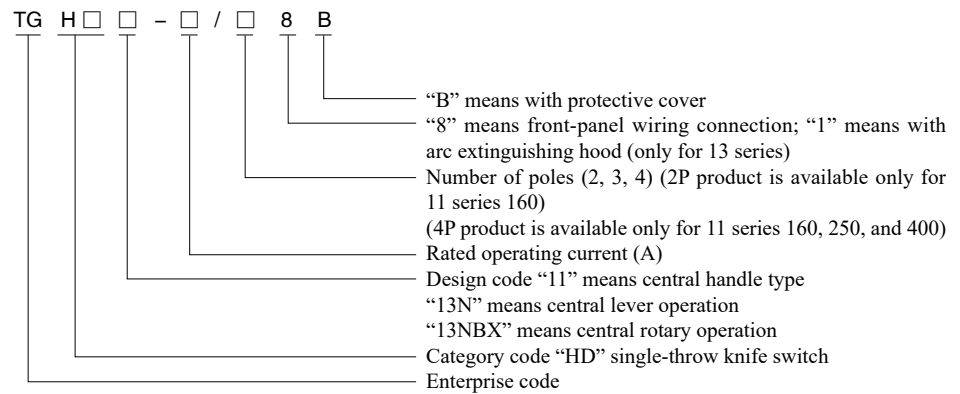
TGHD Series Switch Disconnecter



1 Overview

TGHD series is a new product developed by our company on the basis of HD series, and is an ideal substitute product for HD series, greatly improving the personal safety protection to prevent accidental electric shock. This series of products is primarily used in low-voltage power distribution equipment for infrequent manual disconnection, disconnection and isolation of switch.

2 Type Designation



3 Technical Parameters

Table 1

Resistive current I_{th} (A)	160	250	400	630	1000	1600
Rated operating current I_e (A)	63、80 100、160	200 250	400	600 630	800 1000	1250 1600
Rated short time withstand current I_{ew} (kA/s)	5	10	15	25	12	19.2
Rated operating voltage U_e (V)	415/690/800					
Rated insulation voltage U_i (V)	1000					
Rated impulse withstand voltage U_{imp} (kV)	12					
Usage category	AC-20A / AC-21A				AC-20A / AC-21B	
Mechanical life (times)	10000					

Note: TGHD11N series has 160 frame, and TGHD13N has no 160 frame.

4 Operating Conditions

4.1 The ambient air temperature is not higher than +40°C, and not below 5°C.

4.2 The altitude at the installation site does not exceed 2000m.

4.3 Humidity:

When the maximum temperature is +40°C, the relative humidity of air does not exceed 50%. A higher relative humidity is allowed at low temperatures, such as up to 90% at 20°C. Special measures are taken for condensation occurred occasionally due to temperature changes.

4.4 The Pollution degree of the surrounding environment is Level 3;

4.5 The switch shall be vertically installed in a place where there is no obvious shaking, impact vibration and rain and snow immersion and where there is no explosive danger medium that there is no gas or dust sufficient to cause metal corrosion and damage to the insulation.

TGHD Series Switch Disconnecter

5 Outline and Installation Dimensions

5.1 TGHD11N Outline and Installation Dimensions (see Fig. 1, Table 2)

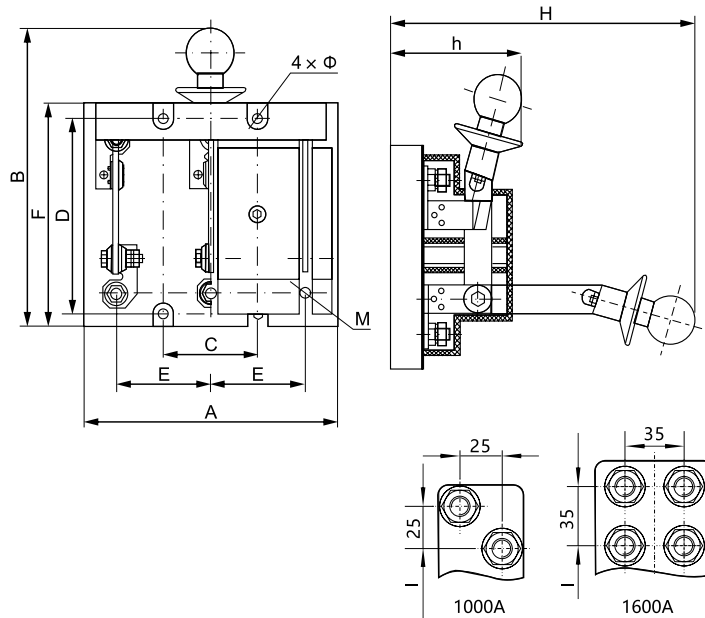


Fig. 1

Table 2

Model & Spec.	160			250		400		630	1000	1600
	2P	3P	4P	3P	4P	3P	4P	3P	3P	3P
A	78	118	158	170	200	195	235	225	280	320
B	160	160	160	195	195	250	250	255	325	370
C	/	40	80	60	100	70	120	80	100	110
D	100	100	100	140	140	140	140	140	140	140
E	40	40	40	60	50	70	60	80	100	110
F	120	120	120	158	158	180	180	195	280	320
H	178	178	178	210	210	260	260	265	320	360
I	—	—	—	—	—	—	—	—	205	220
h	82	82	82	105	105	115	115	125	150	173
M	6	6	6	8	8	10	10	12	12	12
φ	7	7	7	6.5	6.5	6.5	6.5	8.5	9	9

Note: The dimensions of TGHD11N-100 product are same as those of TGHD11N-160.

TGHD Series Switch Disconnecter

5.2 TGHD13N-250~1600 Outline and Installation Dimensions (see Fig. 2, Table 3)

Fig. 2

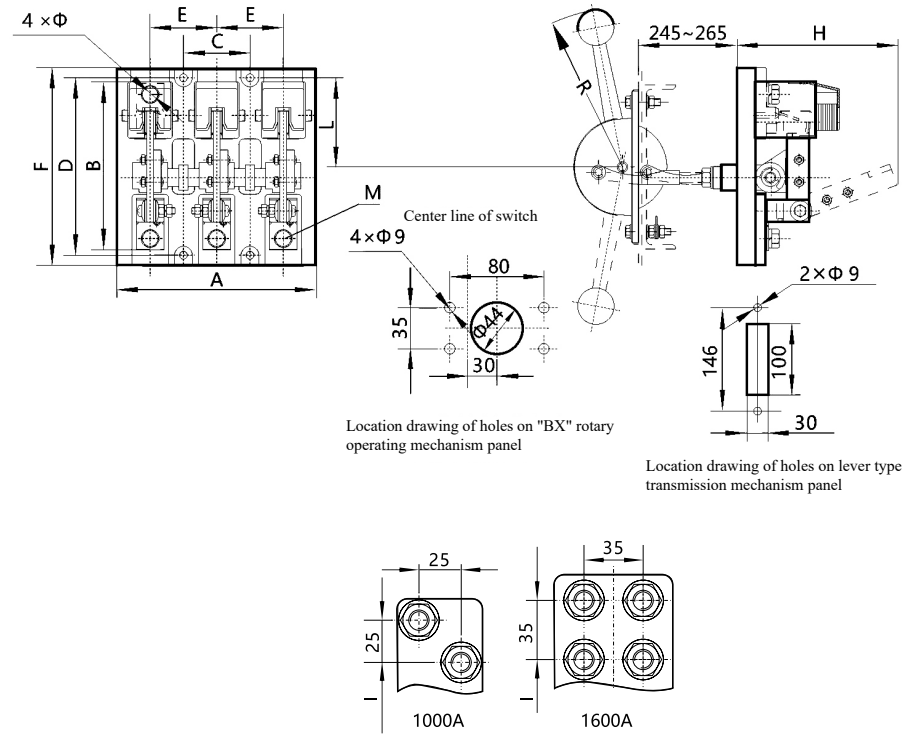


Table 3

Model & Spec.	250	400	630	1000	1600
	3P	3P	3P	3P	3P
A	180	204	232	282	322
B	150	200	224	300	340
C	60	70	80	100	110
D	160	160	160	160	160
E	60	70	80	100	110
F	178	200	224	185	195
H	160	185	190	235	260
I	—	—	—	225	240
L	78	80	80	82	83
R	180	180	180	230	230
M	8	10	12	12	12
φ	7	7	9	9	9

TGHD Series Switch Disconnecter

5.3 Fixed Thickness of TGHD11N Mounting Plate and Distance from the Busbar to the Mounting Plate (Fig. 3, Table 4)

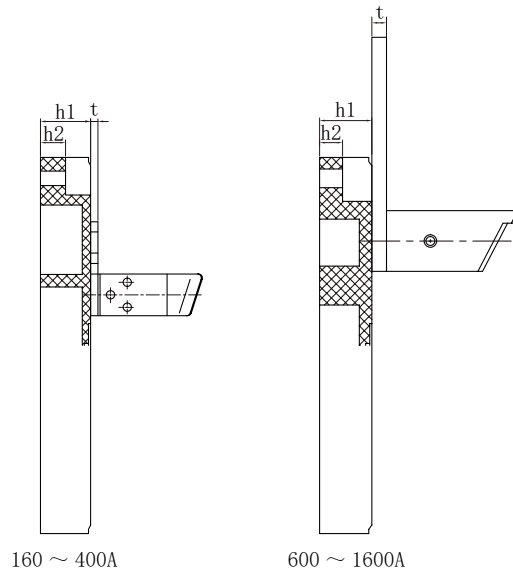


Fig. 3

Table 4

Model & Spec.	160	250	400	630	1000	1600
h1	25	24	24	25	30	30
h2	7	7	22	22	11	14
t	1.5	1.5	2	3	7	8
Busbar width	18	20	30	40	50	70

TGHD Series Switch Disconnecter

5.4 Fixed Thickness of TGHD13N Mounting Plate and Distance from the Busbar to the Mounting Plate (Fig. 4, Table 5)

Fig. 4

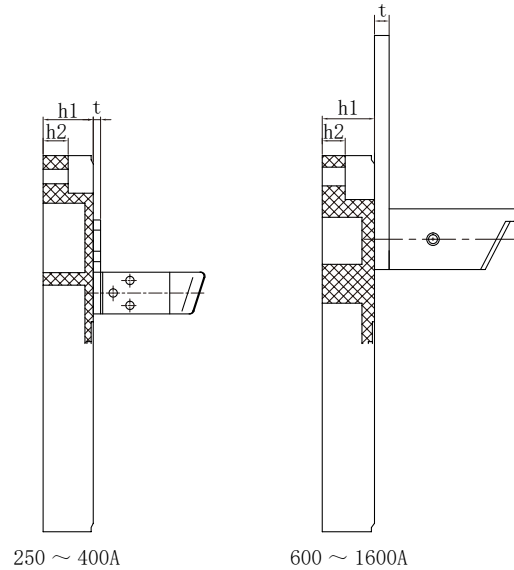


Table 5

Model & Spec.	250	400	630	1000	1600
h1	25	25	25	30	30
h2	8	19	22	11	14
t	1.5	2	3	7	8
Busbar width	20	30	40	50	70

6 Ordering Notice

Please specify the model, features, voltage grade, current grade, number of poles, operation method, and quantity of the switch when ordering. For special orders, please contact the company's technical department.

For example: TGHD11N-100 / 38B 10 units.

TGHD13N-250 / 31 10 units