

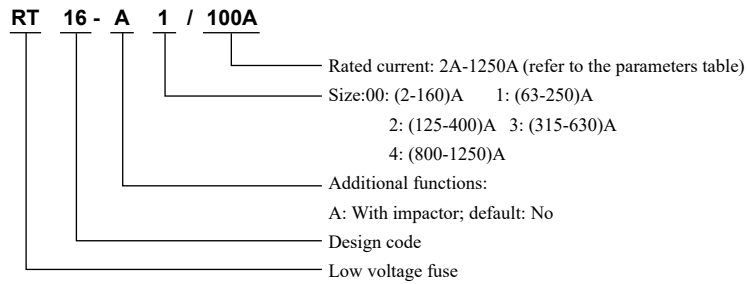
RT16 Series Low voltage Fuses

1 Overview

RT16 series low voltage fuses has the advantages of small size, light weight, low power consumption and high breaking capacity, and is used in AC power distribution device with rated frequency 50Hz, rated voltage up to C500V/AC690V and below, and with rated current up to 1250A for overload and short-circuit protection. Also, the product with an “impactor” function is selected and used in the electrical devices such as power distribution device for signal output in case of product fusing.

Standard: IEC60269-2.

2 Type Designation



3 Technical Parameters

| Model | Similar models at home and abroad | Rated current (A) | Rated voltage (V) | Rated power dissipation (W) | Rated breaking capacity (W) |
|---------|-----------------------------------|-------------------|-------------------|-----------------------------|-----------------------------|
| RT16-00 | RT36-00 NT00 | 2 | 500/690 | 1.3 | 120/50 |
| | | 4 | | 1.5 | |
| | | 6 | | 1.6 | |
| | | 8 | | 1.7 | |
| | | 10 | | 1.8 | |
| | | 16 | | 2.1 | |
| | | 20 | | 2.5 | |
| | | 25 | | 3.1 | |
| | | 32 | | 3.6 | |
| | | 40 | | 4.0 | |
| | | 50 | | 5.3 | |
| | | 63 | | 6.2 | |
| | | 80 | | 6.9 | |
| | | 100 | | 10.0 | |
| RT16-1 | RT16-1 NT1 | 80 | 500/690 | 8.4 | 120/50 |
| | | 100 | | 12.3 | |
| | | 125 | | 13.7 | |
| | | 160 | | 16.6 | |
| | | 200 | | 21.2 | |
| RT16-2 | RT16-2 NT2 | 250 | 500/690 | 23.0 | 120/50 |
| | | 125 | | 21.7 | |
| | | 160 | | 23.1 | |
| | | 200 | | 26.8 | |
| | | 224 | | 29.1 | |
| | | 250 | | 31.2 | |
| | | 315 | | 32.5 | |
| RT16-3 | RT36-3 NT3 | 350 | 500/690 | 33.6 | 120/50 |
| | | 400 | | 34.0 | |
| | | 315 | | 34.5 | |
| | | 400 | | 38.0 | |
| RT16-4 | RT36-4 NT4 | 500 | 500/690 | 45.3 | 120/50 |
| | | 630 | | 48.0 | |
| | | 800 | | 75.3 | |
| | | 800 | | 75.3 | |
| RT16-4 | RT36-4 NT4 | 1000 | 500/690 | 91.5 | 120/50 |
| | | 1250 | | 110 | |
| | | 1250 | | 110 | |

RT16 Series Low voltage Fuses

4 Operating

4.1 Ambient temperature: Not greater than 40°C; the average measured within 24h does not exceed 35°C, and measured within one year is below this value. The minimum value of ambient air temperature is -5°C.

4.2 Altitude: Not exceed 2,000 meters.

4.3 Atmospheric conditions: The air is clean, and its relevant humidity does not exceed 50% at the maximum temperature 40°C; a higher relevant humidity is allowed at the lower temperature. For example, the relevant humidity can reach 90% at 20°C; the middle condensation may occur occasionally due to the temperature changes under those conditions.

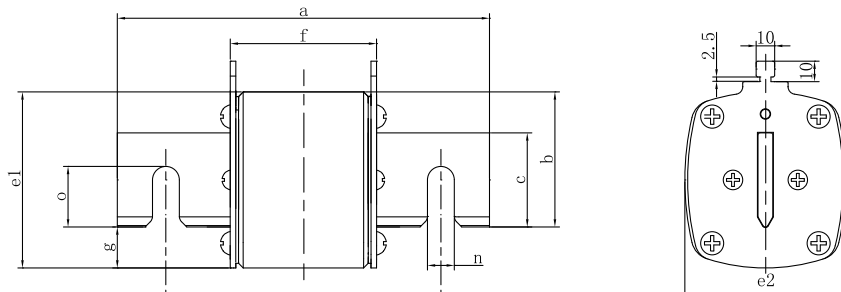
4.4 Pollution degree: 3.

4.5 Installation category: Class III.

4.6 If the use conditions are different from the above, please contact the manufacturer.

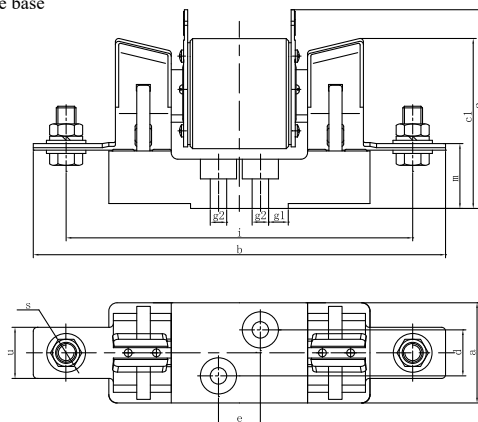
5 Outline and Installation Dimensions

5.1 Fuse dimensions



| Model | Size(mm) | | | | | | | | | | |
|----------|----------|--------|------|----------|----------|--------|------|---------|---------|------|------|
| | a | b | c | e1 | e2 | f | g | H | m | n | o |
| RT16Z-00 | 78.5±2 | 35±1.5 | 15±1 | 45±1 | 28.5±1.5 | 49±1.5 | 13±2 | 5.9±0.2 | - | - | - |
| RT16Z-1 | 133±3 | 40±1.5 | 20±1 | 48±1.5 | 48±1.5 | 67±3 | 13±2 | 5.9±0.2 | - | - | - |
| RT16Z-2 | 148±3 | 48±1.5 | 26±1 | 58±1.5 | 58±1.5 | 67±3 | 13±2 | 5.9±0.2 | - | - | - |
| RT16Z-3 | 148±3 | 60±2.5 | 32±1 | 66.5±1.5 | 66.5±1.5 | 67±3 | 16±2 | 5.9±0.2 | - | - | - |
| RT16Z-4 | 203±3 | 83±2.5 | 50±1 | 93±2 | 88±3 | 90±3 | 20±2 | 7.8±0.2 | 150±3.0 | 15±1 | 33±1 |
| RT16Z-4a | 202±3 | 83±2.5 | 50±1 | 108±2 | 95±3 | 88±3 | 26±2 | 7.8±0.2 | 150±2.0 | 15±1 | 33±1 |

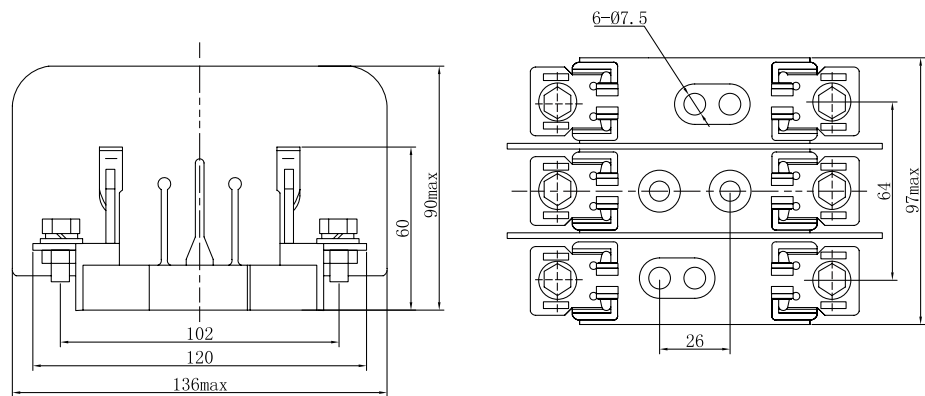
5.2 Outline dimensions of fuse base



RT16 Series Low voltage Fuses

| Size | RT16-00 | RT16-0 | RT16-1 | RT16-2 | RT16-3 | RT16-4 |
|------|---------|--------|--------|--------|--------|--------|
| a | 30 | 30 | 58 | 64 | 64 | 88 |
| b | 120 | 170 | 200 | 225 | 250 | 304 |
| c1 | 60 | 73 | 82 | 98 | 105 | 145 |
| c2 | 85 | 93 | 96 | 112 | 120 | 165 |
| d | 0 | 0 | 30 | 30 | 30 | 45 |
| e | 25 | 25 | 25 | 25 | 25 | 30 |
| g1 | 8 | 16 | 15 | 17 | 17 | 4 |
| g2 | 7.5 | 7.5 | 10.5 | 10.5 | 10.5 | 13 |
| i | 100 | 150 | 175 | 200 | 210 | 260 |
| m | 25 | 38 | 38 | 40 | 40.5 | 47.5 |
| s | M8 | M8 | M10 | M12 | M12 | M16 |
| u | 25 | 25 | 25 | 30 | 40 | 45 |

5.3 RT16-00 series 3P base installation dimensions



(RT16-00 3P base)

6 Ordering Notice

6.1 Please specify the following items when ordering:

- 6.1.1 Specify the product mode, rated current, and quantity of fuse.
- 6.1.2 Specify the model, specification, seat, and order quantity of seat.

6.2 Order example:

- For RT16-00/100A, 100 sets, indicate 100 RT16-00 fuses with rated current of AC 100A are ordered.
- For RT16-00 (base), 100 pcs, indicate 100 pieces of RT16-00 AC fuse base are ordered.