

LXW5 Series Micro Switch



1 Overview

LXW5 series micro switch is suitable for AC 50Hz control line with a rated voltage up to 380V or with a DC voltage up to 220V for stroke control, interlocking and limit protection of various mechanical devices.



2 Type Designation

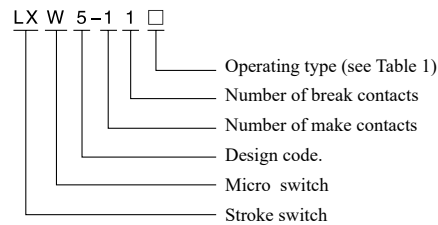


Table 1

Mark	Meaning
D1	Short-spring plunger type
G1	Hinged roller long-lever type
G3	Hinged roller short-lever type
G2	Hinged roller middle-lever type
M	Panel-mounted plunger type
N1	Hinged long-lever type
N2	Hinged short-lever type
Q1	Panel-mounted roller plunger type
Q2	Panel-mounted cross roller plunger type
Z	Push-rod plunger type

3 Technical Parameters

3.1 Technical data see Table 2

Table 2

Model	Rated voltage (V)	Rated control capacity	Resistive current (A)
LXW5	AC 380、220、110	AC100VA	3
	DC 220、110、24	DC10W	



3.2 Operating parameters see Table 3

Table 3

Model	Action force (N)	Reset force (N)
LXW5-11D	1~3.5	>0.8
LXW5-11M	2.5~5.3	>1
LXW5-11Q1	2~3.8	>1
LXW5-11Q2	2~3.8	>1
LXW5-11N1	0.3~0.8	>0.15
LXW5-11N2	0.5~1	>0.25
LXW5-11G1	0.35~0.85	>0.15
LXW5-11G2	0.8~1.6	>0.25
LXW5-11G3	0.4~0.9	>0.2

LXW5 Series Micro Switch

4 Operating Conditions

- 4.1 Ambient temperature: $-5^{\circ}\text{C}\sim+40^{\circ}\text{C}$.
- 4.2 Altitude: Not exceed 2,000 meters.
- 4.3 Atmospheric conditions: The relative humidity does not exceed 50% when the ambient temperature is $+40^{\circ}\text{C}$; higher relative humidity is allowed at a lower temperature. The mean maximum relative humidity of the wettest month is 90%, and the mean month minimum temperature of this month is $+25^{\circ}\text{C}$, and condensation on the product surface due to temperature changes shall be considered.
- 4.4 Pollution degree: 3.
- 4.5 Installation category: Class II, mounted at any angle.



5 Outline and Installation Dimensions

Outline and installation dimensions of the micro switch see Fig. 1 to Fig. 10.

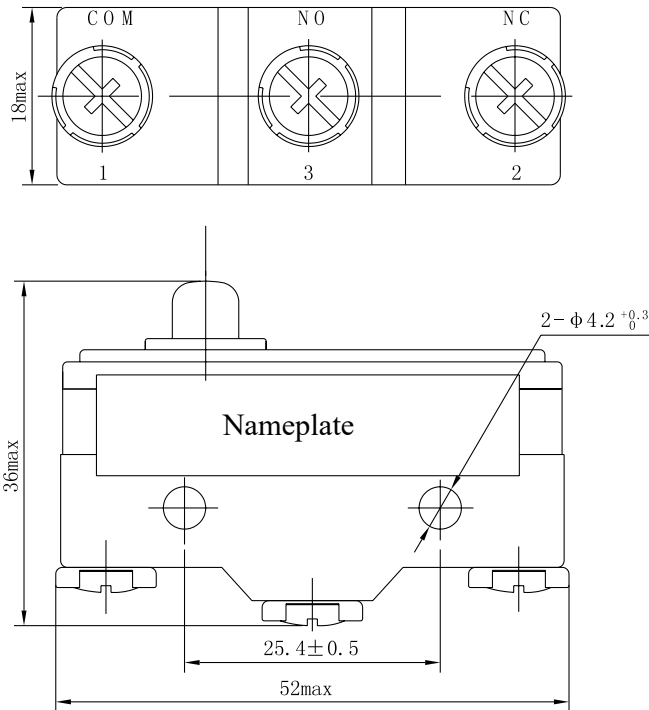


Fig. 1 LXW5-11D1

LXW5 Series Micro Switch

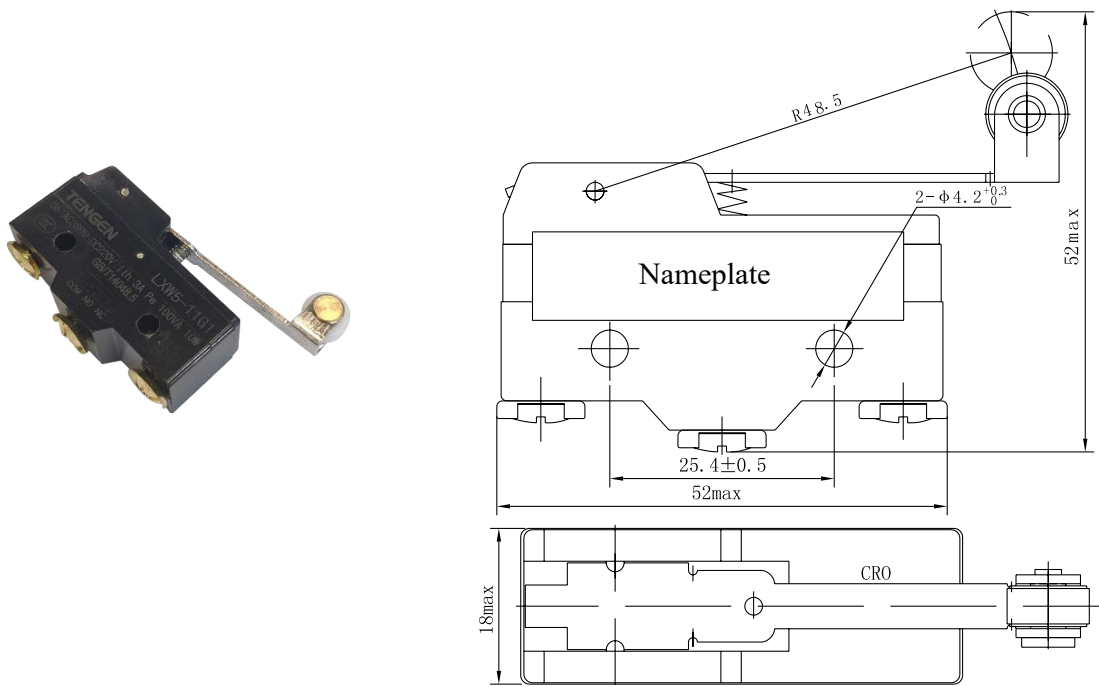


Fig. 2 LXW5-11G1

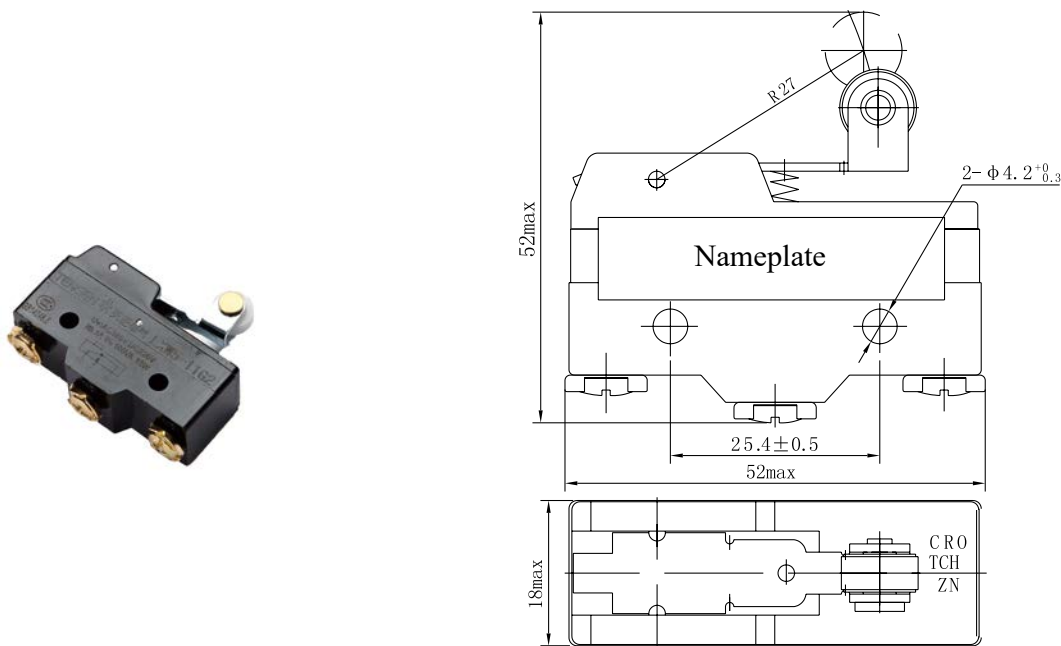


Fig. 3 LXW5-11G2

LXW5 Series Micro Switch

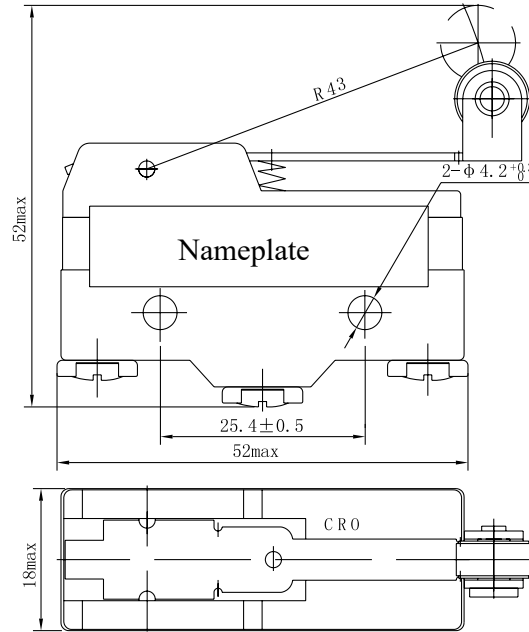


Fig. 4 LXW5-11G3

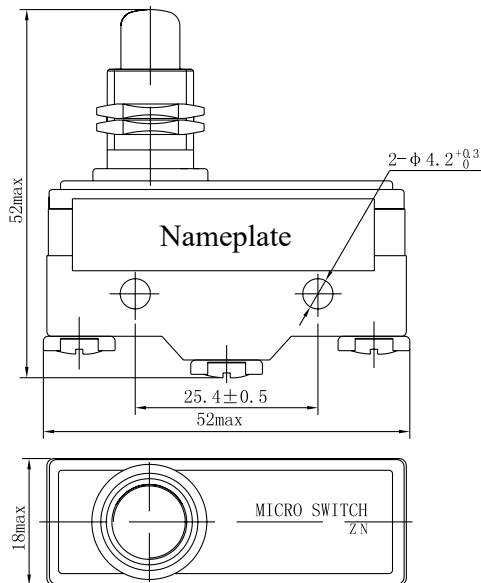


Fig. 5 LXW5-11M

LXW5 Series Micro Switch

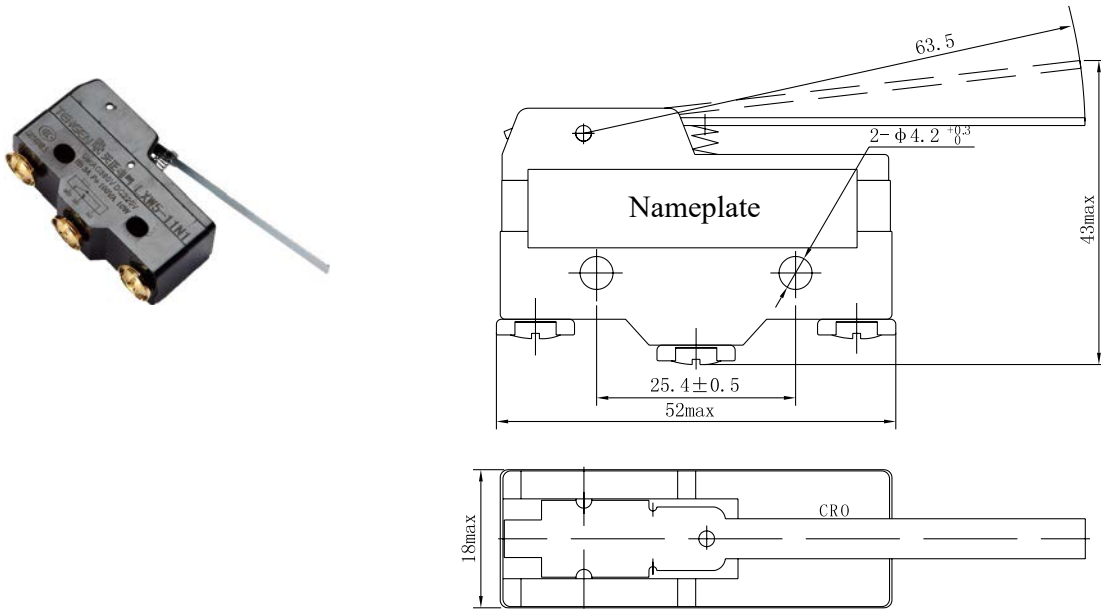


Fig. 6 LXW5-11N1

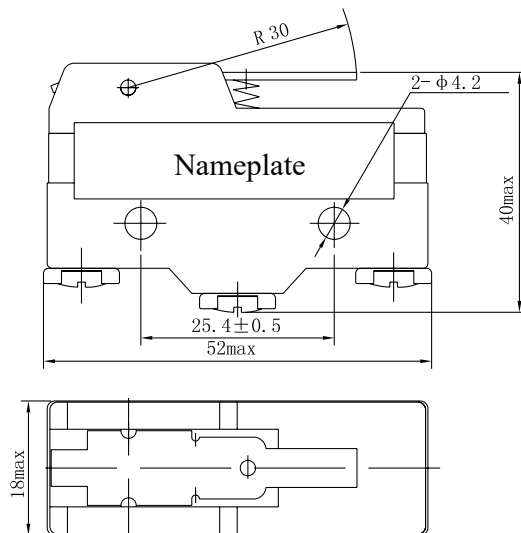


Fig. 7 LXW5-11N2

LXW5 Series Micro Switch

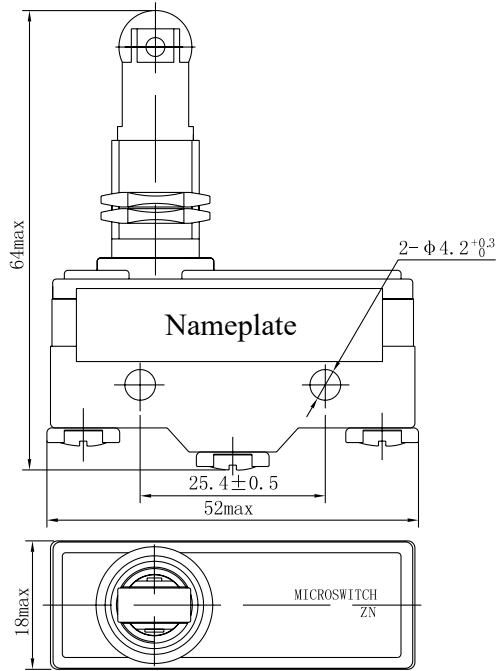


Fig. 8 LXW5-11Q1

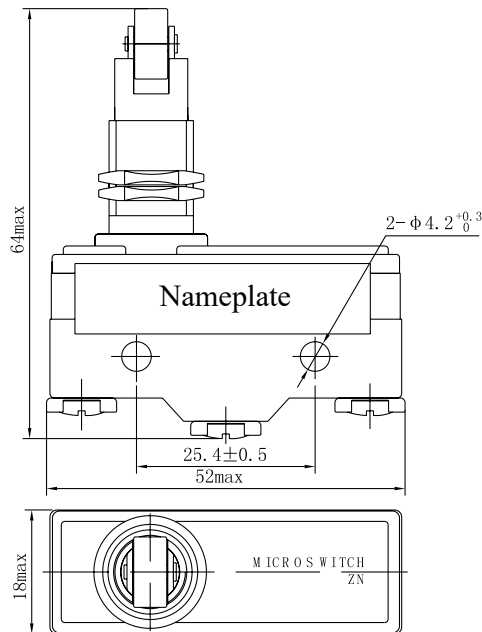


Fig. 9 LXW5-11Q2

LXW5 Series Micro Switch

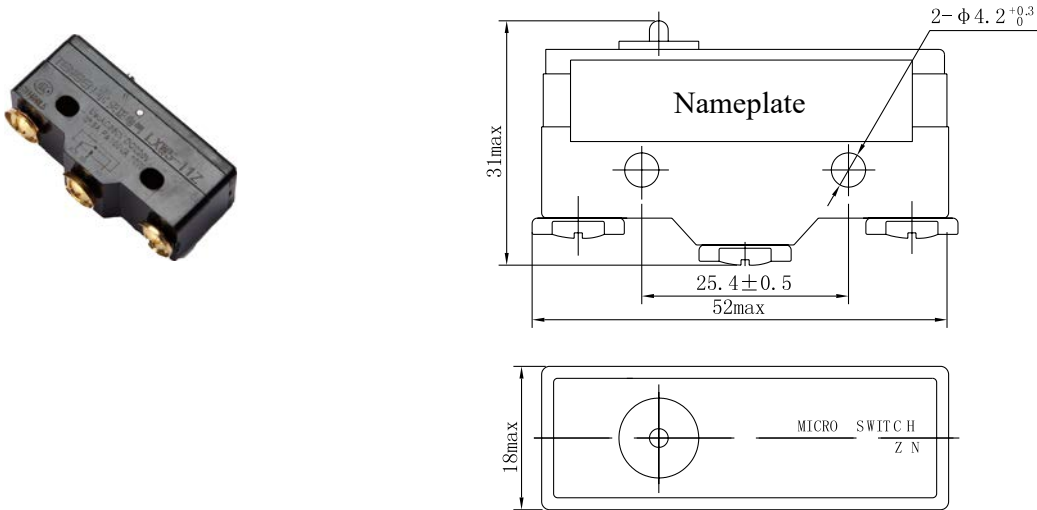


Fig. 10 LXW5-11Z

6 Ordering Notice

Please specify the following items when ordering the product from our company:

- a.Product model and name
- b.Order quantity.