

ME Series Stroke Switch



1 Overview

ME series stroke switch is used in AC 50Hz circuit with a rated voltage up to 380V or a DC voltage up to 220V and with a current 5A for automatic control of the machine machinery and for moving mechanism action limit and program control.

2 Type Designation

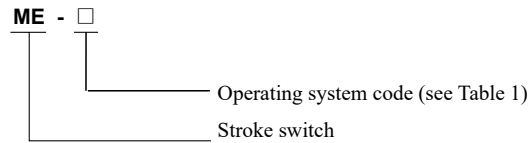


Table 1

Operating system code	Operating method
8104	Roller rotary arm
8107	Adjustable rotary rod
8108	Adjustable roller rotary rod
8111	Direct-pressure plunger type
8112	Direct-pressure plunger lateral wheel
8122	Direct-pressure plunger vertical wheel
8166	Universal spring soft rod(Plastic head)
8169	Universal spring soft rod(Steel wire head)
9101	Universal spring soft rod(Metal head)

3 Technical Parameters

- 3.1 Rated insulation voltage U_i : 380V
- 3.2 Resistive current I_{th} : 5A
- 3.3 Rated working voltage U_e : AC 380V, DC 220V.
- 3.4 Rated working current I_e : AC 0.8A, DC 0.16A.
- 3.5 Rated control capacity: AC300VA, DC20W.
- 3.6 Operating parameters see Table.

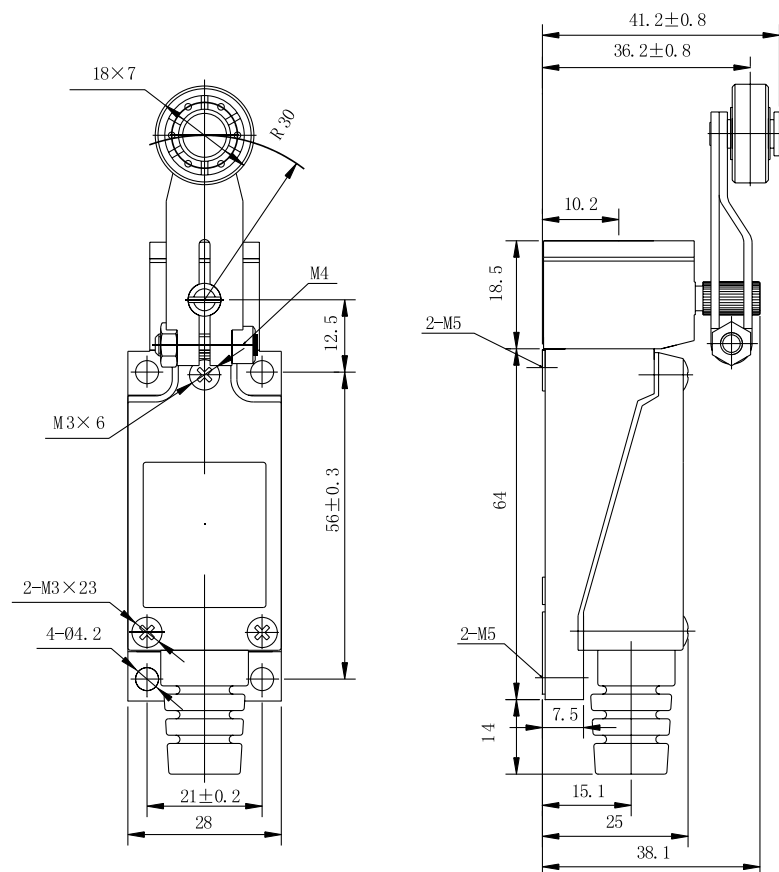
Model	Operating method	Action travel	Full travel	Operating force
ME-8104	Roller rotary arm	$\leq 20^\circ$	$\geq 75^\circ$	$\leq 6N$
ME-8107	Adjustable rotary rod			$\leq (3.4 \sim 8)N$
ME-8108	Adjustable roller rotary rod			$\leq (2 \sim 8)N$
ME-8111	Direct-pressure plunger type	$\leq 1.5mm$	$\geq 4mm$	$\leq 9N$
ME-8112	Direct-pressure plunger lateral wheel			
ME-8122	Direct-pressure plunger vertical wheel			
ME-8166	Universal spring soft rod	$\leq 30mm$	-	$\leq 0.9N$
ME-8169				
ME-9101				

ME Series Stroke Switch

4 Operating Conditions

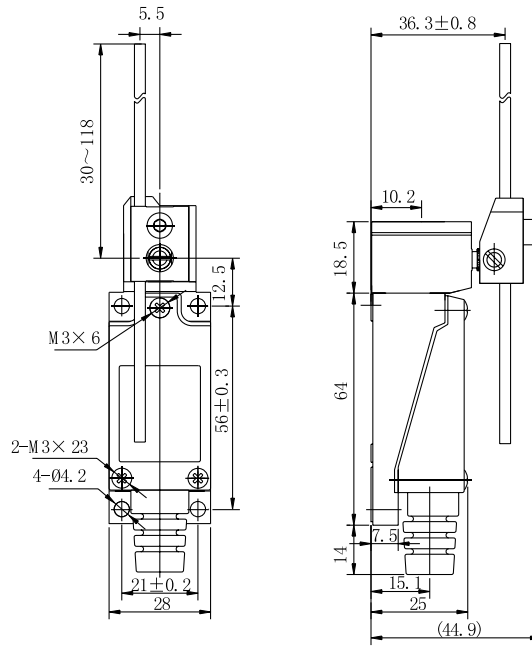
- 4.1 Ambient temperature: $-5^{\circ}\text{C}\sim+40^{\circ}\text{C}$.
- 4.2 Altitude: Not exceed 2,000 meters.
- 4.3 Atmospheric conditions: The relative humidity does not exceed 50% when the ambient temperature is $+40^{\circ}\text{C}$; higher relative humidity is allowed at a lower temperature. The mean maximum relative humidity of the wettest month is 90%, and the mean month minimum temperature of this month is $+25^{\circ}\text{C}$, and condensation on the product surface due to temperature changes shall be considered.
- 4.4 Pollution degree: 2.
- 4.5 Installed at a place where there is no obvious shaking, impact or vibration.
- 4.6 Install before or after the plate, fixed with screws, and mounted at any angle.

5 Outline and Installation Dimensions

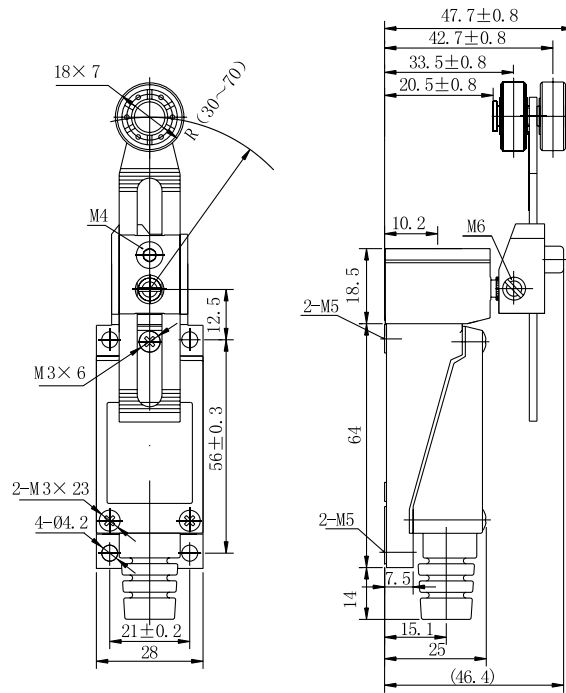


ME-8104

ME Series Stroke Switch

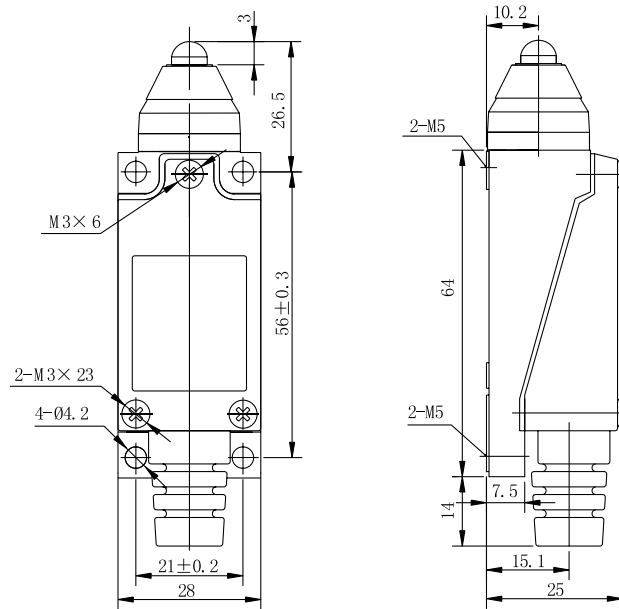


ME-8107

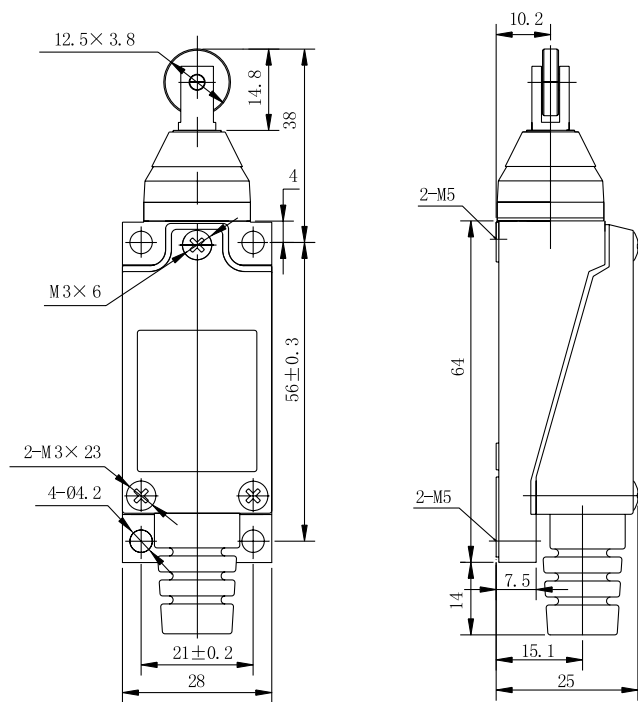


ME-8108

ME Series Stroke Switch

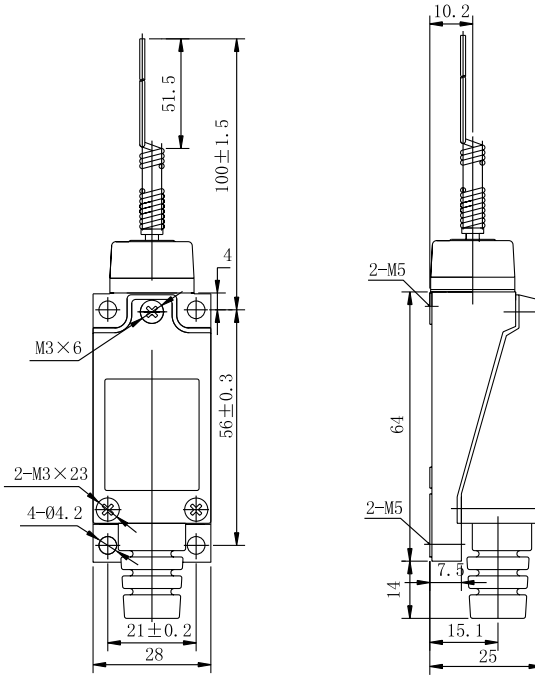


ME-8111

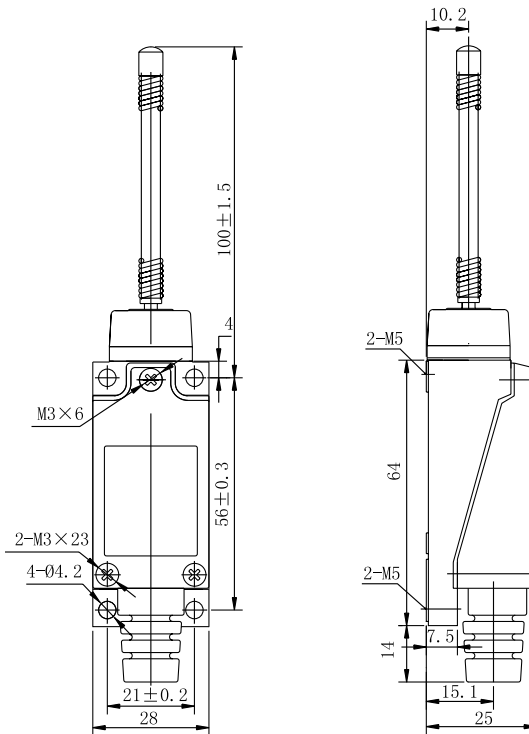


ME-8112

ME Series Stroke Switch

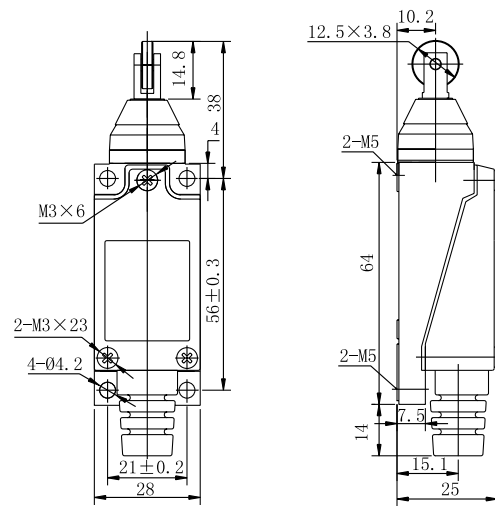


ME-8169

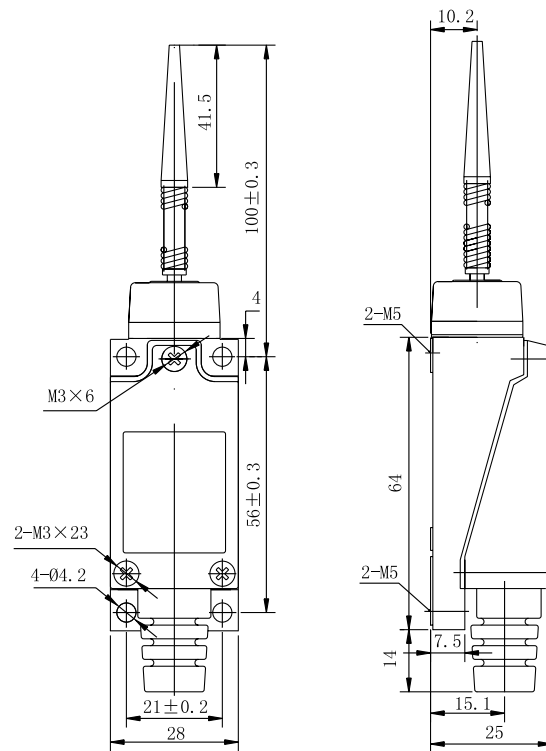


ME-9101

ME Series Stroke Switch



ME-8122



ME-8166

6 Ordering Notice

Please specify the following items when ordering the product from our company:

- a. Product model and name
- b. Order quantity.