

RT18G-PV DC Photovoltaic Fuse

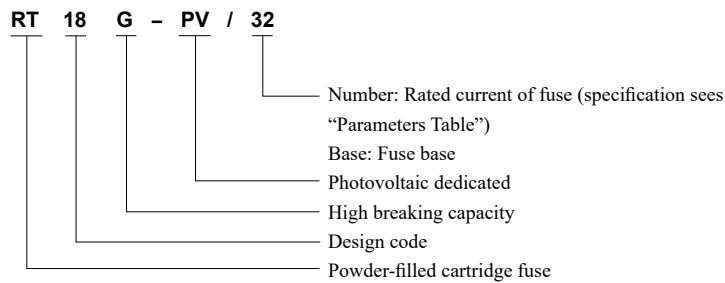


1 Overview

RT18G-PV series DC photovoltaic fuse is suitable for photovoltaic system with rated voltage up to DC1500V, rated current up to 50A, and rated breaking capacity 30kA for overload and short-circuit protection; breaking range and usage category is gPV.

Standard: IEC 60269-6

2 Type Designation



3 Operating Conditions

3.1 Ambient temperature: -40°C~+125°C.

Refer to air temperature directly surrounding the fuse rather than room temperature. In many applications, the fuse has quite high temperature, because the fuse is used in supports or base of different structure, and the entire fuse is installed in a closed power distribution box or control cabinet;

3.2 Altitude: Not exceed 2,000 meters;

3.3 Atmospheric conditions: The air is clean, and its relative humidity does not exceed 50% at the maximum temperature 60°C; a higher relative humidity is allowed at a low temperature. For example, the relative humidity can be up to 85% and the maximum relative humidity can be up to 90% at 20°C; the middle condensation may occur occasionally due to temperature changes under those conditions.

3.4 Pollution degree: 3.

3.5 Installation category: III.

3.6 Installation site: The fuse shall be installed in places where there is no obvious shaking or impact vibration;

3.7 If the working conditions are different from the above, please contact the manufacturer.

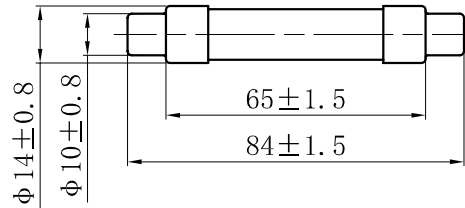
4 Technical Parameters

Model	Rated voltage (V)	Rated current (A)	Power dissipation (W)	Rated breaking capacity (kA)
RT18G-PV	DC1500	2A, 4A, 6A, 8A, 10A, 12A, 15A, 16A, 20A, 25A, 30A, 32A, 40A, 45A, 50A	≤8	30

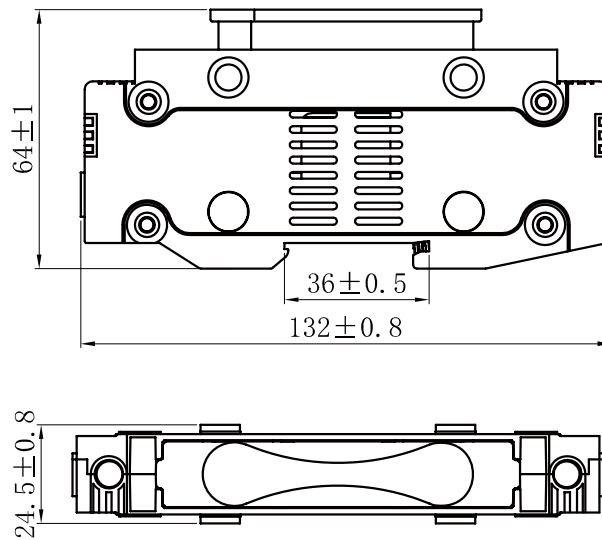
RT18G-PV DC Photovoltaic Fuse

5 Outline and Installation Dimensions

Fuse dimensions

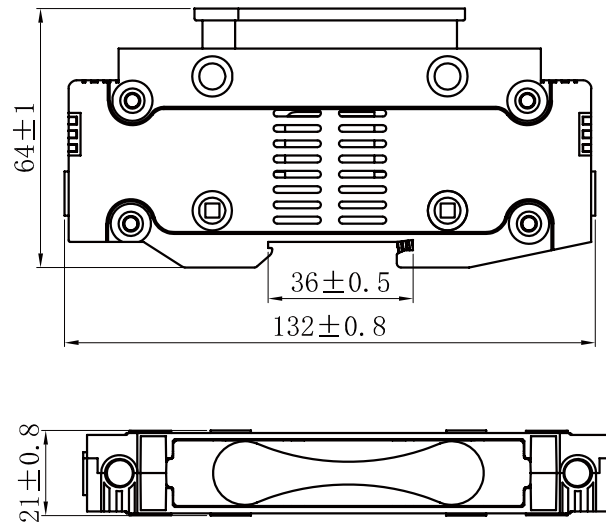


Fuse base (with a spacer plug) dimensions



RT18G-PV DC Photovoltaic Fuse

Fuse base (without a spacer plug) dimensions



6 Ordering Notice

6.1 Please specify the product model, rated current or base, order quantity

6.2 Order example: To order RT18G-PV/20V 100 pcs, indicating 100 pcs RT18G-PV fuses with rated current 20A

To order RT18G-PV/base 100pcs, indicating 100 pcs RT18G-PV fuse bases